



**NEW LIFE**

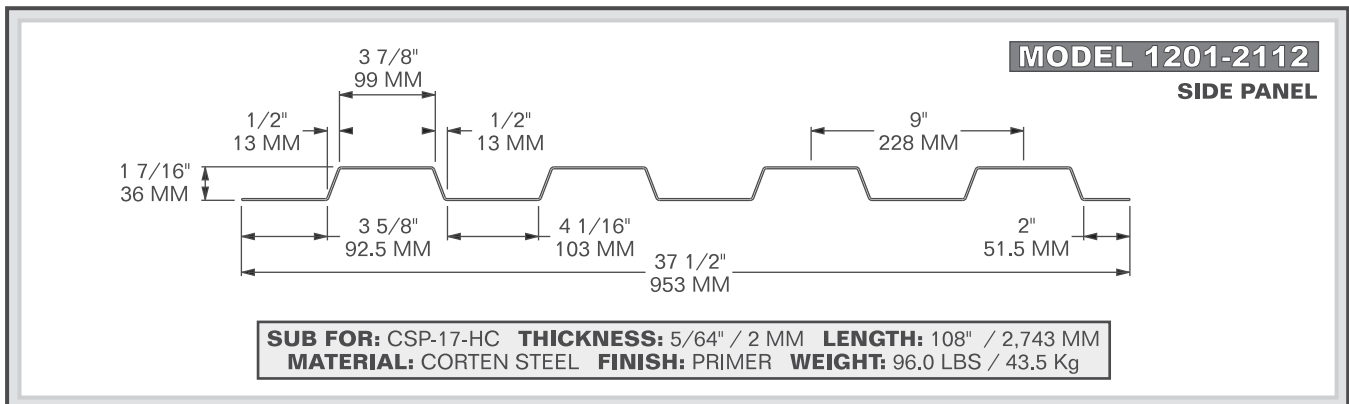
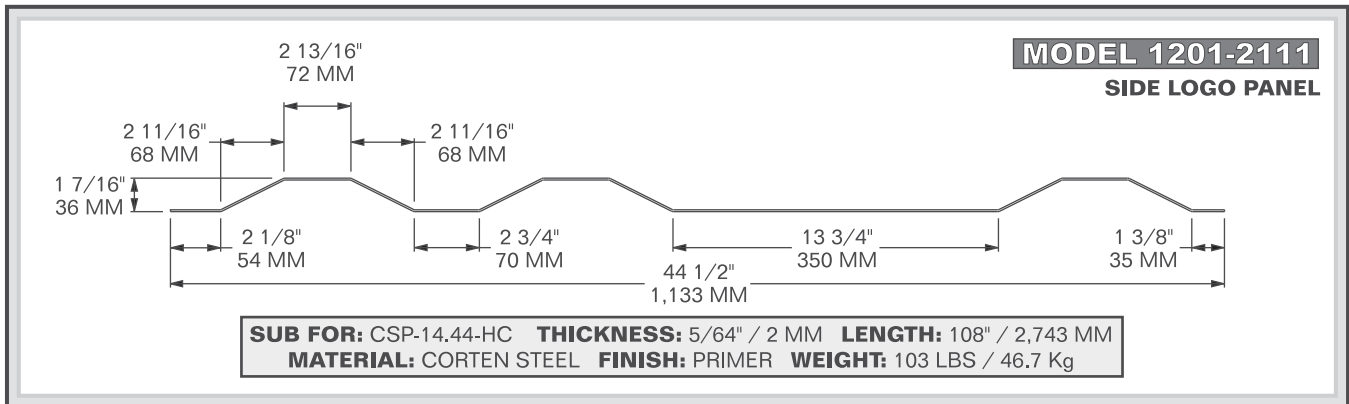
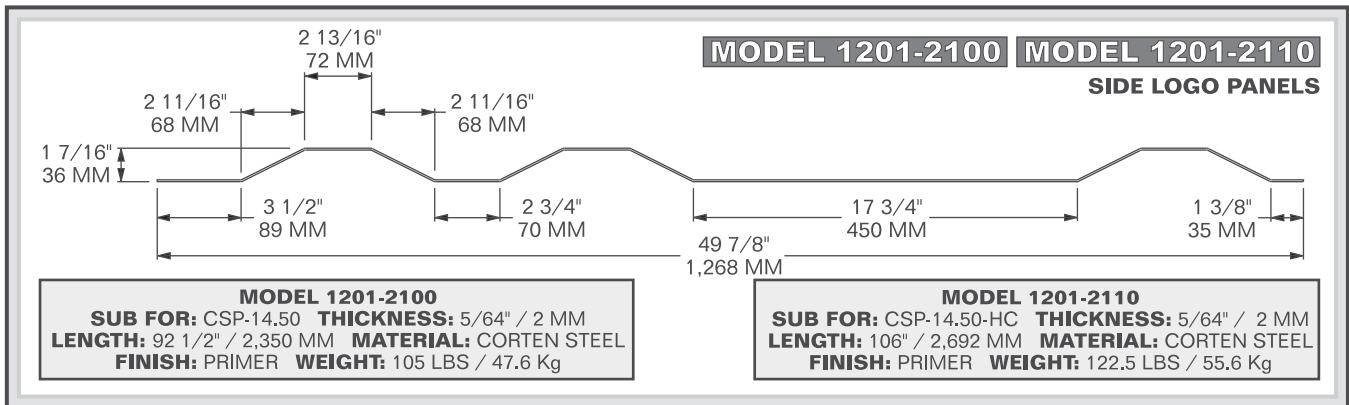
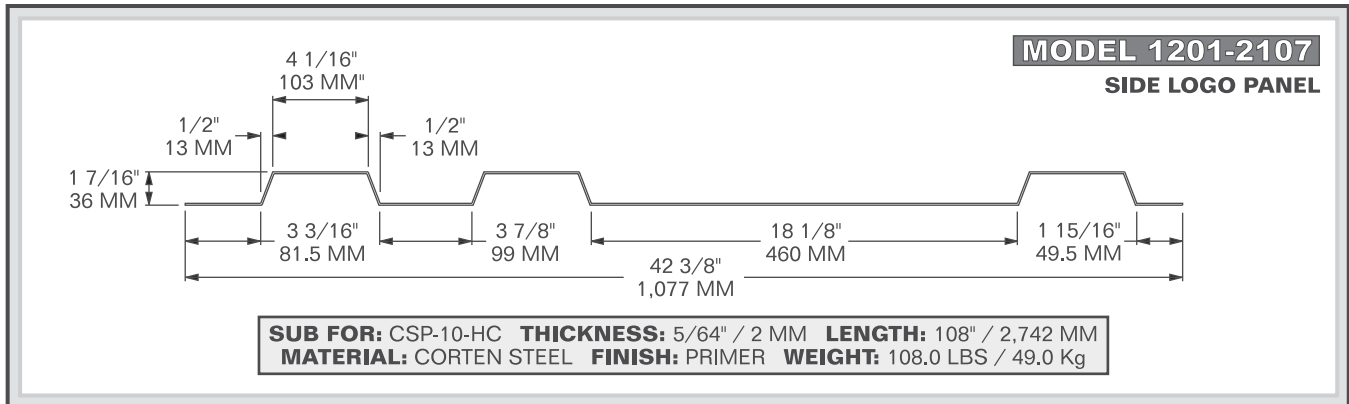
**TRANSPORT PARTS CENTER**

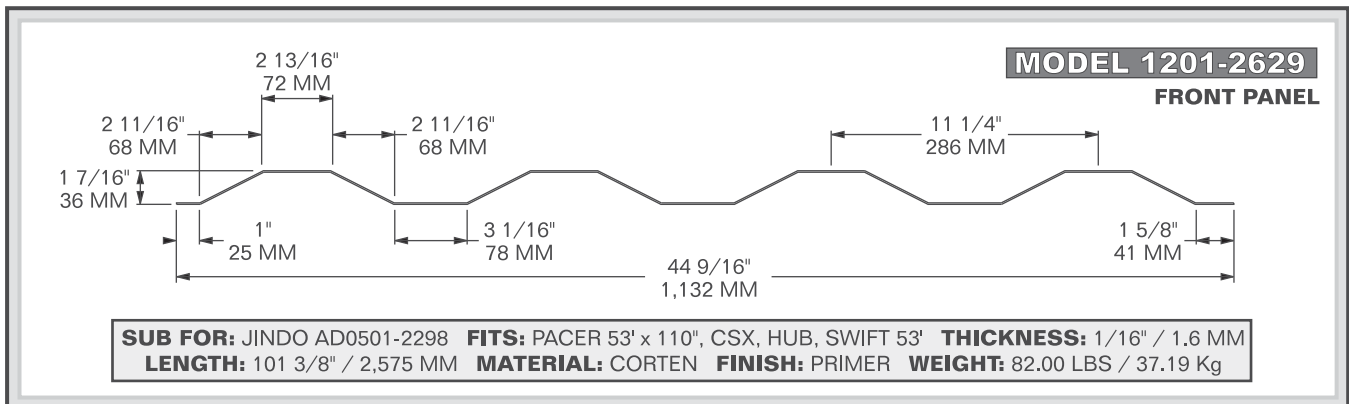
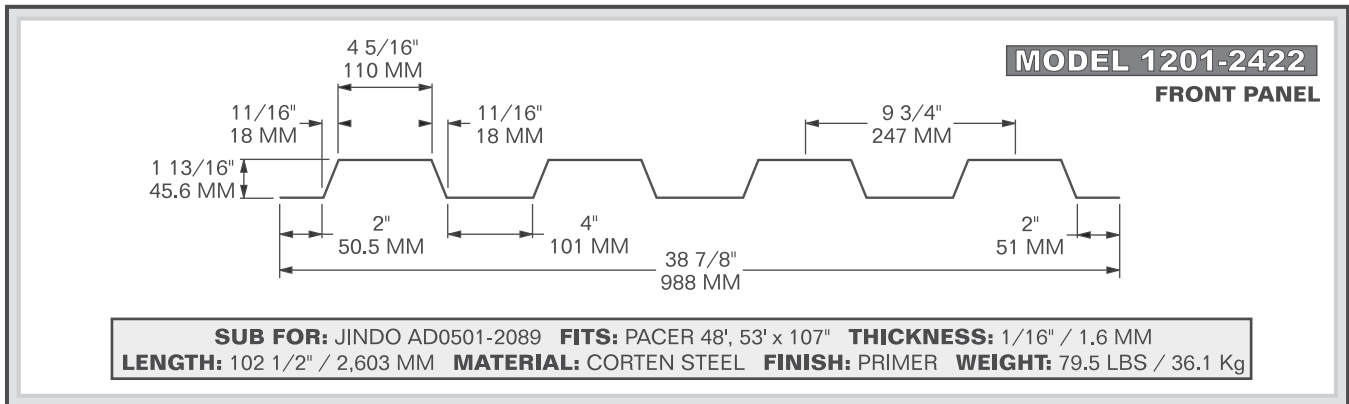
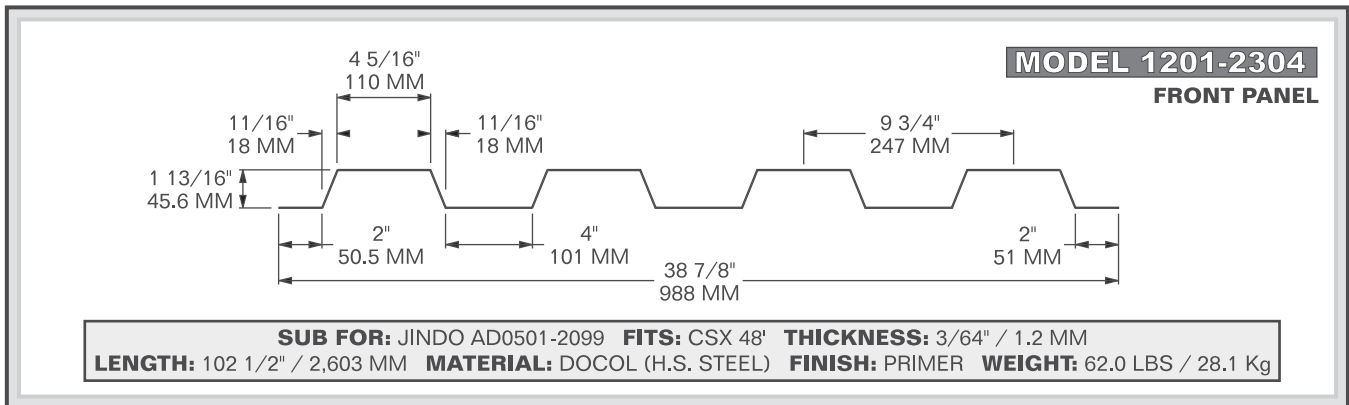
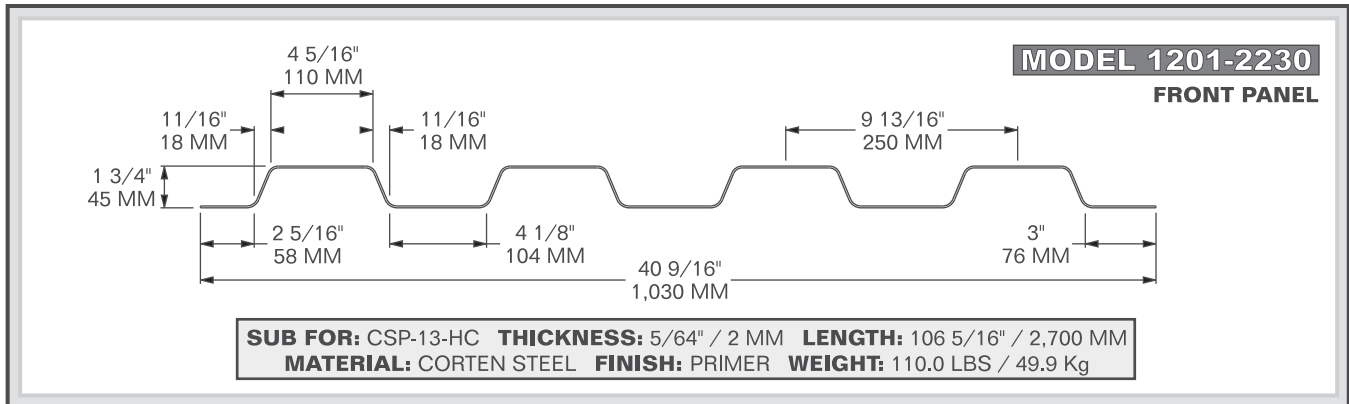
**CONTAINER  
PARTS  
CATALOG**



# CONTAINER SIDE PANELS

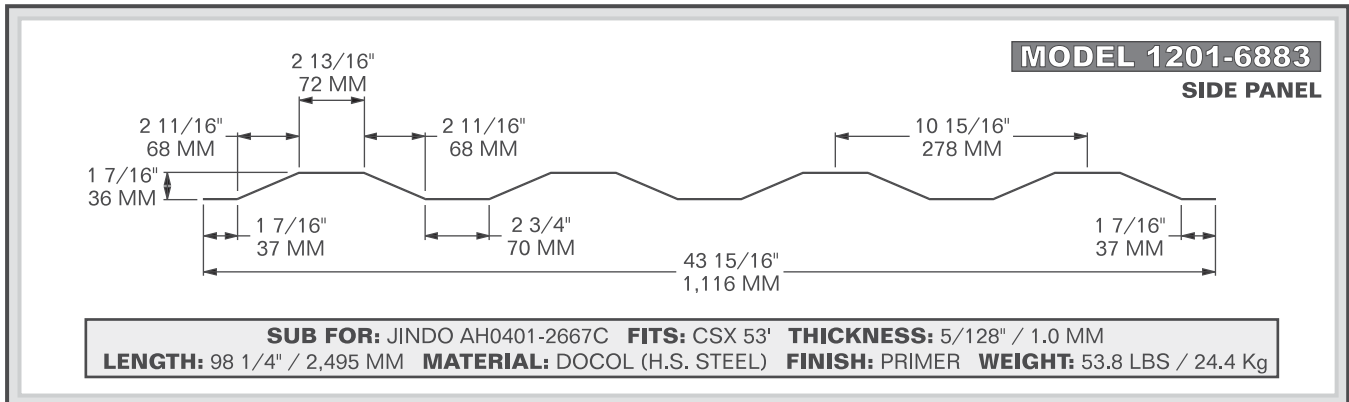
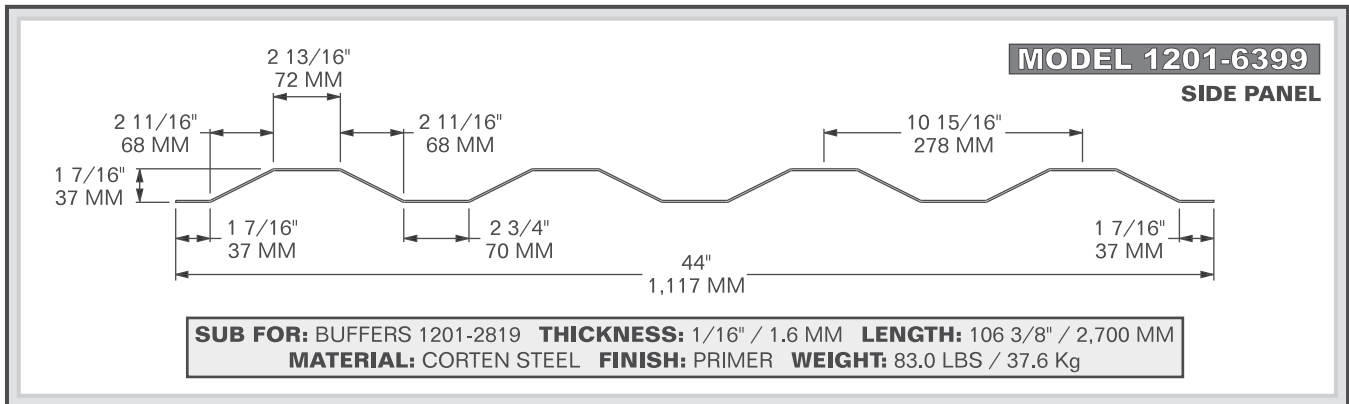
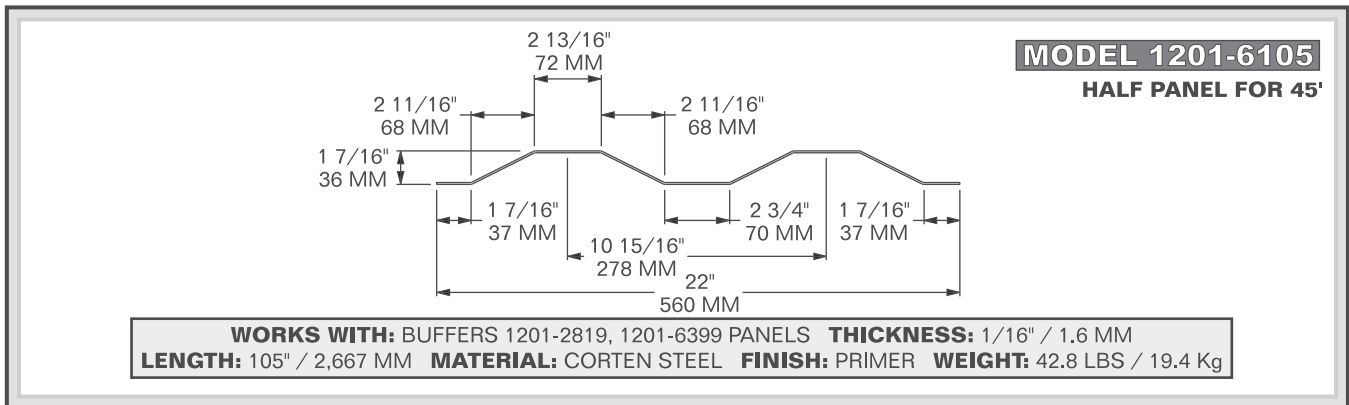
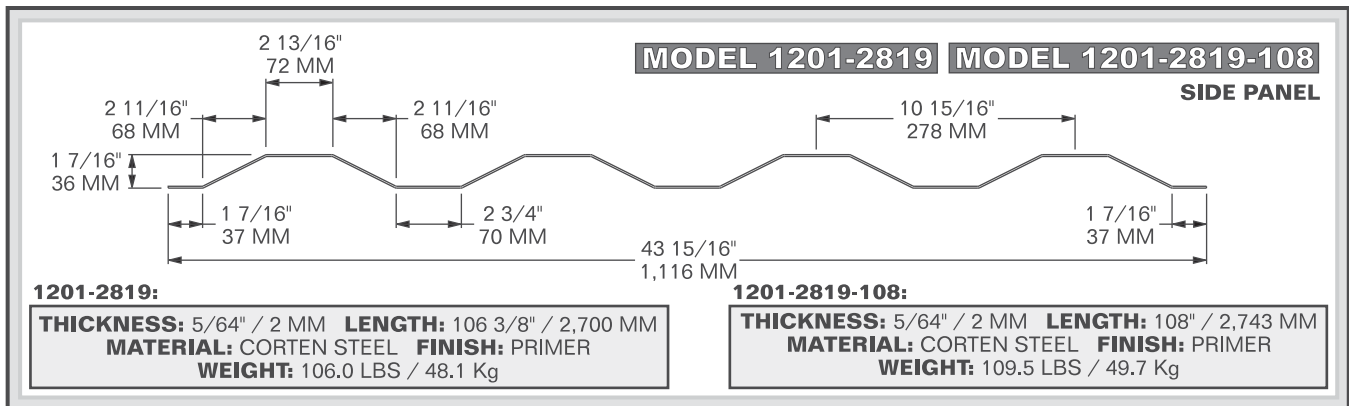
## FRONT & SIDE PANELS





# CONTAINER SIDE PANELS

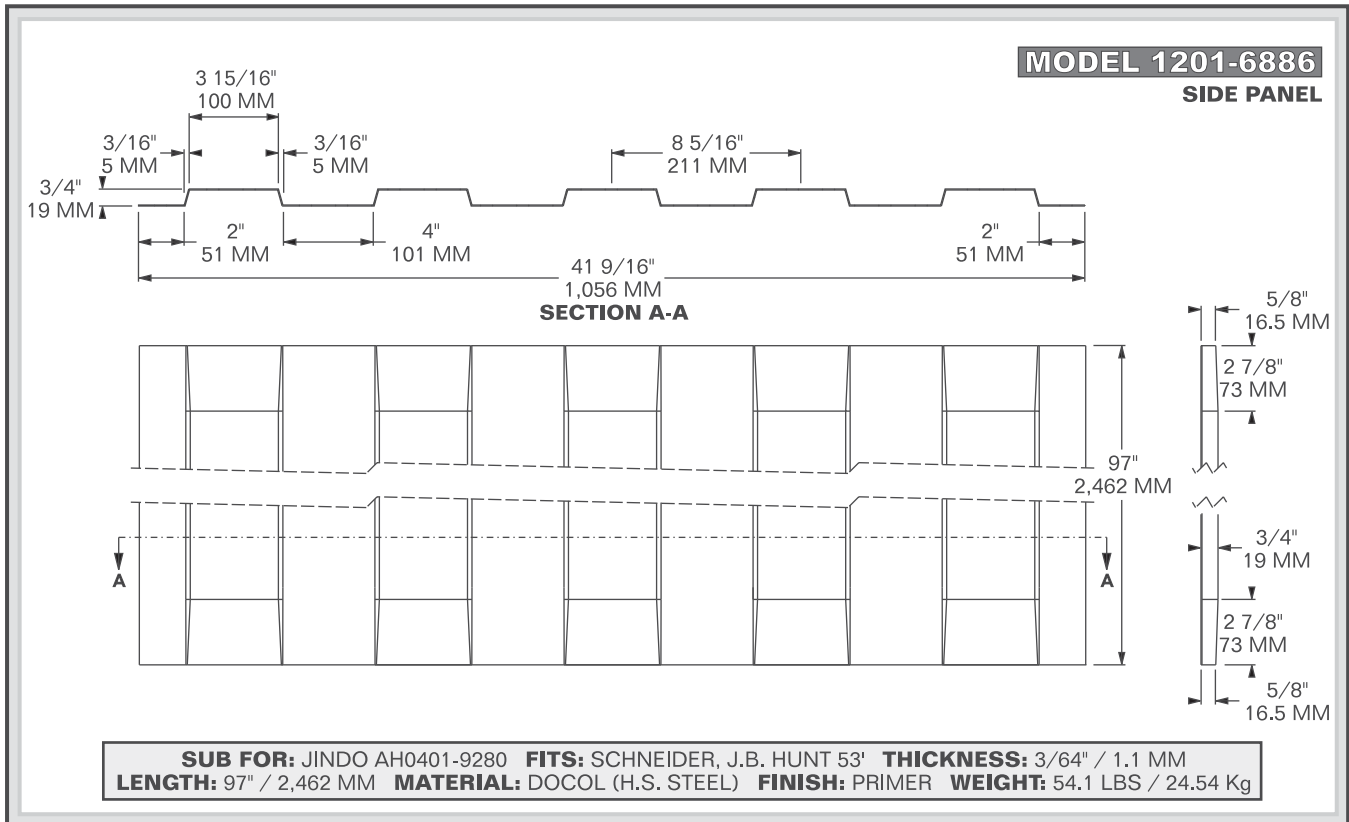
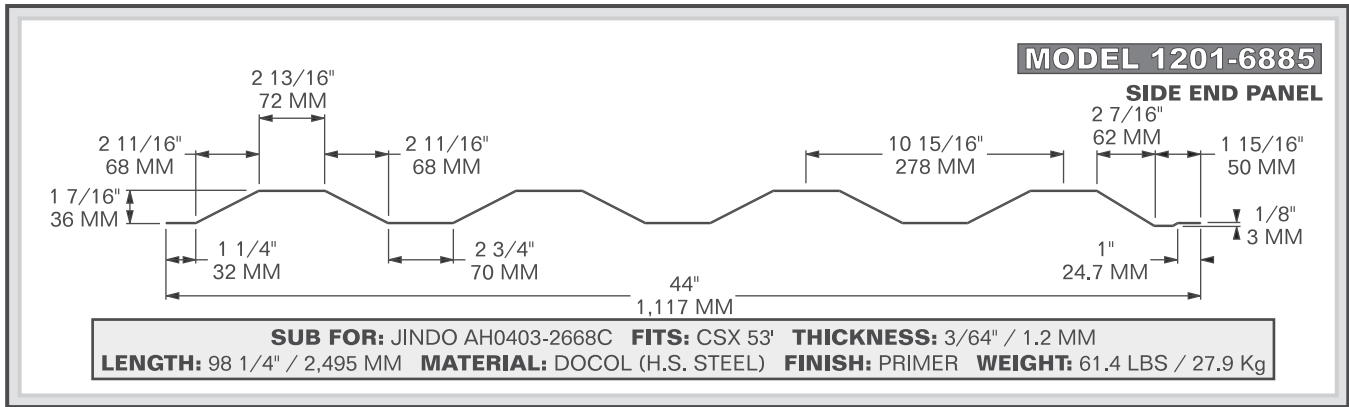
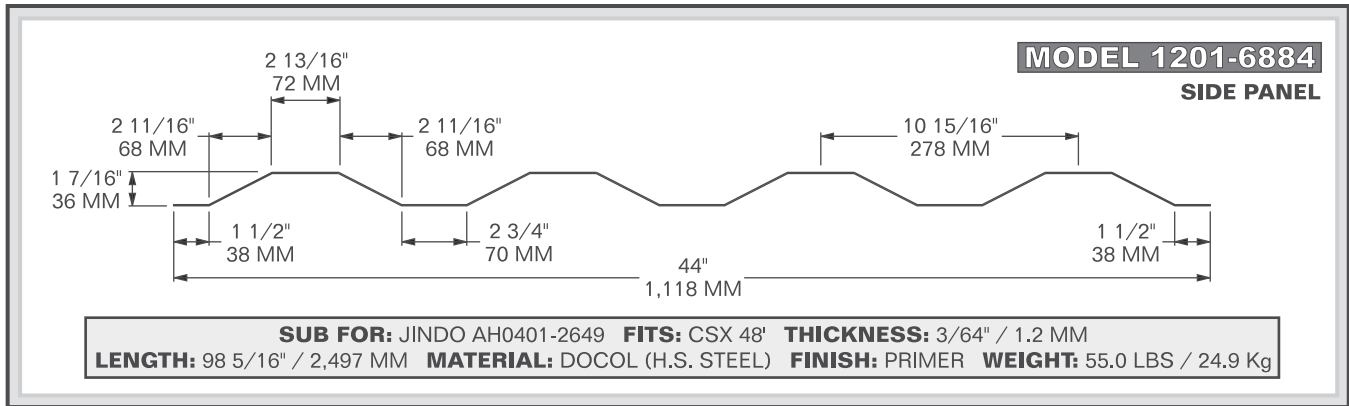
## FRONT & SIDE PANELS





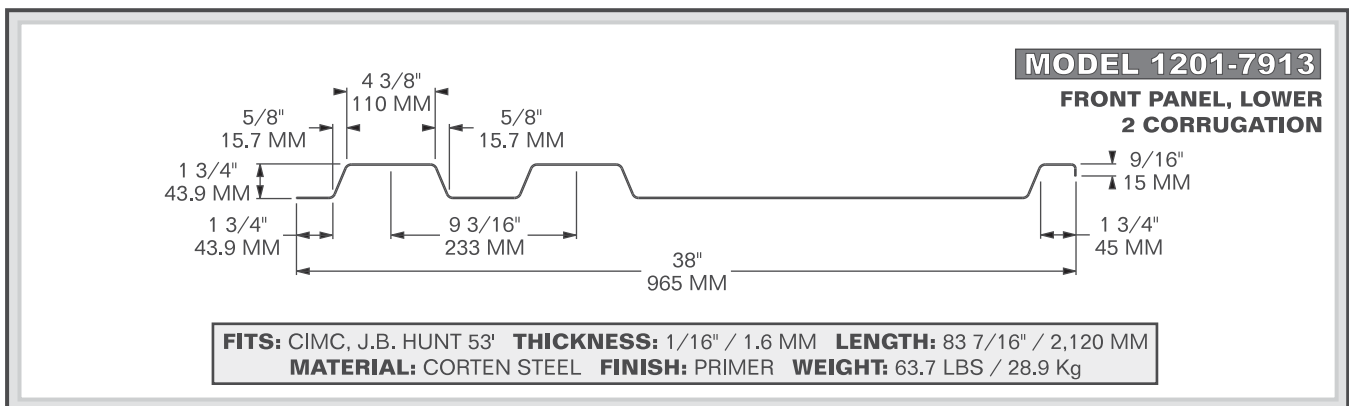
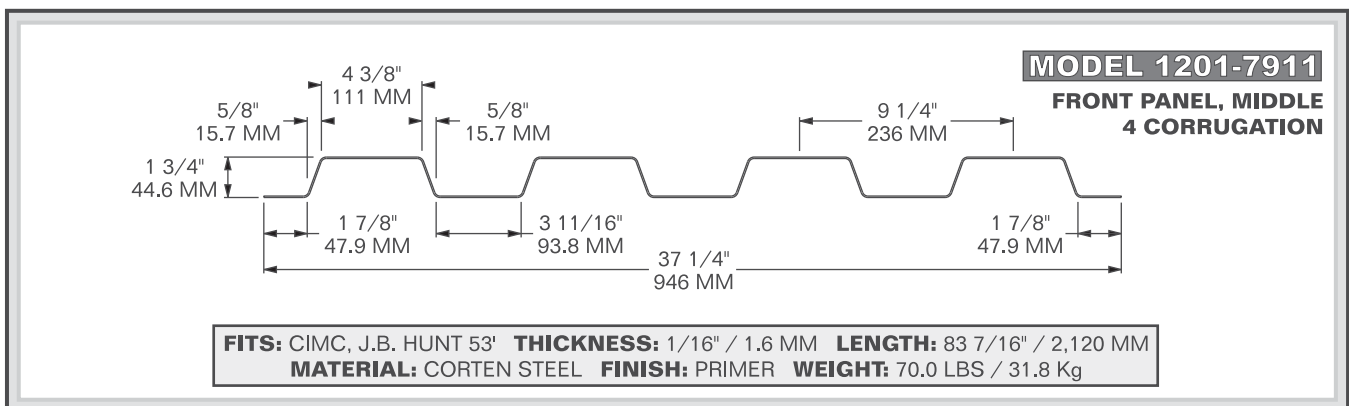
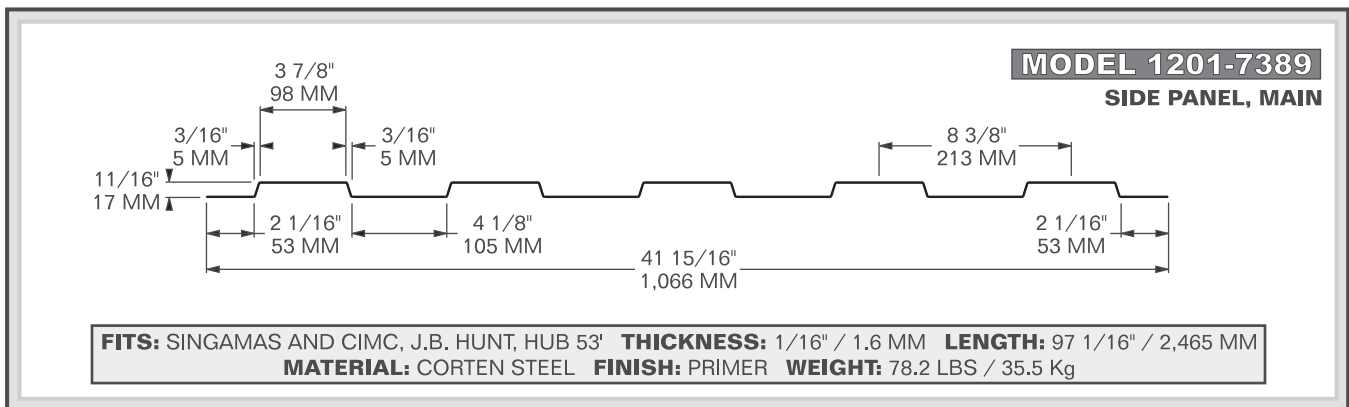
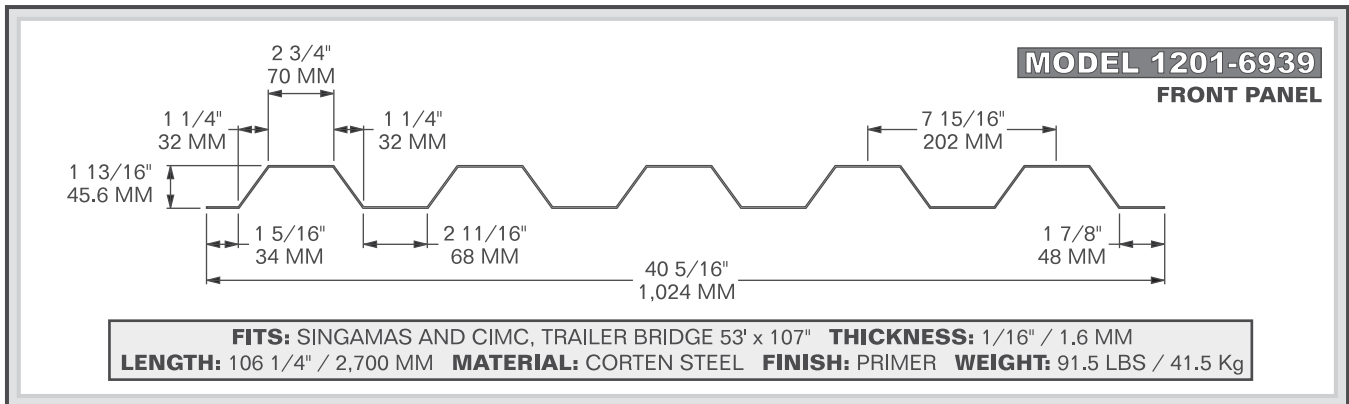
# CONTAINER SIDE PANELS

## FRONT & SIDE PANELS



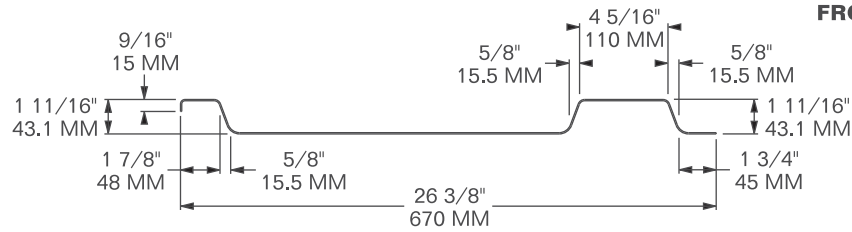
# CONTAINER SIDE PANELS

## FRONT & SIDE PANELS



**MODEL 1201-7914**

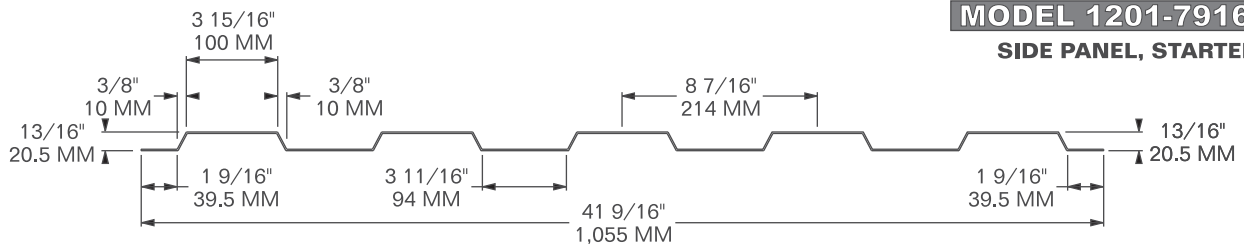
**FRONT PANEL, UPPER  
1 CORRUGATION**



**FITS:** CIMC, J.B. HUNT 53' **THICKNESS:** 1/16" / 1.6 MM **LENGTH:** 83 7/16" / 2,120 MM  
**MATERIAL:** CORTEN STEEL **FINISH:** PRIMER **WEIGHT:** 43.5 LBS / 19.7 Kg

**MODEL 1201-7916**

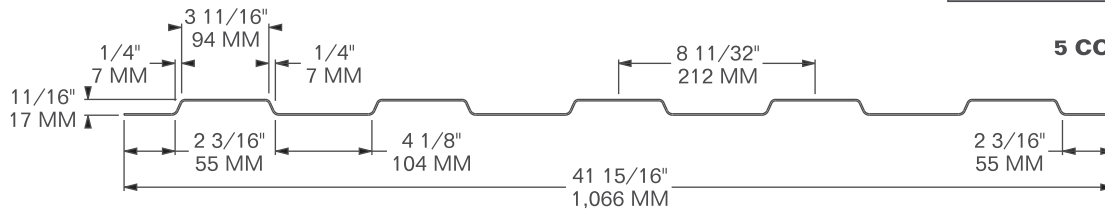
**SIDE PANEL, STARTER**



**FITS:** CIMC 53' **THICKNESS:** 1/16" / 1.6 MM **LENGTH:** 98 3/4" / 2,508 MM  
**MATERIAL:** CORTEN STEEL **FINISH:** PRIMER **WEIGHT:** 79.40 LBS / 36.02 Kg

**MODEL 1201-7917**

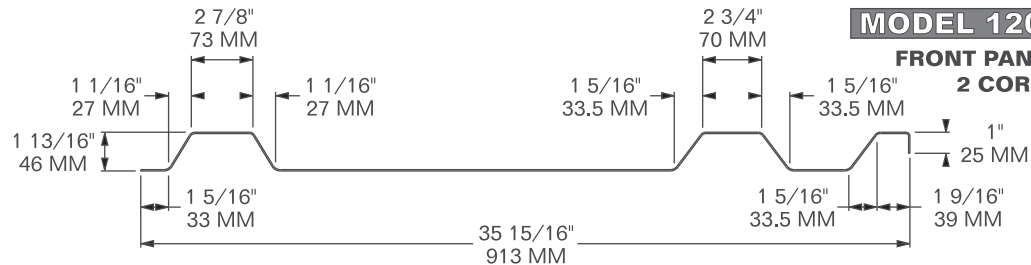
**SIDE PANEL  
5 CORRUGATION**



**FITS:** CIMC, J.B. HUNT 53' **THICKNESS:** 1/16" / 1.6 MM **LENGTH:** 96 15/16" / 2,463 MM  
**MATERIAL:** CORTEN STEEL **FINISH:** PRIMER **WEIGHT:** 58.0 LBS / 26.3 Kg

**MODEL 1201-7923**

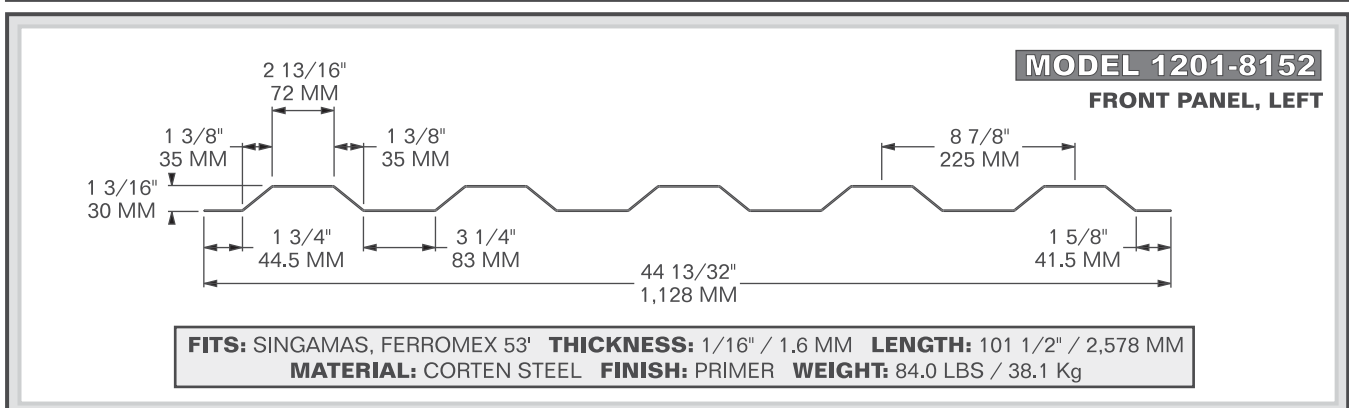
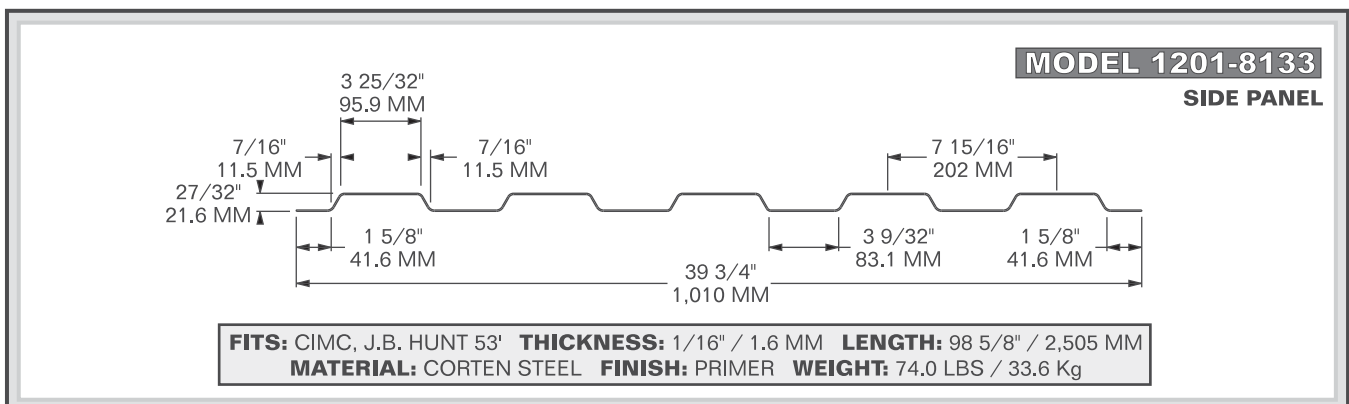
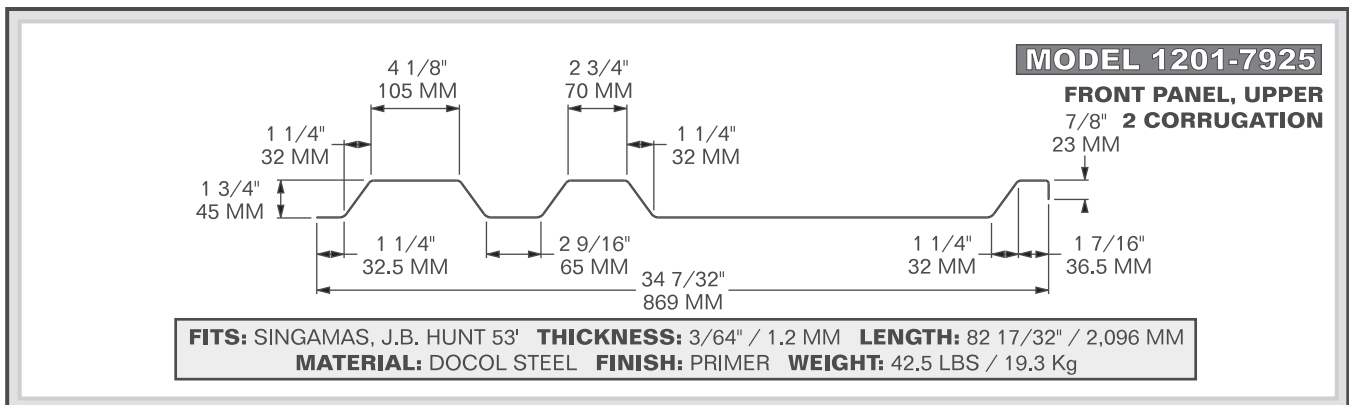
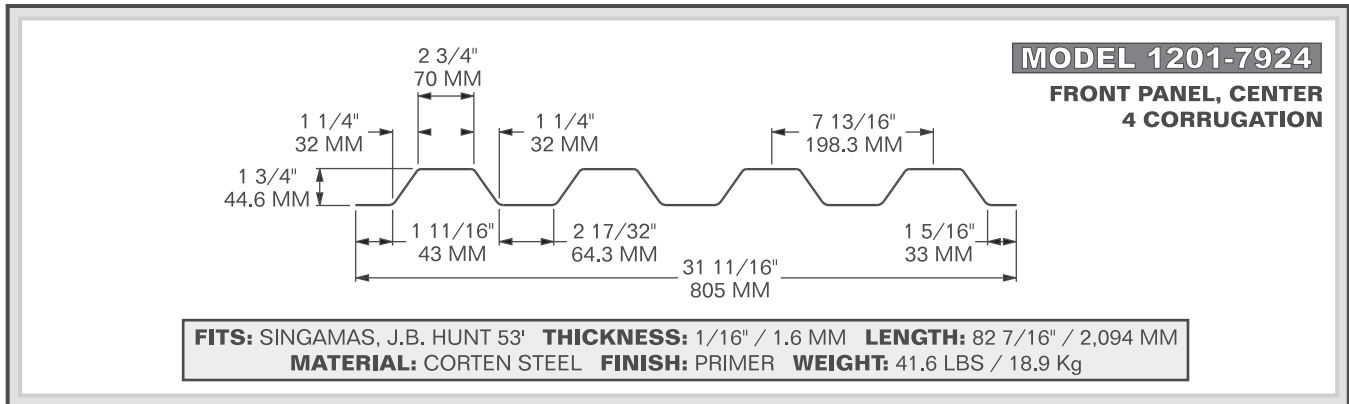
**FRONT PANEL, LOWER  
2 CORRUGATION**



**FITS:** SINGAMAS, J.B. HUNT 53' **THICKNESS:** 1/16" / 1.6 MM **LENGTH:** 82 7/16" / 2,094 MM  
**MATERIAL:** CORTEN STEEL **FINISH:** PRIMER **WEIGHT:** 57.5 LBS / 26.1 Kg

# CONTAINER SIDE PANELS

## FRONT & SIDE PANELS

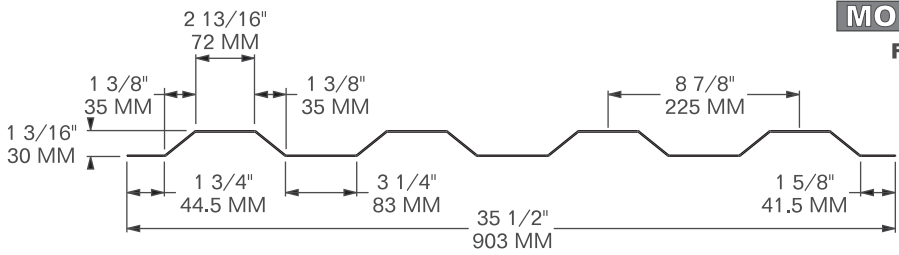




# CONTAINER SIDE PANELS

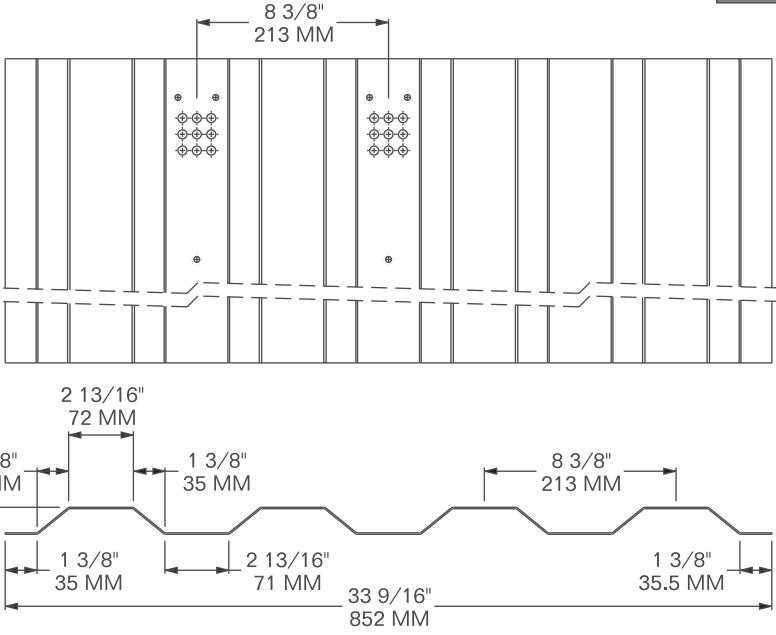
## FRONT & SIDE PANELS

**MODEL 1201-8153**  
**FRONT PANEL, RIGHT**



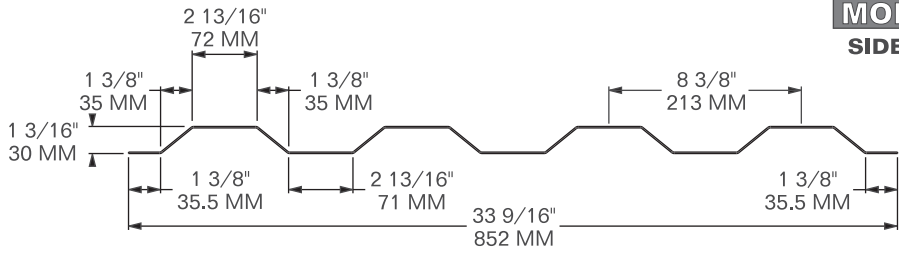
**FITS:** SINGAMAS, FERROMEX 53' **THICKNESS:** 1/16" / 1.6 MM **LENGTH:** 101 1/2" / 2,578 MM  
**MATERIAL:** CORTEN STEEL **FINISH:** PRIMER **WEIGHT:** 63.0 LBS / 28.6 Kg

**MODEL 1201-8155**  
**SIDE PANEL, FRONT WITH VENT HOLES**



**FITS:** SINGAMAS, FEROMAX, HUB, SWIFT 53' **THICKNESS:** 1/16" / 1.6 MM **LENGTH:** 98 1/2" / 2,502 MM  
**MATERIAL:** CORTEN STEEL **FINISH:** PRIMER **WEIGHT:** 59.0 LBS / 26.8 Kg

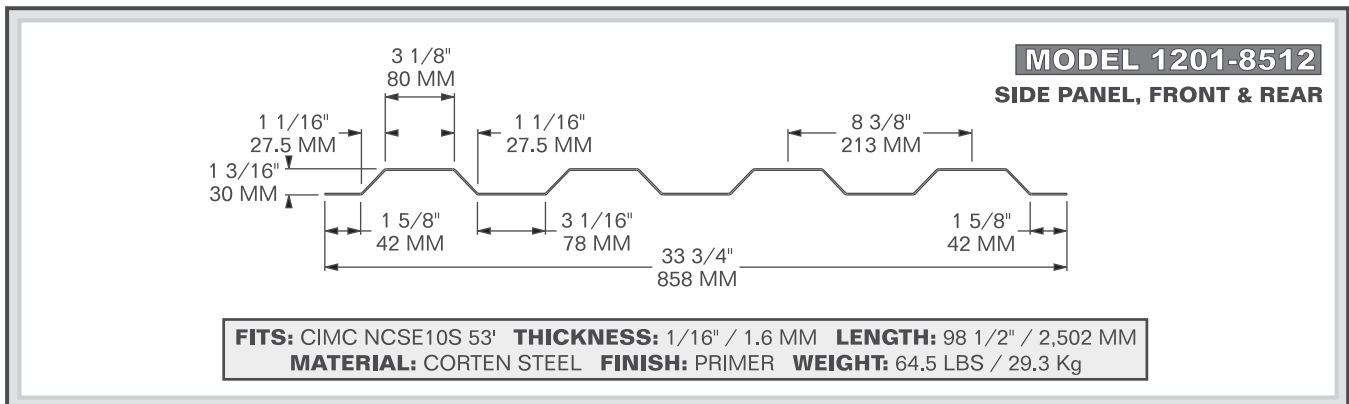
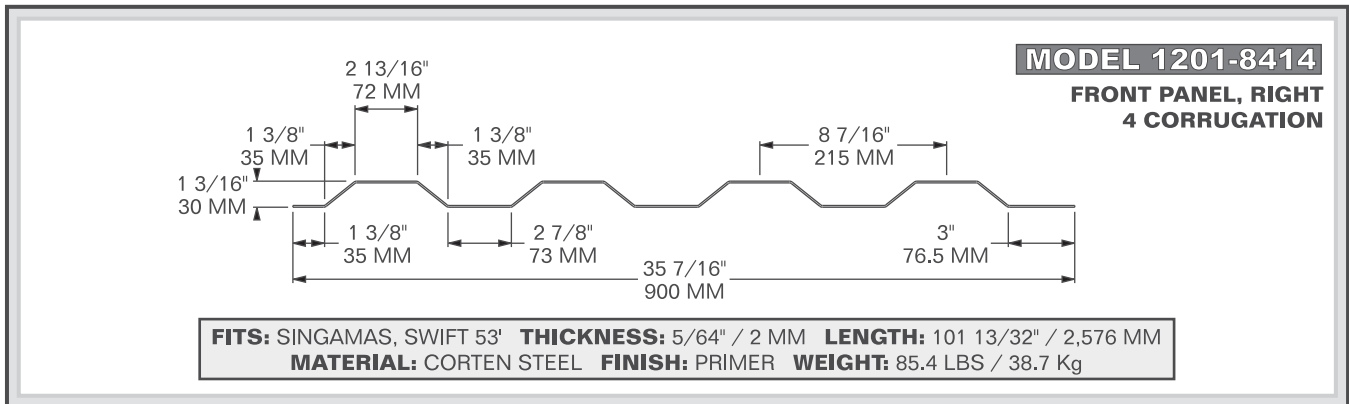
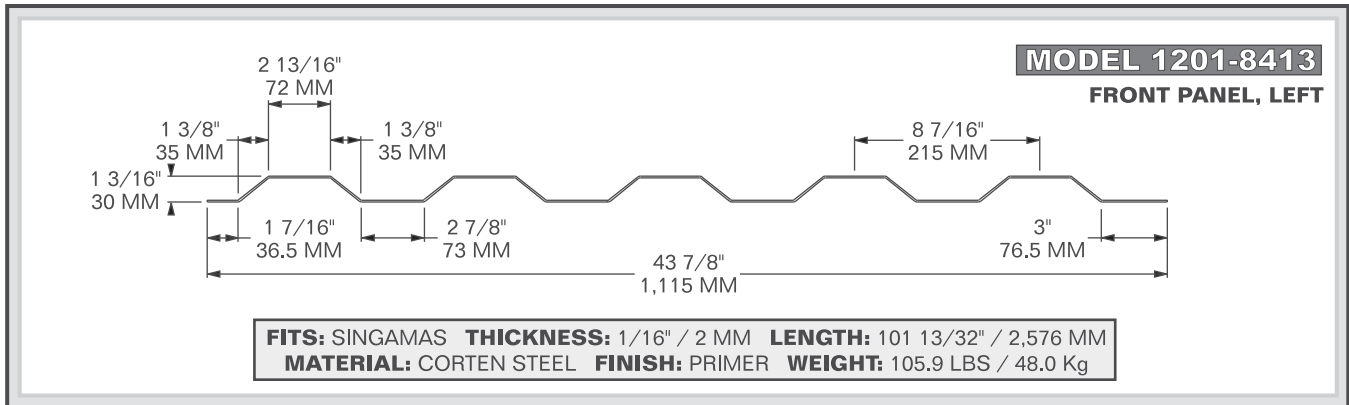
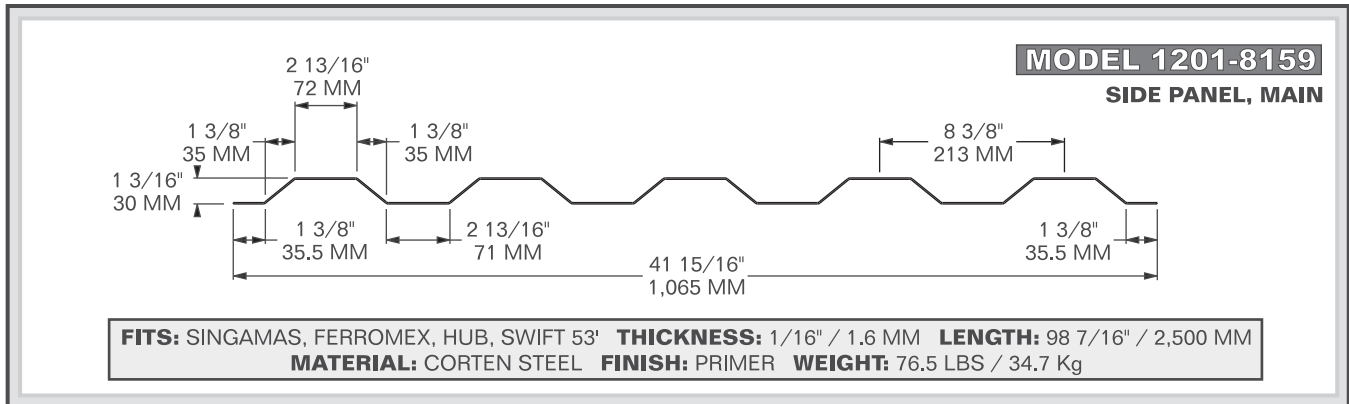
**MODEL 1201-8156**  
**SIDE PANEL, FRONT, END**



**FITS:** SINGAMAS, FERROMEX, HUB, SWIFT 53' **THICKNESS:** 1/16" / 1.6 MM **LENGTH:** 98 1/2" / 2,502 MM  
**MATERIAL:** CORTEN STEEL **FINISH:** PRIMER **WEIGHT:** 57.0 LBS / 25.8 Kg

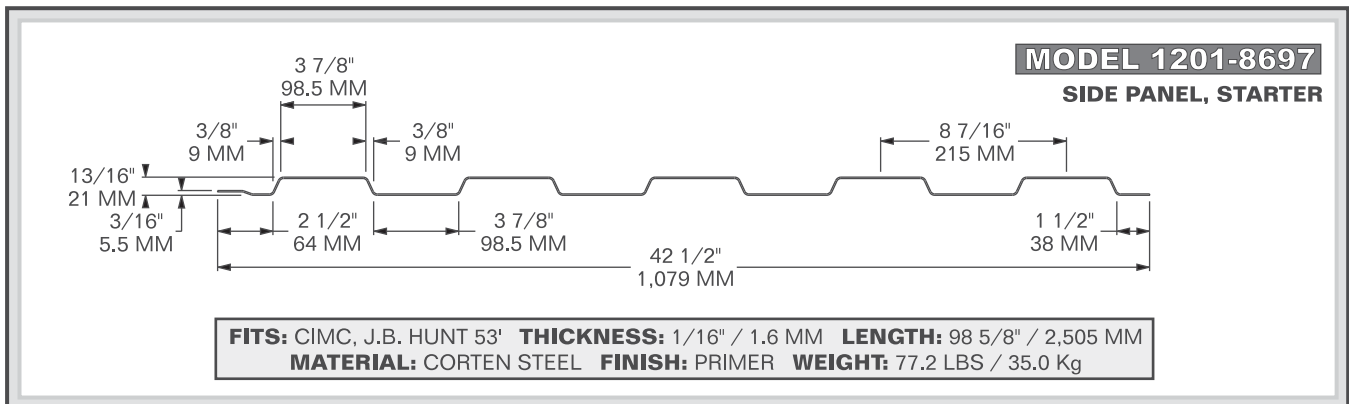
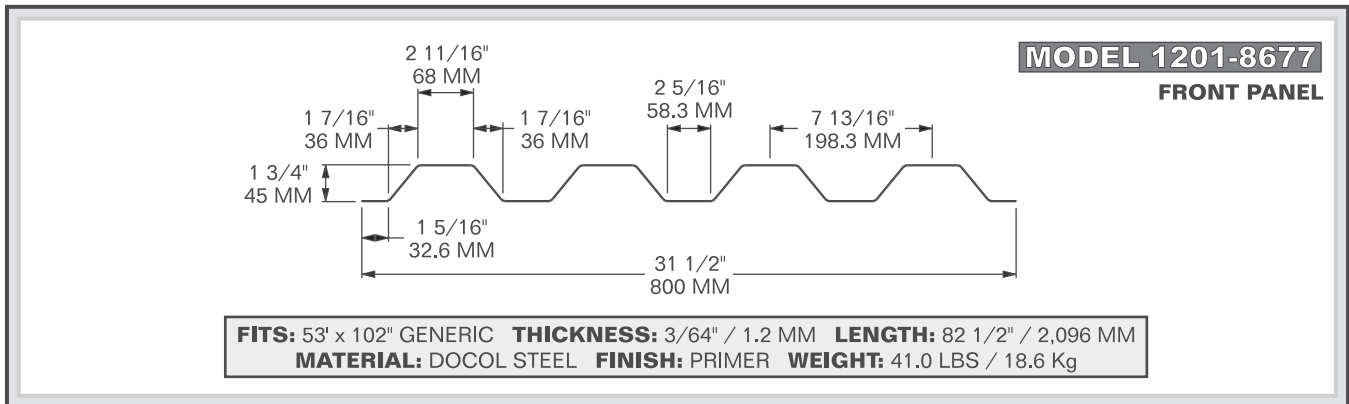
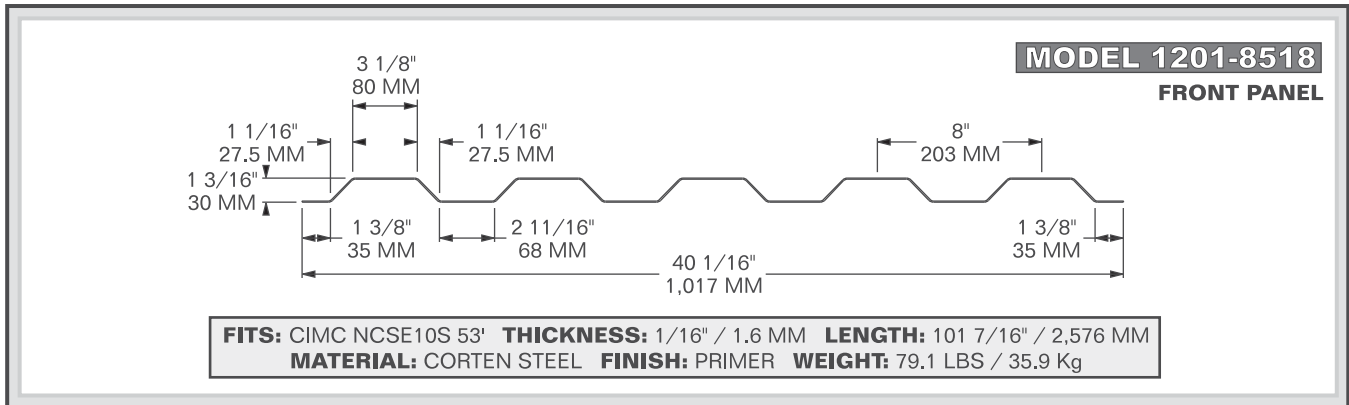
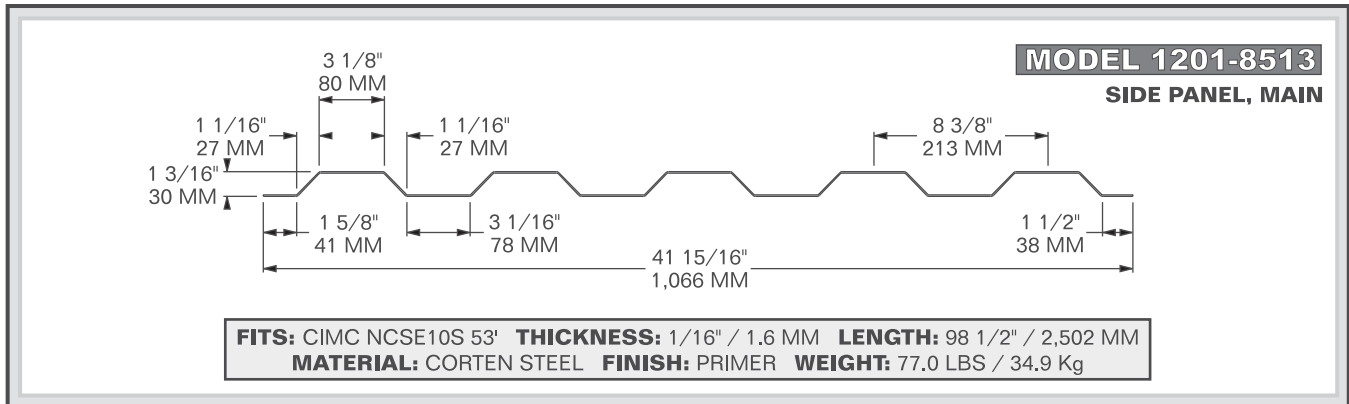
# CONTAINER SIDE PANELS

## FRONT & SIDE PANELS



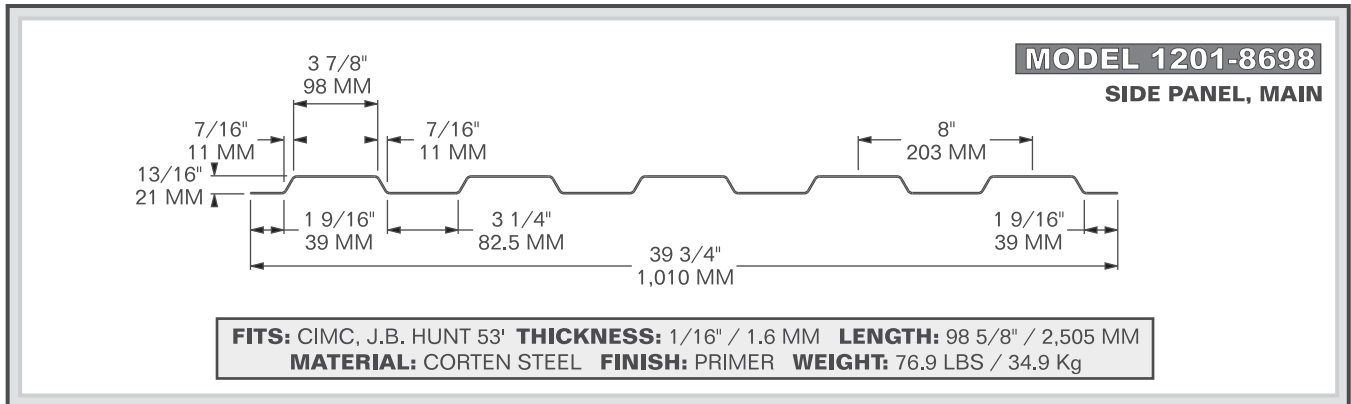
# CONTAINER SIDE PANELS

## FRONT & SIDE PANELS



# CONTAINER SIDE PANELS

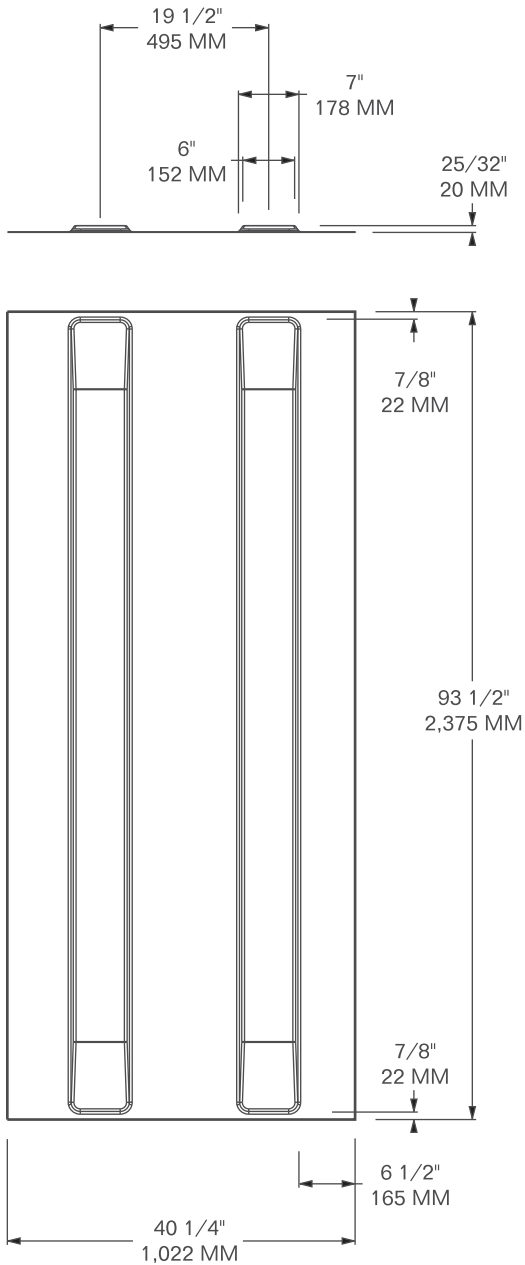
## FRONT & SIDE PANELS





**MODEL 1202-2521**

**FITS:** 96" ISO  
**THICKNESS:** 5/64" / 2.0 MM  
**WEIGHT:** 86.0 LBS / 39.0 Kg



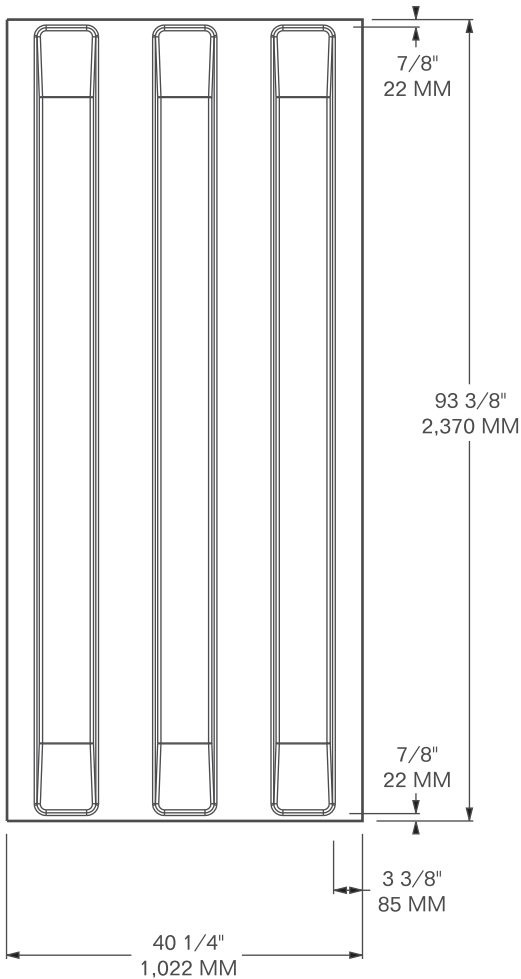
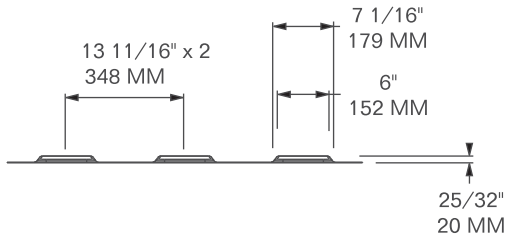
**MATERIAL:** CORTEN STEEL **FINISH:** PRIMER

# CONTAINER ROOF PANELS

## 3 & 4 RIB

### MODEL 1202-2118

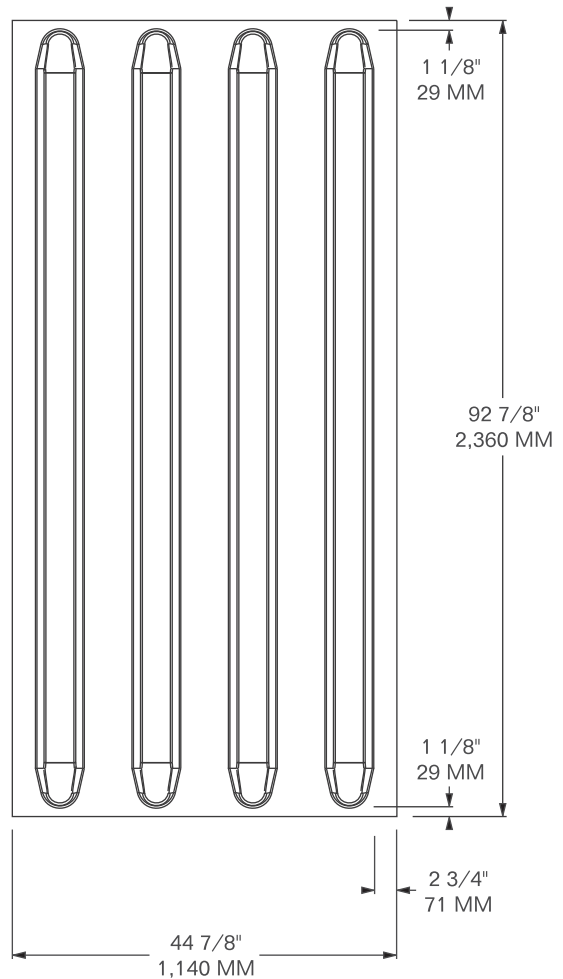
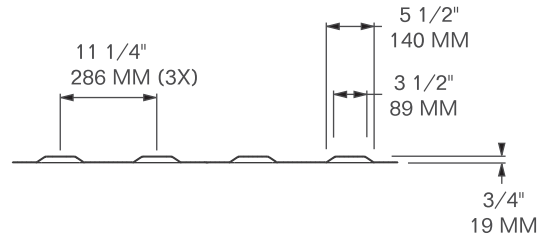
**FITS:** 96" ISO  
**THICKNESS:** 5/64" / 2.0 MM  
**WEIGHT:** 82.0 LBS / 37.2 Kg



**MATERIAL:** CORTEN STEEL **FINISH:** PRIMER

### MODEL 1202-2159

**FITS:** 96" ISO  
**THICKNESS:** 5/64" / 2.0 MM  
**WEIGHT:** 92.0 LBS / 41.7 Kg



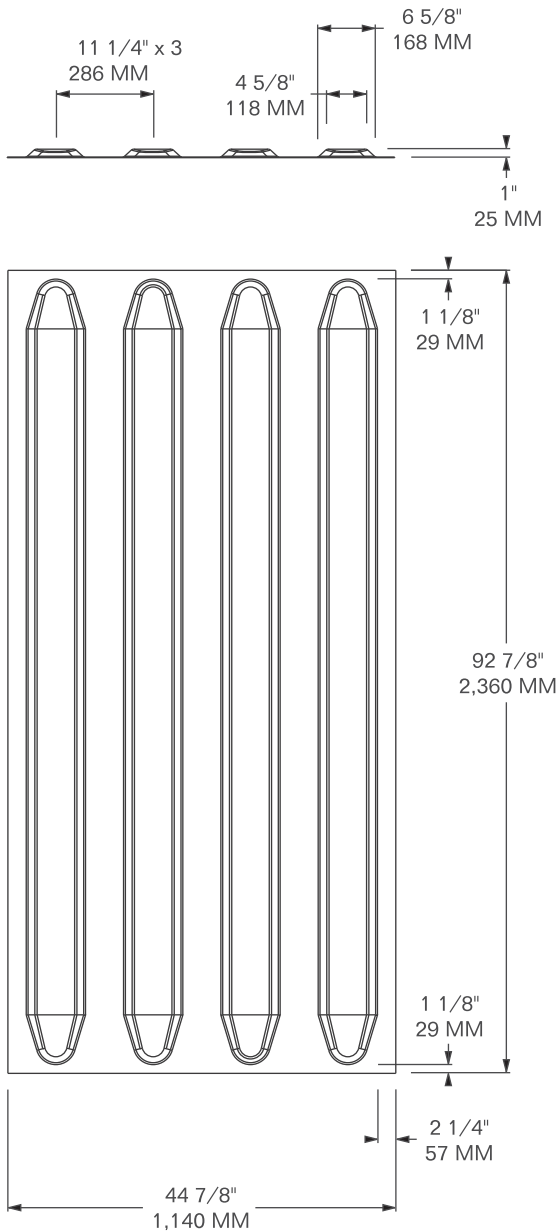
**MATERIAL:** CORTEN STEEL **FINISH:** PRIMER

# CONTAINER ROOF PANELS

## 4 RIB

### MODEL 1202-2232

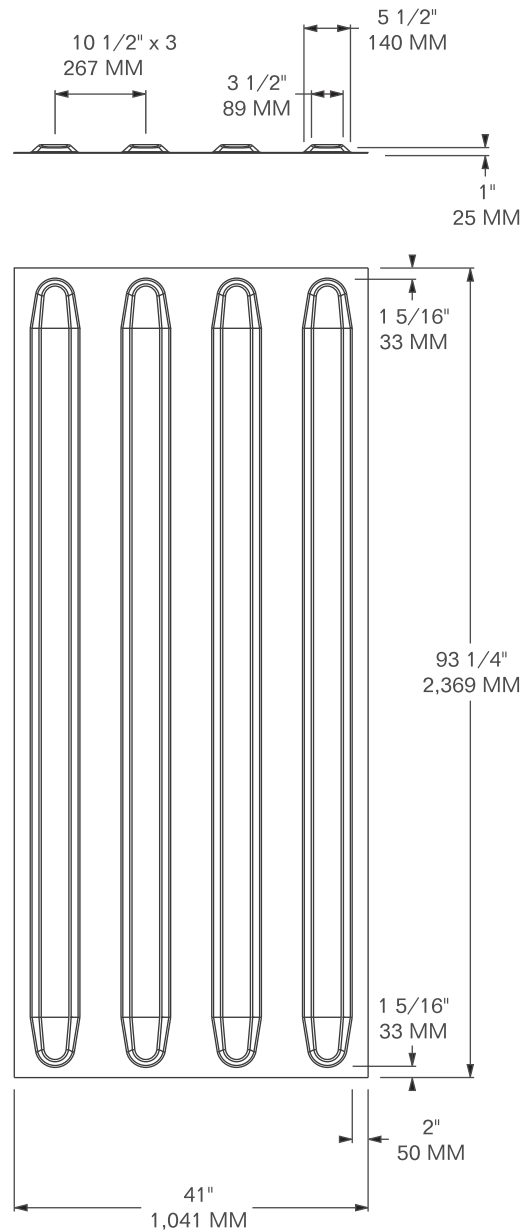
**FITS:** 96" ISO  
**THICKNESS:** 5/64" / 2.0 MM  
**WEIGHT:** 92.0 LBS / 41.7 Kg



**MATERIAL:** CORTEN STEEL **FINISH:** PRIMER

### MODEL 1202-2524

**FITS:** 96" ISO  
**THICKNESS:** 5/64" / 2.0 MM  
**WEIGHT:** 89.0 LBS / 40.4 Kg



**MATERIAL:** CORTEN STEEL **FINISH:** PRIMER

**MODEL 1202-2138**

**SUB FOR:** JINDO AK0101-0790

**FITS:** 102" DOMCON

**THICKNESS:** 1/16" / 1.6 MM

**WEIGHT:** 75.0 LBS / 34.0 Kg

**MATERIAL:** CORTEN STEEL **FINISH:** PRIMER

**MODEL 1202-6887**

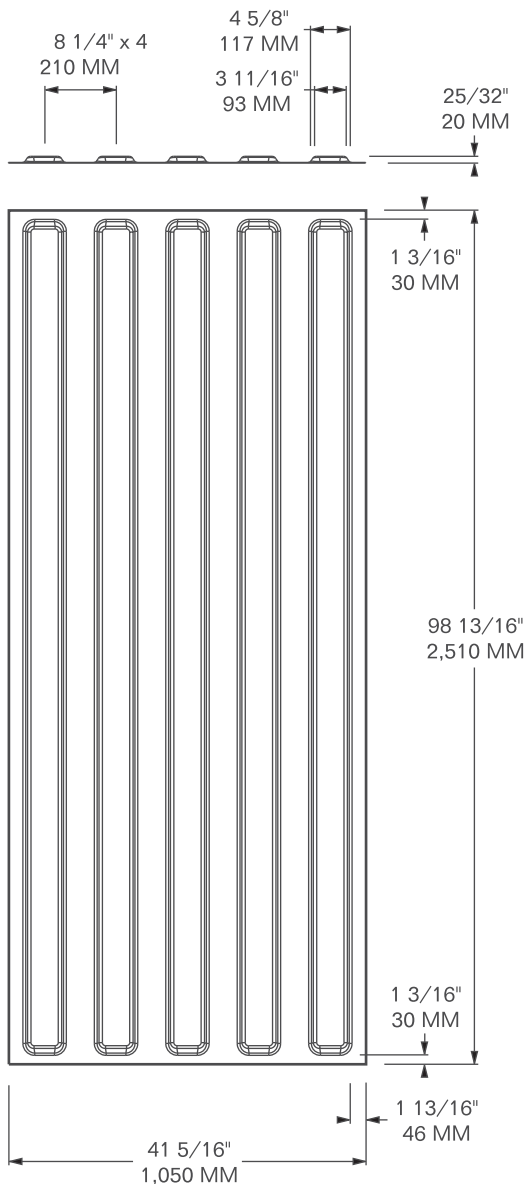
**SUB FOR:** JINDO AK0101-0811

**FITS:** CSX 53'

**THICKNESS:** 3/64" / 1.1 MM

**WEIGHT:** 53.4 LBS / 24.2 Kg

**MATERIAL:** DOCOL (H.S. STEEL) **FINISH:** PRIMER



**MODEL 1202-2117**

**FITS:** STD 96" ISO

**THICKNESS:** 5/64" / 2.0 MM

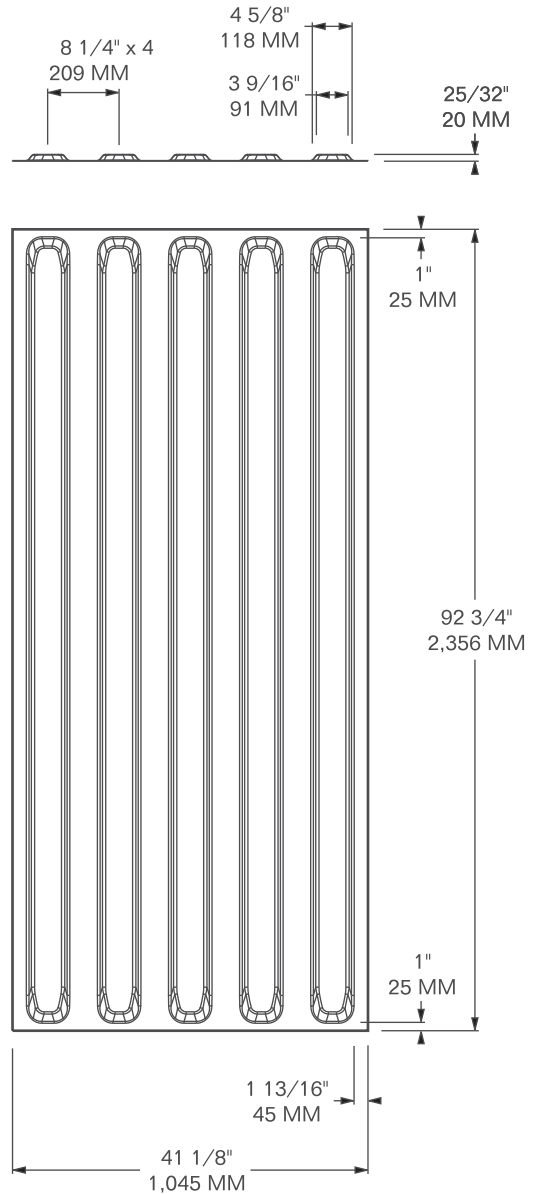
**WEIGHT:** 91.0 LBS / 41.28 Kg

**MODEL 1202-2463**

**FITS:** STD 96" ISO

**THICKNESS:** 1/16" / 1.6 MM

**WEIGHT:** 75.0 LBS / 34.02 Kg

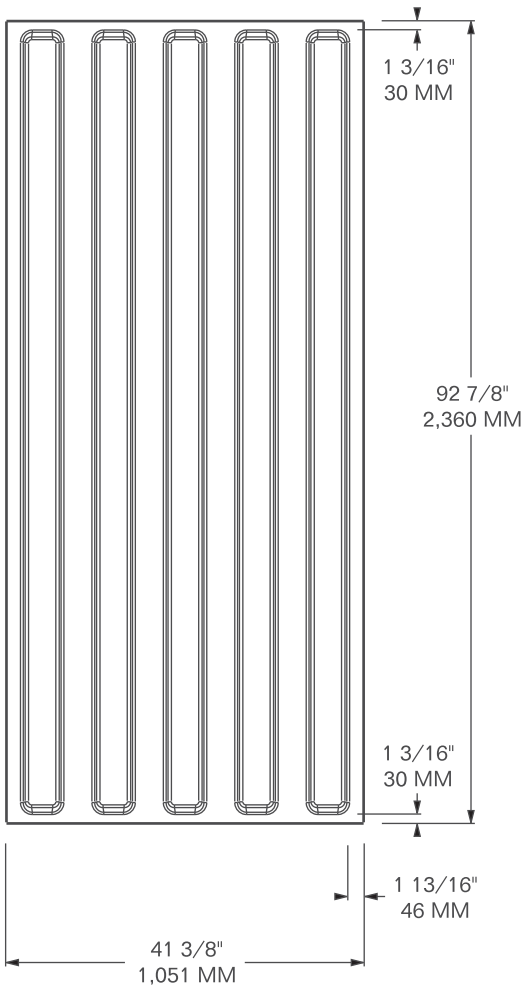
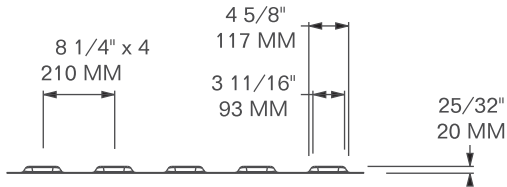


**MATERIAL:** CORTEN STEEL **FINISH:** PRIMER



**MODEL 1202-2149**

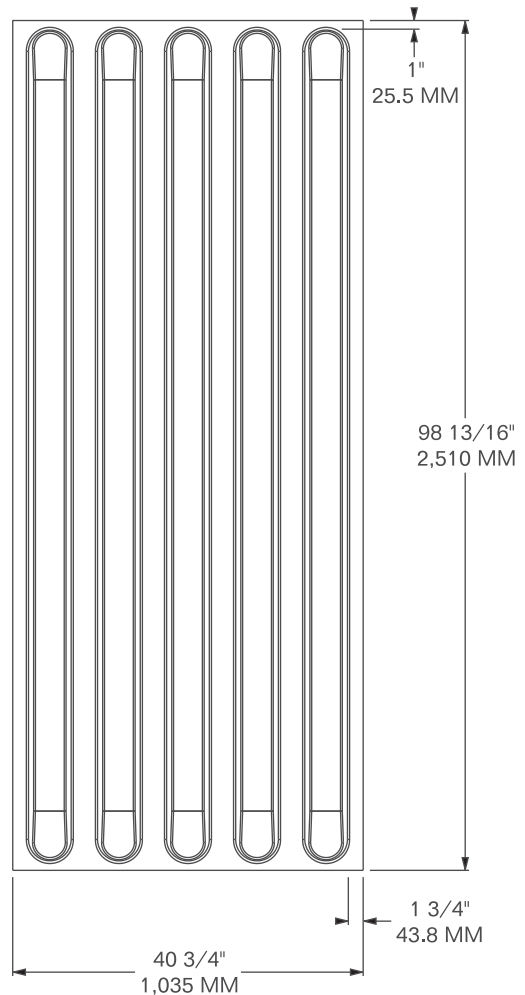
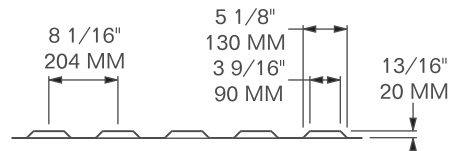
**FITS:** STD 96" ISO  
**THICKNESS:** 5/64" / 2.0 MM  
**WEIGHT:** 91.0 LBS / 41.3 Kg



**MATERIAL:** CORTEN STEEL **FINISH:** PRIMER

**MODEL 1202-7908**

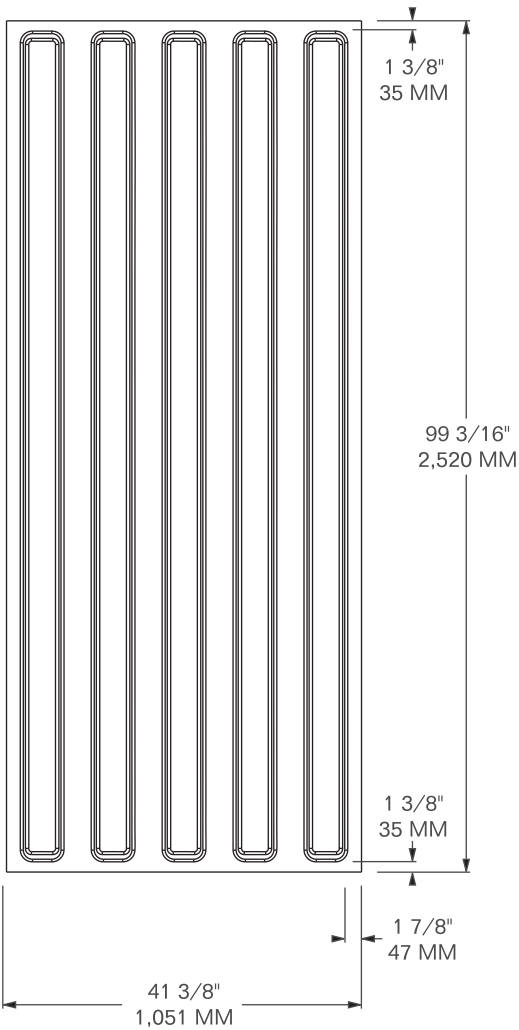
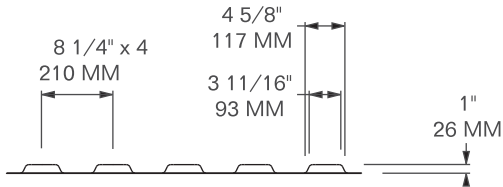
**FITS:** JB HUNT 53' CONTAINERS  
**THICKNESS:** 1/16" / 1.6 MM  
**WEIGHT:** 75.2 LBS / 34.1 Kg



**MATERIAL:** DOCOL STEEL **FINISH:** PRIMER

**MODEL 1202-8162**

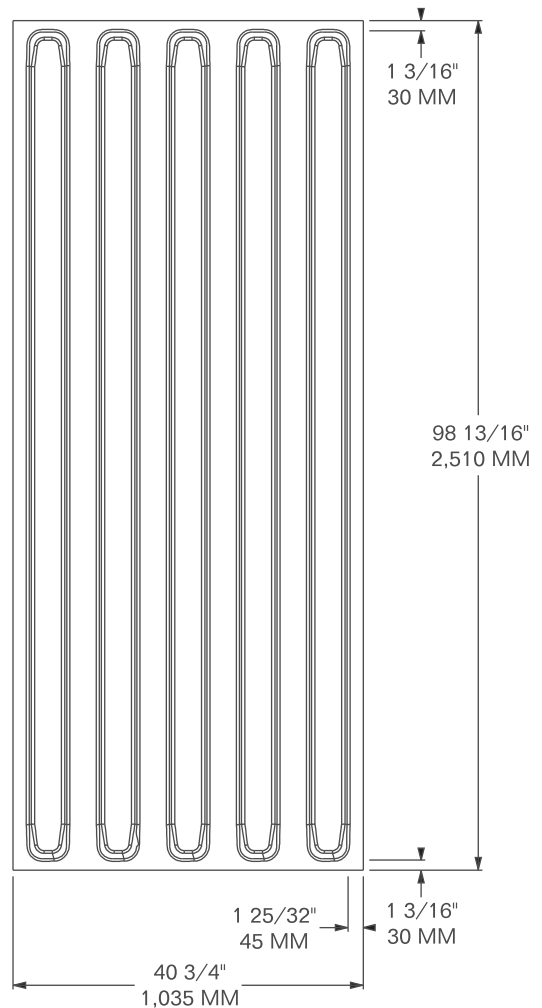
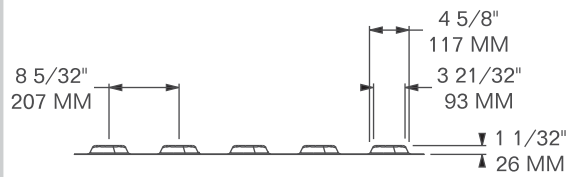
**FITS:** SINGAMAS, FERROMEX, HUB,  
SWIFT, J.B. HUNT 53' x 102'  
**THICKNESS:** 3/64" / 1.2 MM  
**WEIGHT:** 71.2 LBS / 32.3 Kg



**MATERIAL:** DOCOL STEEL **FINISH:** PRIMER

**MODEL 1202-8515**

**FITS:** SINGAMAS, CIMC CSX 53'  
**THICKNESS:** 3/64" / 1.2 MM  
**WEIGHT:** 60.4 LBS / 27.4 Kg

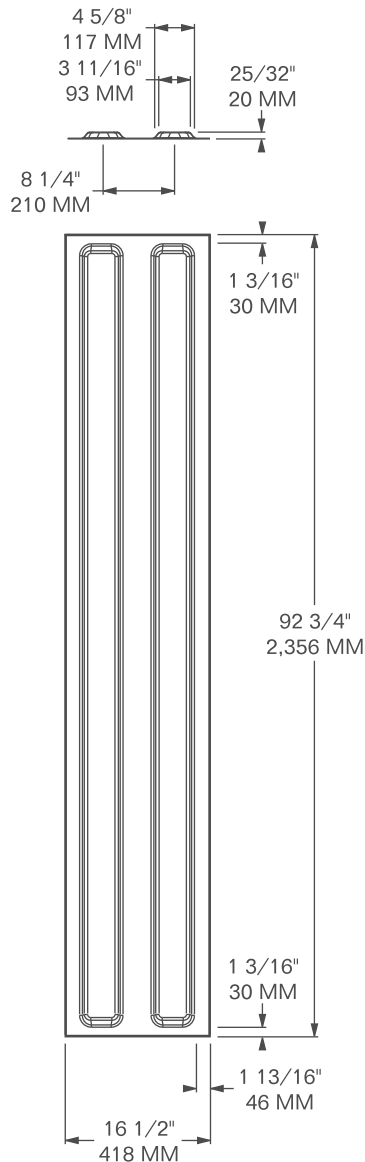


**MATERIAL:** DOCOL STEEL **FINISH:** PRIMER

**MODEL 1202-6104**

**END PANEL FOR 45' CONTAINER**

**FITS:** 45' x 96"  
**WORKS WITH:** 1202-2149  
**THICKNESS:** 5/64" / 2.0 MM  
**WEIGHT:** 35.6 LBS / 16.2 Kg

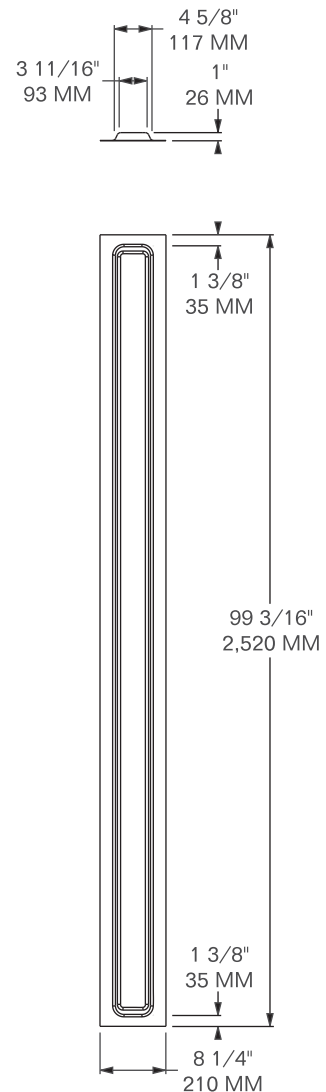


**MATERIAL:** CORTEN STEEL **FINISH:** PRIMER

**MODEL 1202-8163**

**END PANEL**

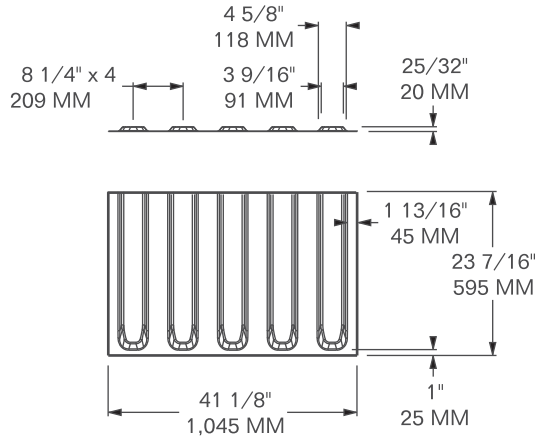
**FITS:** SINGAMAS, FERROMEX,  
HUB, SWIFT, J.B. HUNT 53' x 102"  
**WORKS WITH:** 1202-8162  
**THICKNESS:** 3/64" / 1.2 MM  
**WEIGHT:** 14.2 LBS / 6.44 Kg



**MATERIAL:** DOCOL STEEL **FINISH:** PRIMER

### MODEL 1203-2186

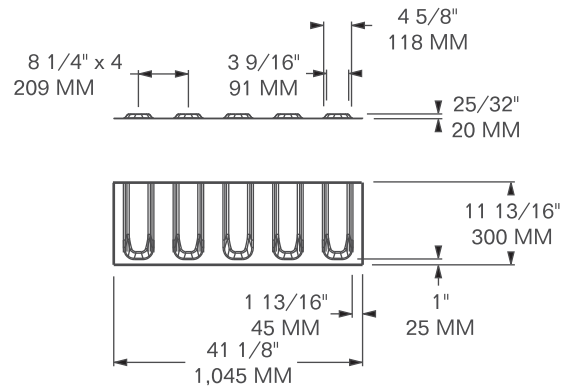
PATCH



**WORKS WITH:** 1202-2117  
**HEIGHT:** 25/32" / 20 MM **THICKNESS:** 5/64" / 2 MM  
**MATERIAL:** CORTEN STEEL **FINISH:** PRIMER  
**WEIGHT:** 22.37 LBS / 10.15 Kg

### MODEL 1203-2187

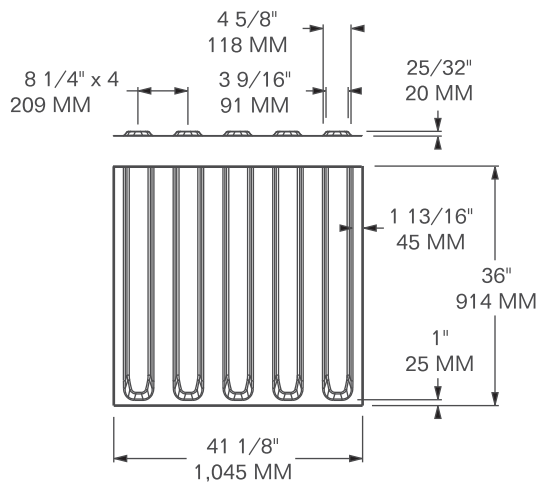
PATCH



**WORKS WITH:** 1202-2117  
**HEIGHT:** 25/32" / 20 MM **THICKNESS:** 5/64" / 2 MM  
**MATERIAL:** CORTEN STEEL **FINISH:** PRIMER  
**WEIGHT:** 11.69 LBS / 5.30 Kg

### MODEL 1203-2649

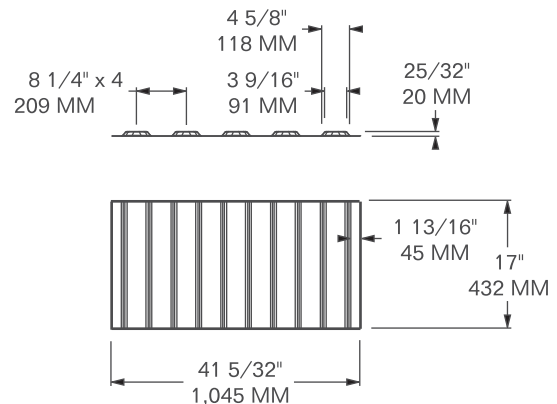
PATCH



**WORKS WITH:** 1202-2117  
**HEIGHT:** 25/32" / 20 MM **THICKNESS:** 5/64" / 2 MM  
**MATERIAL:** CORTEN STEEL **FINISH:** PRIMER  
**WEIGHT:** 33.0 LBS / 14.9 Kg

### MODEL 1203-2678

PATCH, CENTER

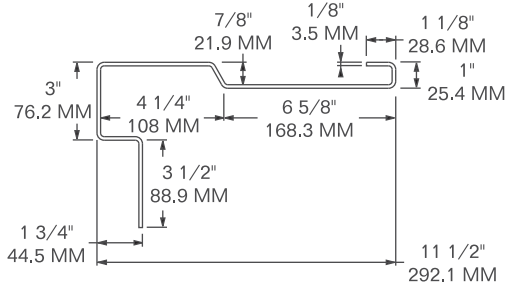


**WORKS WITH:** 1202-2117  
**HEIGHT:** 25/32" / 20 MM **THICKNESS:** 5/64" / 2 MM  
**MATERIAL:** CORTEN STEEL **FINISH:** PRIMER  
**WEIGHT:** 16.0 LBS / 7.3 Kg



### MODEL 1204-2151

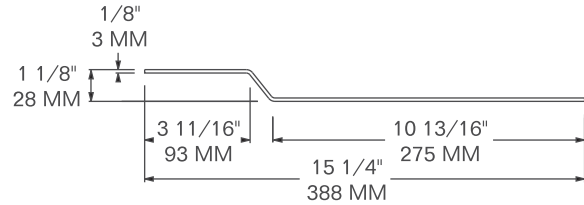
#### FRONT TOP RAIL HEADER PLATE



**FITS:** HYUNDAI 53' x 102" CONTAINERS  
**LENGTH:** 102" / 2,591 MM  
**MATERIAL:** CORTEN **FINISH:** PRIMER  
**WEIGHT:** 80.4 LBS / 36.5 Kg

### MODEL 1204-2532

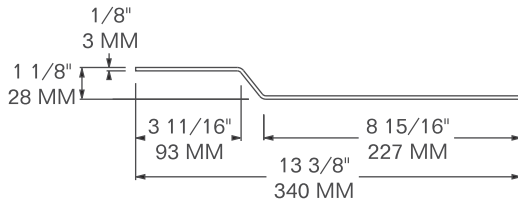
#### HEADER PLATE



**FITS:** 20' x 96" ISO  
**LENGTH:** 94.5" / 2,400 MM  
**MATERIAL:** CORTEN **FINISH:** PRIMER  
**WEIGHT:** 50.9 LBS / 23.1 Kg

### MODEL 1204-2533

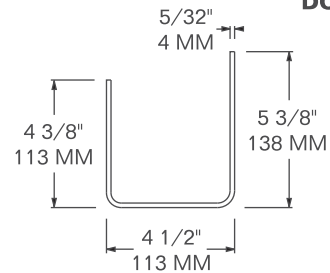
#### HEADER PLATE



**FITS:** 40' x 96" HC ISO  
**LENGTH:** 94.5" / 2,400 MM  
**MATERIAL:** CORTEN **FINISH:** PRIMER  
**WEIGHT:** 42.00 LBS / 19.05 Kg

### MODEL 1204-2534

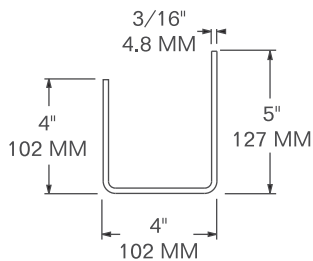
#### DOOR HEADER



**FITS:** 96" ISO  
**LENGTH:** 94.5" / 2,400 MM  
**MATERIAL:** CORTEN **FINISH:** PRIMER  
**WEIGHT:** 55.95 LBS / 25.38 Kg

### MODEL 1204-2621

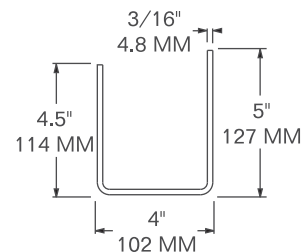
#### DOOR HEADER



**FITS:** 96" ISO  
**LENGTH:** 96" / 2,438 MM  
**MATERIAL:** CORTEN  
**FINISH:** PRIMER  
**WEIGHT:** 61.7 LBS / 27.9 Kg

### MODEL 1204-2622

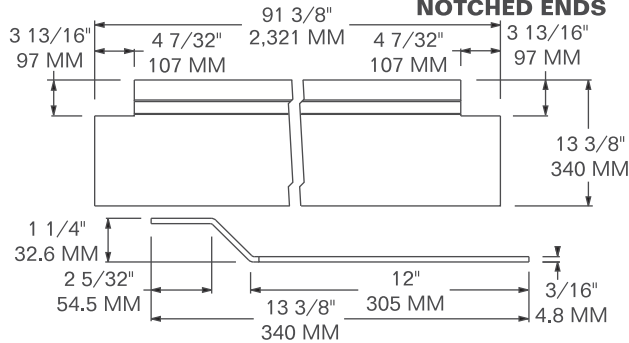
#### DOOR HEADER



**FITS:** 96" ISO  
**LENGTH:** 96" / 2,438 MM  
**MATERIAL:** CORTEN  
**FINISH:** PRIMER  
**WEIGHT:** 64.2 LBS / 29.1 Kg

### MODEL 1204-6123

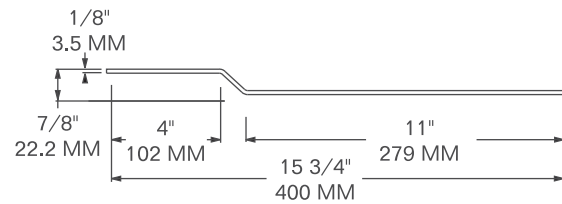
#### HEADER PLATE NOTCHED ENDS



**FITS:** 96" ISO **LENGTH:** 91 3/8" / 2,321 MM  
**MATERIAL:** CORTEN, PRIMER **WEIGHT:** 60.4 LBS / 27.4 Kg

### MODEL 1204-6128

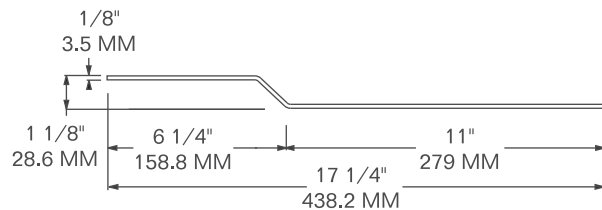
#### HEADER PLATE



**FITS:** 96" ISO  
**LENGTH:** 96" / 2,438 MM  
**MATERIAL:** CORTEN  
**FINISH:** PRIMER  
**WEIGHT:** 51.15 LBS / 23.20 Kg

### MODEL 1204-6141

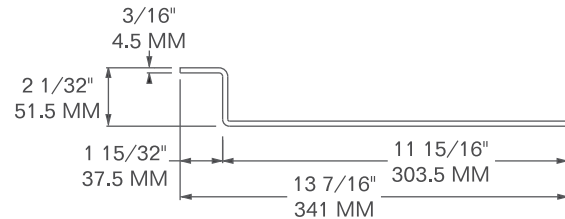
#### HEADER PLATE



**FITS:** 96" ISO  
**LENGTH:** 96" / 2,438 MM  
**MATERIAL:** CORTEN  
**FINISH:** PRIMER  
**WEIGHT:** 56.35 LBS / 25.56 Kg

### MODEL 1204-6222

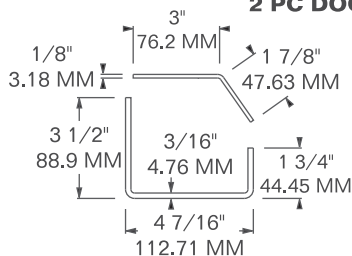
#### HEADER PLATE



**FITS:** 96" ISO  
**LENGTH:** 87 5/8" / 2,225 MM  
**MATERIAL:** CORTEN  
**FINISH:** PRIMER  
**WEIGHT:** 67 LBS / 30.4 Kg

### MODEL 1204-6233-KIT

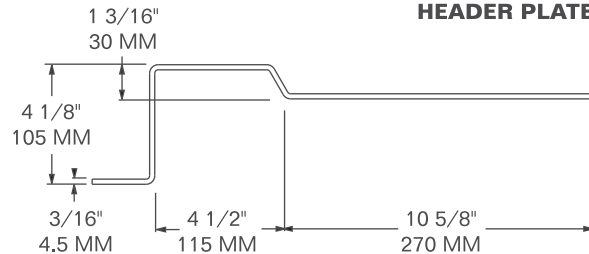
#### 2 PC DOOR HEADER



**SUB FOR:** RTDH-002  
**FITS:** JINDO 53'  
**LENGTH:** 100" / 2,540 MM  
**MATERIAL:** CORTEN **FINISH:** SELF-COLOR  
**TOTAL WEIGHT:** 71.1 LBS / 32.25 Kg

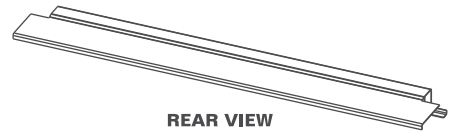
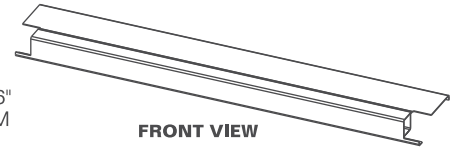
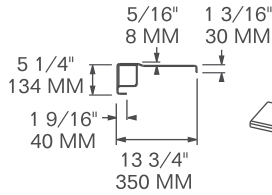
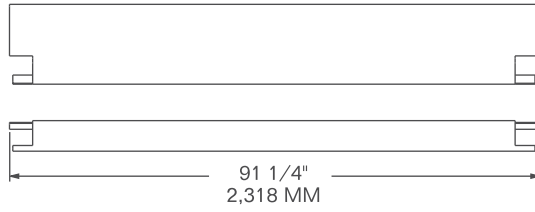
### MODEL 1204-6259

#### HEADER PLATE

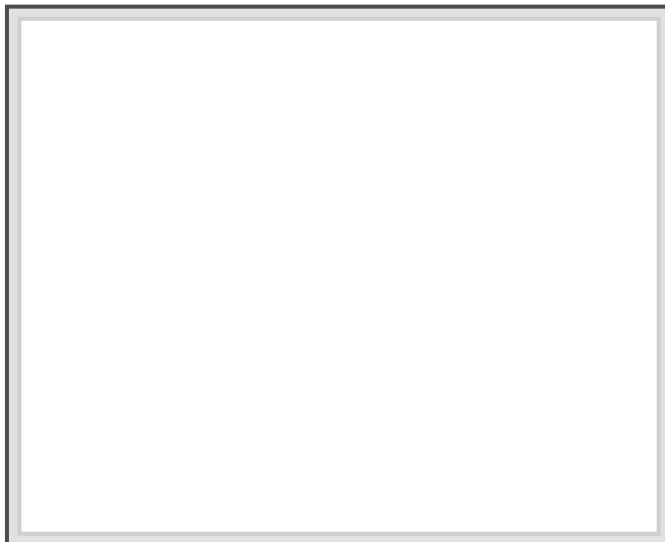


**LENGTH:** 94 1/2" / 2,400 MM  
**MATERIAL:** CORTEN  
**FINISH:** PRIMER  
**WEIGHT:** 100.75 LBS / 45.70 Kg

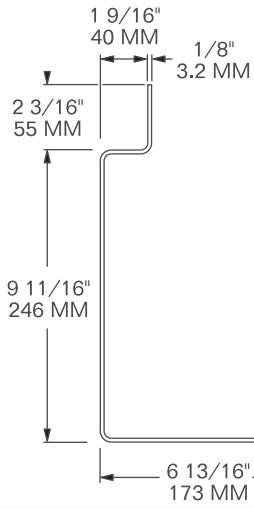
**MODEL 1204-6461**  
**REAR HEADER ASSEMBLY**



**SUB FOR:** MCIQ 7141506 **FITS:** 40' x 96" HC REEFER MODEL MQRS-40HS-251B  
**LENGTH:** 91 1/4" / 2,318 MM **MATERIAL:** CORTEN  
**FINISH:** PRIMER **WEIGHT:** 176.4 LBS / 80 Kg



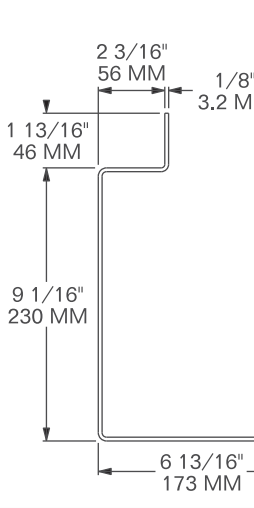
# FRONT CORNER POSTS



**MODEL 1205-2108**  
**FRONT CORNER POST**

**FITS:** JINDO 102" WIDE x 53' CONTAINER  
**LENGTH:** 110.5" / 2,806 MM  
**MATERIAL:** CORTEN  
**FINISH:** PRIMER  
**WEIGHT:** 93.4 LBS / 42.3 Kg

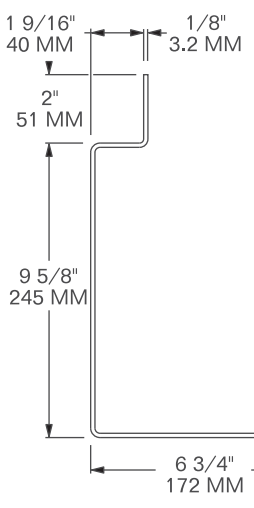
Dimensions: 1 9/16" (40 MM), 1/8" (3.2 MM), 2 3/16" (55 MM), 9 11/16" (246 MM), 6 13/16" (173 MM), 3 1/16" (78 MM), 1 9/16" (40 MM)



**MODEL 1205-2130**  
**FRONT CORNER POST**

**FITS:** JINDO 102" WIDE x 53' CONTAINER  
**LENGTH:** 114" / 2,896 MM  
**MATERIAL:** CORTEN  
**FINISH:** PRIMER  
**WEIGHT:** 93.2 LBS / 42.3 Kg

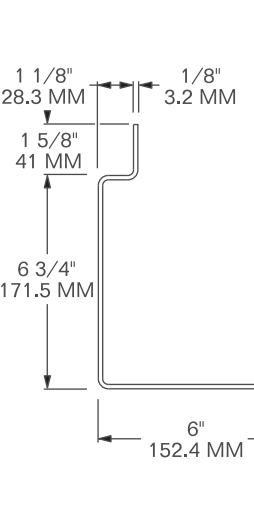
Dimensions: 2 3/16" (56 MM), 1/8" (3.2 MM), 1 13/16" (46 MM), 9 1/16" (230 MM), 6 13/16" (173 MM), 2 7/16" (62 MM), 1 9/16" (39.5 MM)



**MODEL 1205-2131**  
**FRONT CORNER POST**

**FITS:** PACER 102" WIDE x 53' CONTAINER  
**LENGTH:** 114" / 2,896 MM  
**MATERIAL:** CORTEN  
**FINISH:** PRIMER  
**WEIGHT:** 87.0 LBS / 39.5 Kg

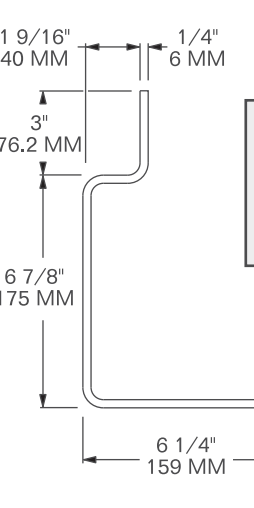
Dimensions: 1 9/16" (40 MM), 1/8" (3.2 MM), 2" (51 MM), 9 5/8" (245 MM), 6 3/4" (172 MM), 2" (51 MM), 1 7/16" (36 MM)



**MODEL 1205-2150**  
**FRONT CORNER POST**

**SUB FOR:** H10004293  
**FITS:** HYUNDAI 53' x 102"  
**LENGTH:** 114" / 2,895 MM  
**MATERIAL:** CORTEN  
**FINISH:** PRIMER  
**WEIGHT:** 80.8 LBS / 36.7 Kg

Dimensions: 1 1/8" (28.3 MM), 1/8" (3.2 MM), 1 5/8" (41 MM), 6 3/4" (171.5 MM), 6" (152.4 MM), 1 5/8" (41 MM)



**MODEL 1205-2185**  
**FRONT CORNER POST**

**FITS:** STD ISO 96" WIDE 20', 40', 45' UP TO H.C.  
**LENGTH:** 106.3" / 2,700 MM  
**MATERIAL:** CORTEN  
**FINISH:** PRIMER  
**WEIGHT:** 149.78 LBS / 67.94 Kg

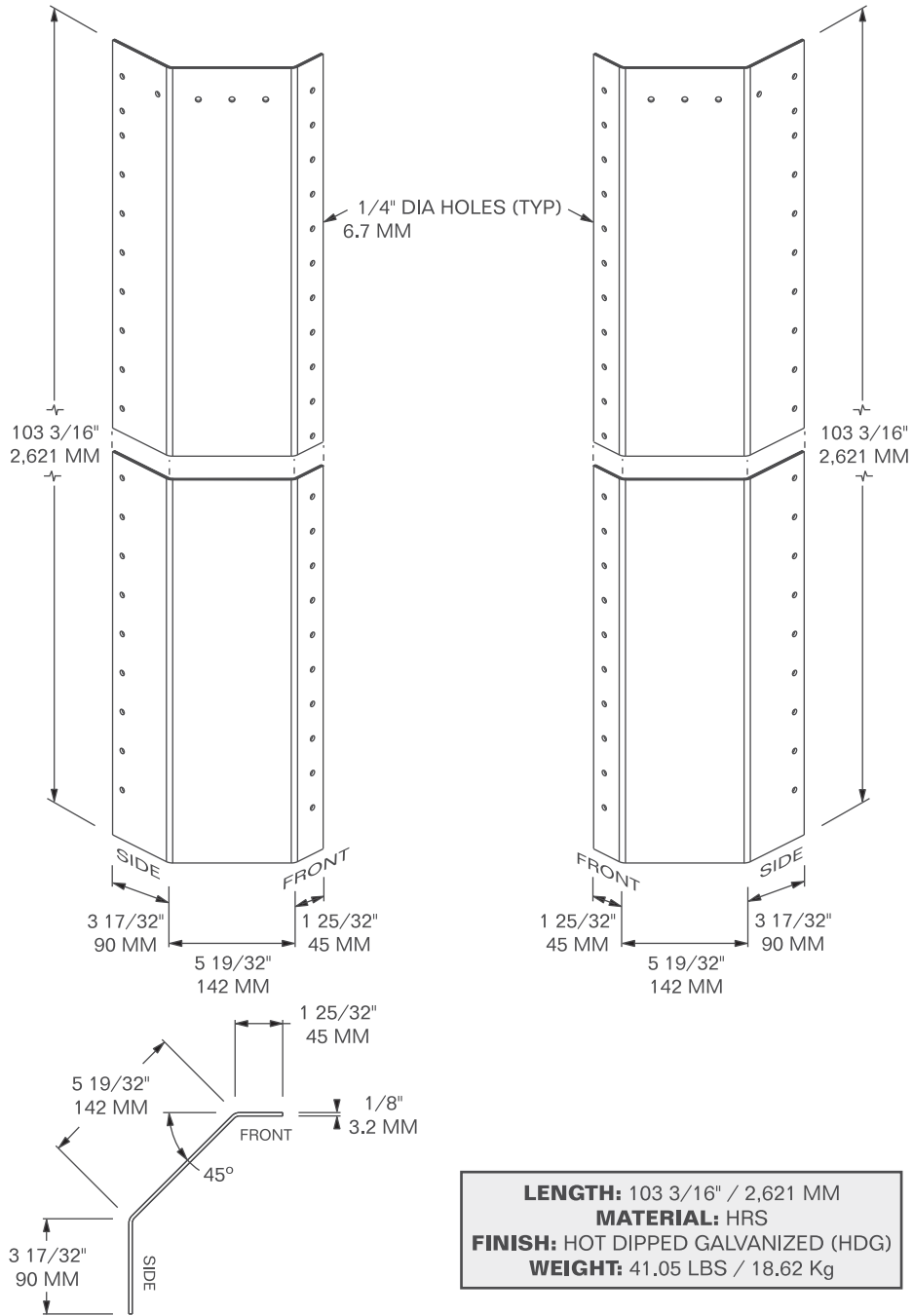
Dimensions: 1 9/16" (40 MM), 1/4" (6 MM), 3" (76.2 MM), 6 7/8" (175 MM), 6 1/4" (159 MM), 3" (76.2 MM), 1 15/16" (50 MM)



# FRONT CORNER POSTS

**MODEL 1205-2748-R**  
**FRONT TRAILER CORNER POST**  
**(CURBSIDE)**  
**SUB FOR: HYUNDAI 20006820**

**MODEL 1205-2748-L**  
**FRONT TRAILER CORNER POST**  
**(ROADSIDE)**  
**SUB FOR: HYUNDAI 20006821**



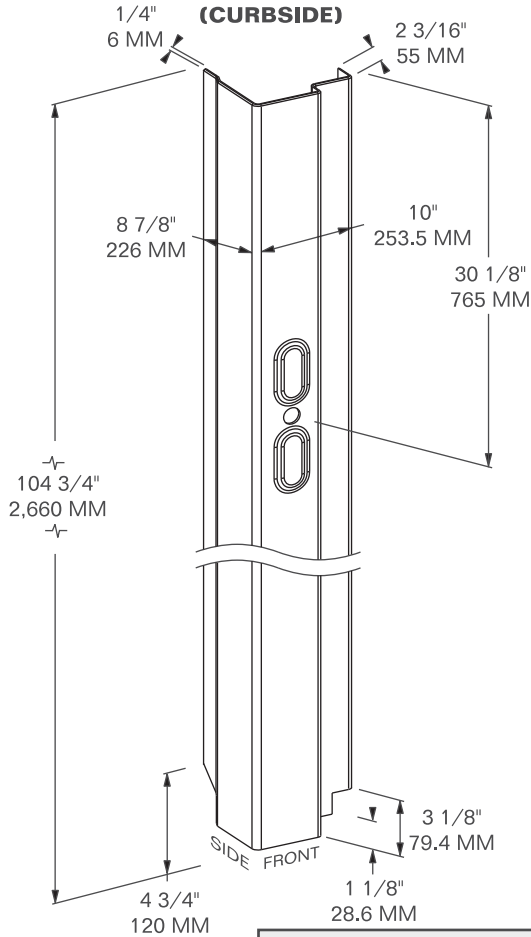
**MODEL 1205-2748-L SHOWN**

# FRONT CORNER POSTS

## 9' 6" REEFER

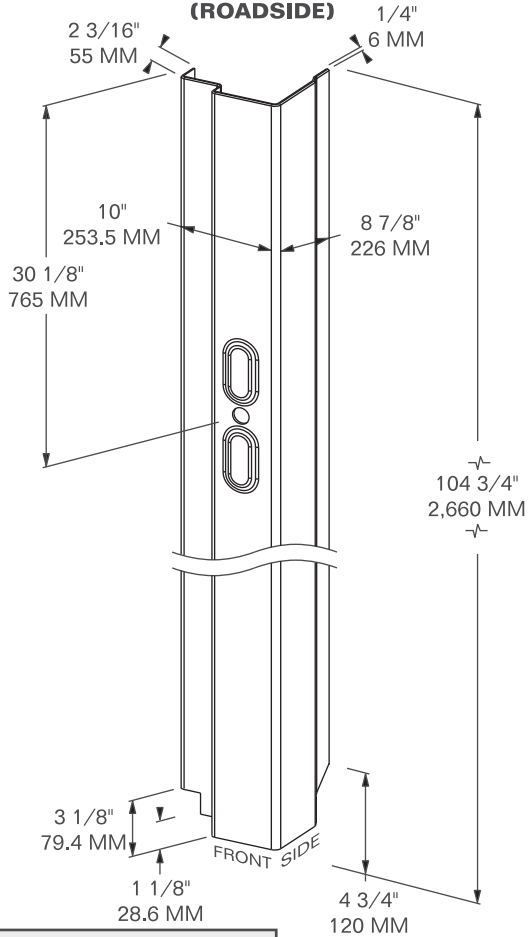
**MODEL 1205-6823-L**

**CONTAINER FRONT CORNER POST (CURBSIDE)**

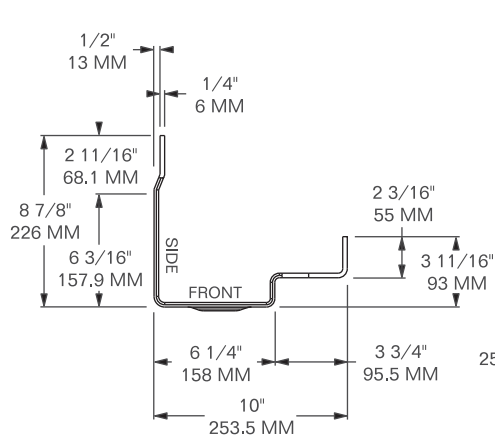


**MODEL 1205-6823-R**

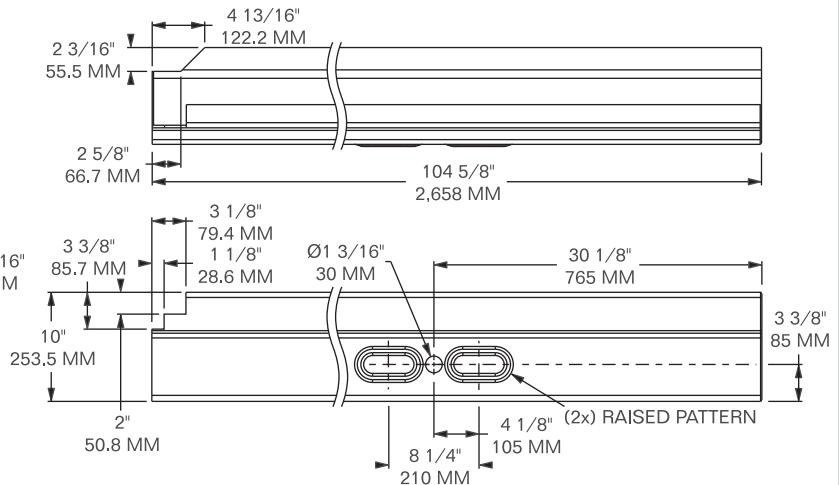
**CONTAINER FRONT CORNER POST (ROADSIDE)**



**FITS:** CIMC REEFER 9' 6"  
**LENGTH:** 104 3/4" / 2,660 MM **MATERIAL:** CORTEN  
**FINISH:** PRIMER **WEIGHT:** 143.0 LBS / 64.9 Kg



**MODEL 1205-6823-L SHOWN**

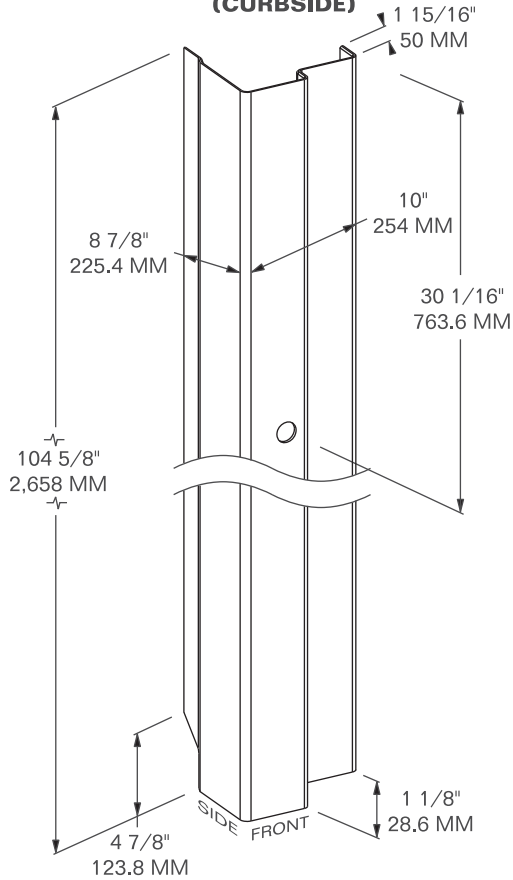


# FRONT CORNER POSTS

## 9' 6" REEFER

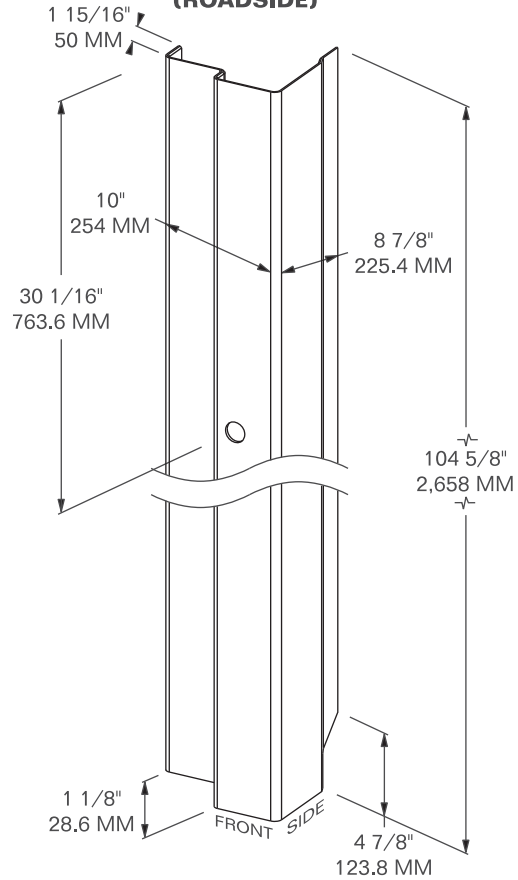
**MODEL 1205-6828-L**

**CONTAINER FRONT CORNER POST (CURBSIDE)**

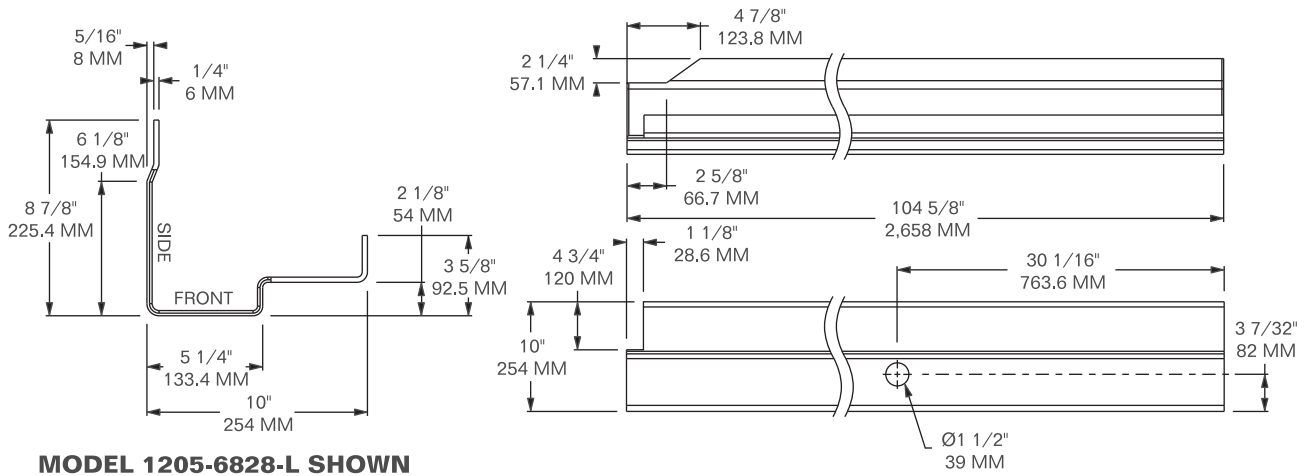


**MODEL 1205-6828-R**

**CONTAINER FRONT CORNER POST (ROADSIDE)**



**FITS:** CIMC REEFER 9' 6"  
**LENGTH:** 104 5/8" / 2,658 MM **MATERIAL:** CORTEN  
**FINISH:** PRIMER **WEIGHT:** 145.0 LBS / 65.8 Kg



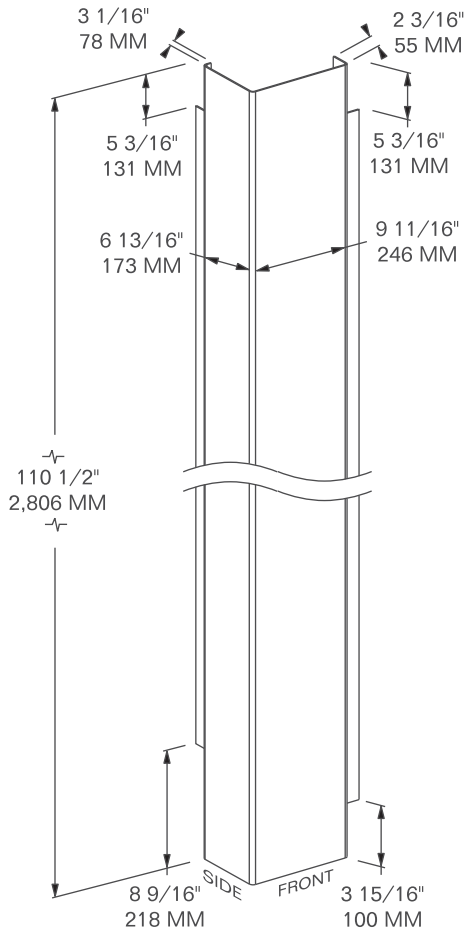
**MODEL 1205-6828-L SHOWN**



# FRONT CORNER POSTS NOTCHED

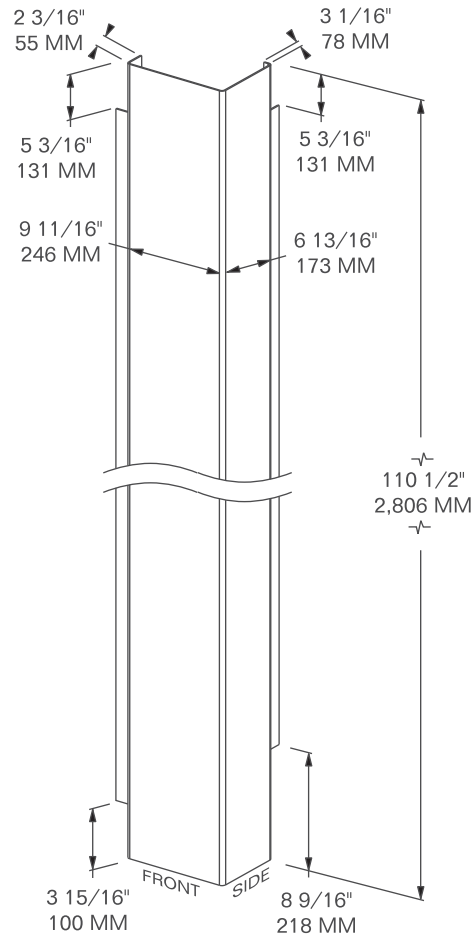
## MODEL 1205-6905-L

### CONTAINER FRONT CORNER POST (CURBSIDE)

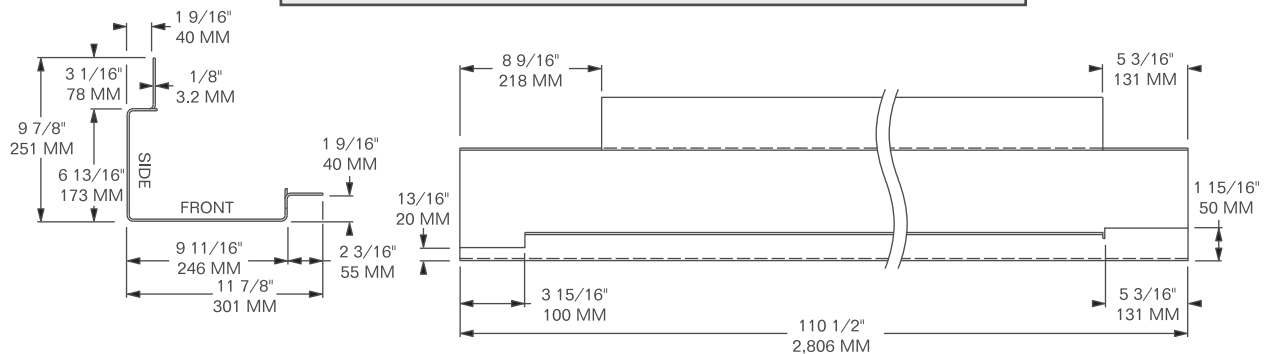


## MODEL 1205-6905-R

### CONTAINER FRONT CORNER POST (ROADSIDE)



**SUB FOR:** JINDO AE0202-3446 **FITS:** 53' WITH 110" DOOR, SPEC. #2  
**LENGTH:** 110 1/2" / 2,806 MM **MATERIAL:** CORTEN  
**FINISH:** PRIMER **WEIGHT:** 86.00 LBS / 39.01 Kg

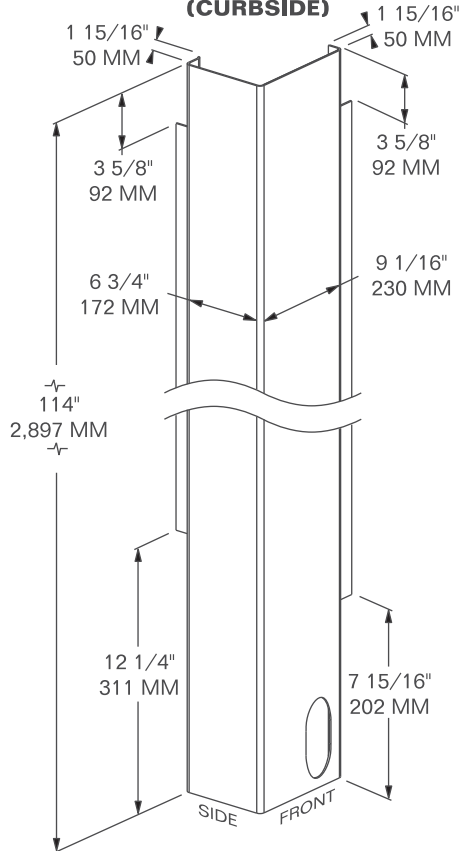


**MODEL 1205-6905-L SHOWN**

# FRONT CORNER POSTS NOTCHED

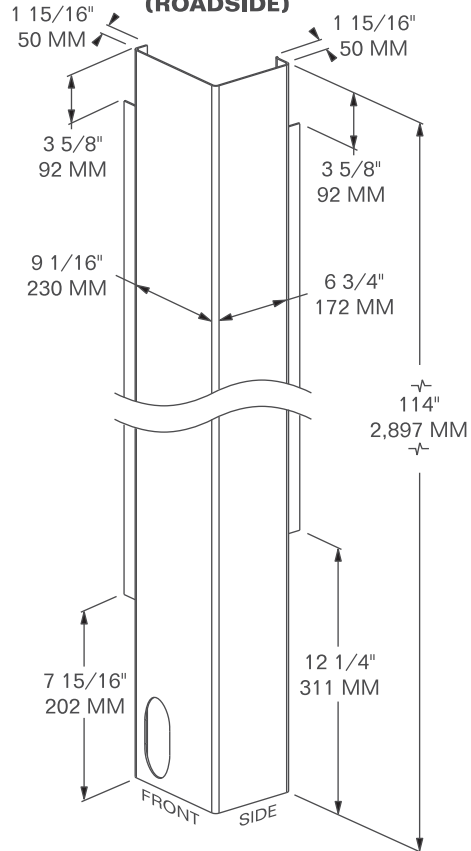
**MODEL 1205-6906-L**

**CONTAINER FRONT CORNER POST  
(CURBSIDE)**

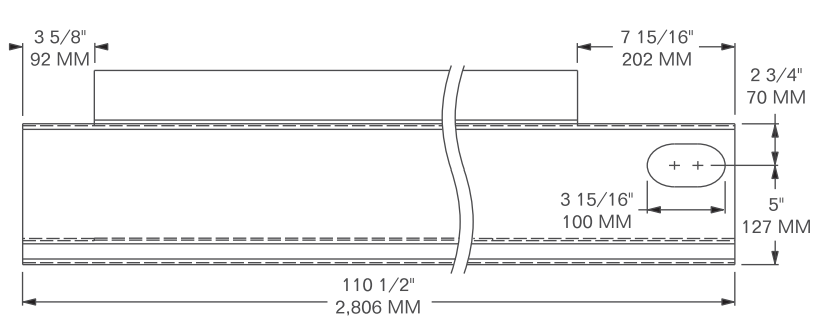
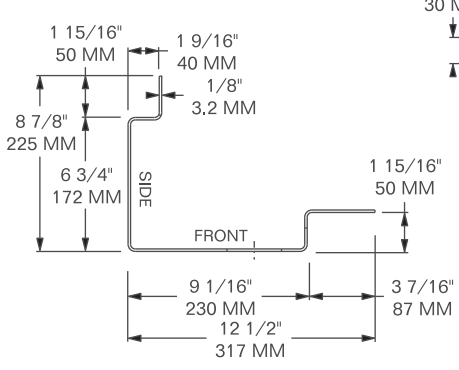
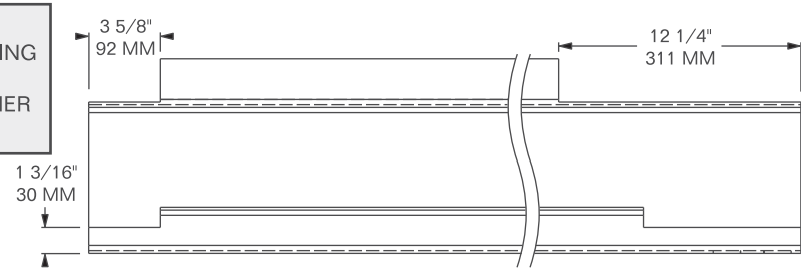


**MODEL 1205-6906-R**

**CONTAINER FRONT CORNER POST  
(ROADSIDE)**



**SUB FOR:** JINDO AD0202-3110  
**FITS:** 48' & 53' WITH 107" DOOR OPENING  
**LENGTH:** 114" / 2,897 MM  
**MATERIAL:** CORTEN **FINISH:** PRIMER  
**WEIGHT:** 83.8 LBS / 38.0 Kg

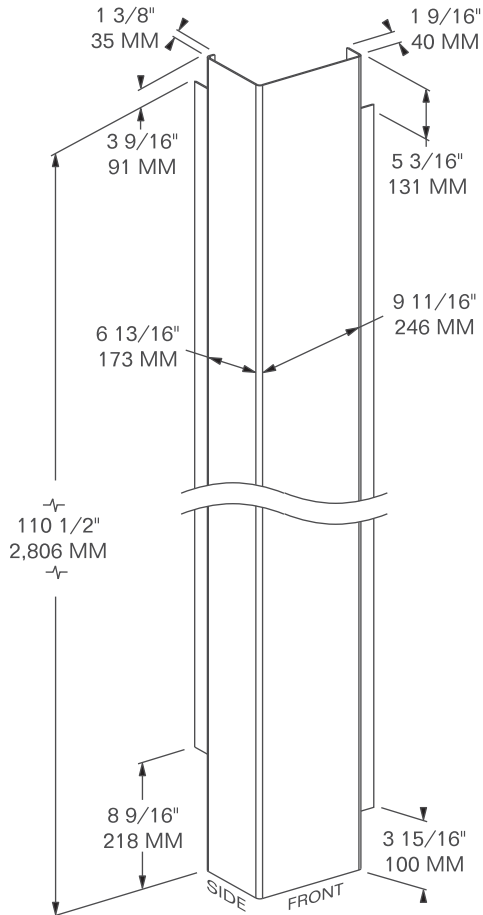


**MODEL 1205-6906-L SHOWN**

# FRONT CORNER POSTS NOTCHED

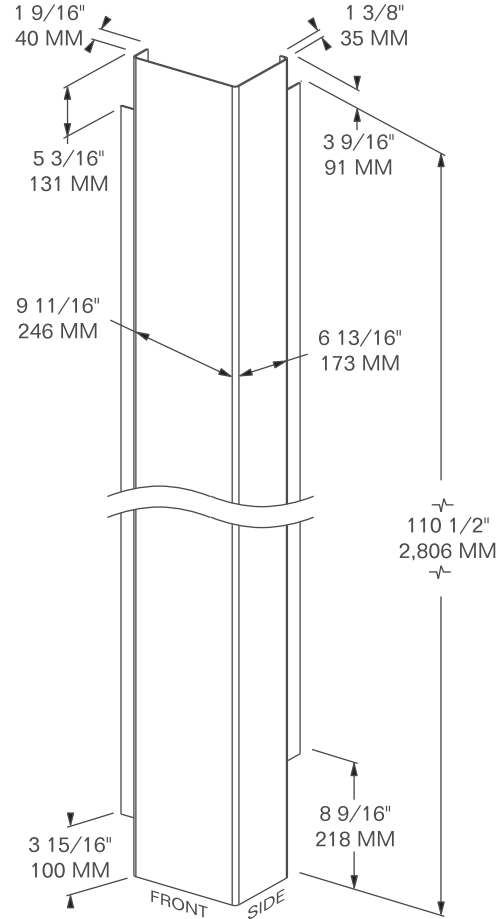
## MODEL 1205-6907-L

### CONTAINER FRONT CORNER POST (CURBSIDE)

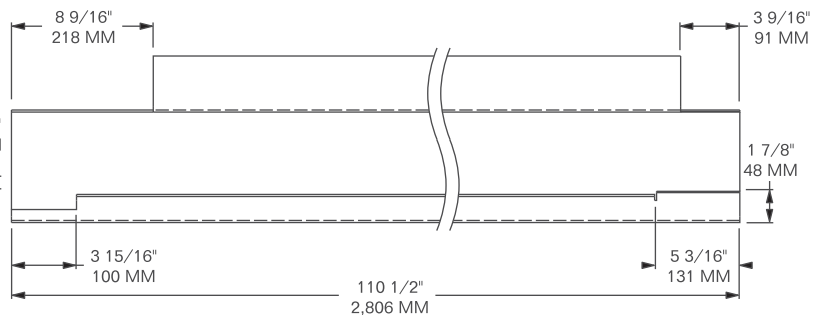
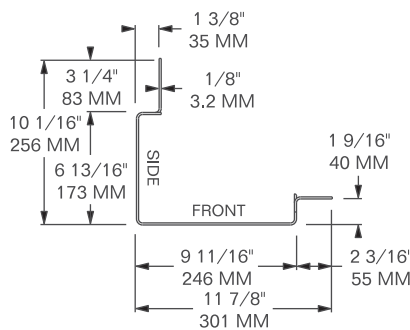


## MODEL 1205-6907-R

### CONTAINER FRONT CORNER POST (ROADSIDE)



**SUB FOR:** JINDO AD0202-3445  
**FITS:** 53" WITH 110" DOOR OPENING, SPEC. #1 **LENGTH:** 110 1/2" / 2,806 MM  
**MATERIAL:** CORTEN **FINISH:** PRIMER  
**WEIGHT:** 83.0 LBS / 37.6 Kg

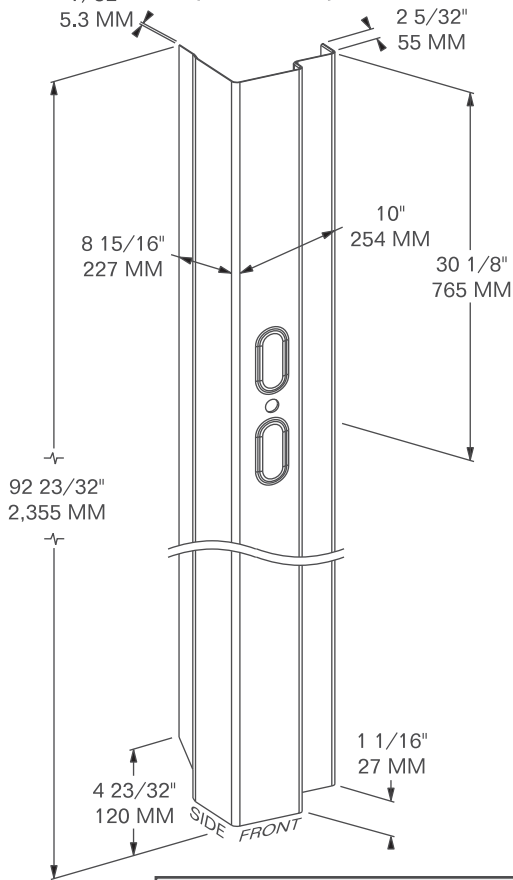


**MODEL 1205-6907-L SHOWN**

# FRONT CORNER POSTS NOTCHED, FOR REEFER CONTAINER

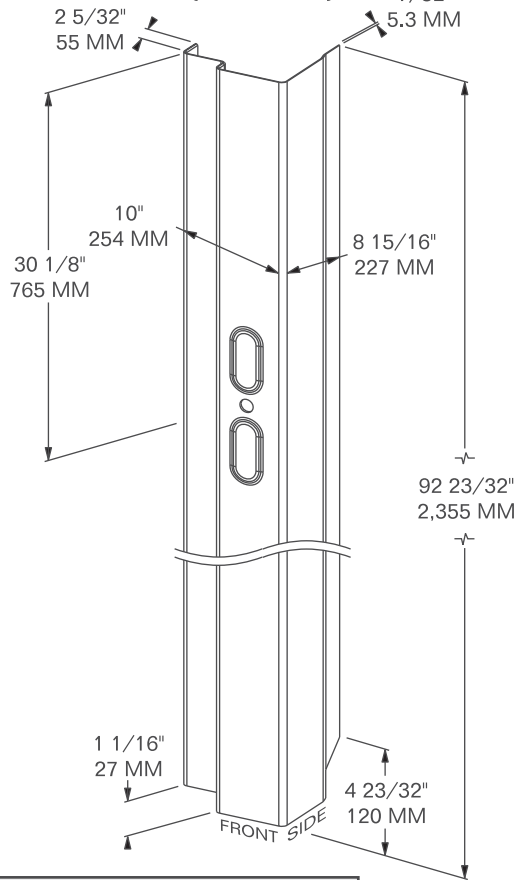
## MODEL 1205-7295-L

### CONTAINER FRONT CORNER POST (CURBSIDE)

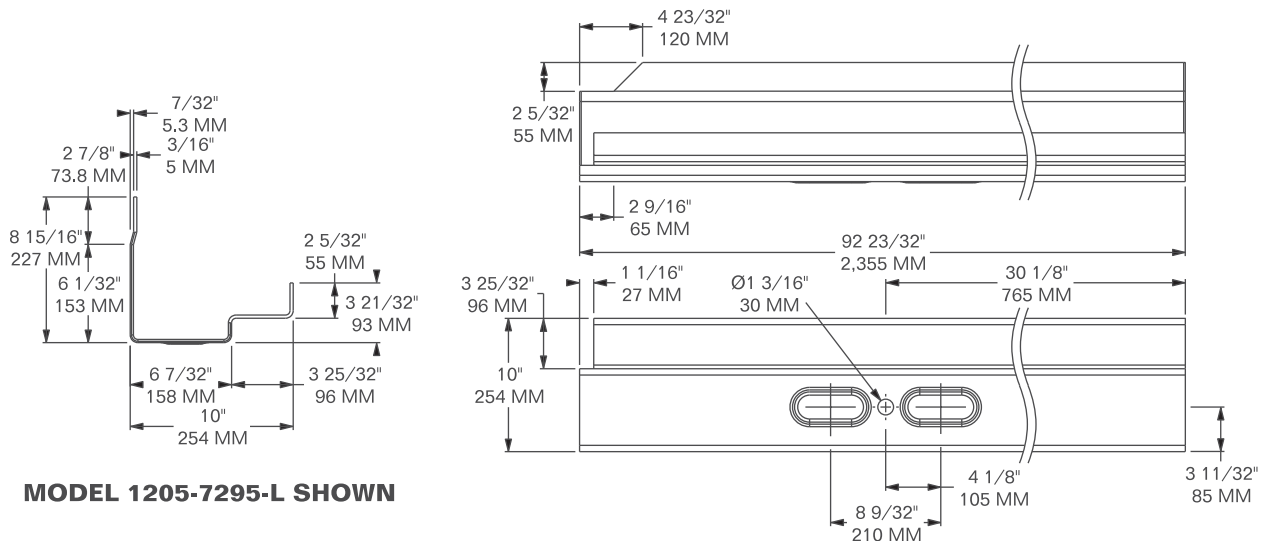


## MODEL 1205-7295-R

### CONTAINER FRONT CORNER POST (ROADSIDE)



**FITS:** CIMC **LENGTH:** 92 23/32" / 2,355 MM  
**MATERIAL:** CORTEN **FINISH:** PRIMER **WEIGHT:** 110.0 LBS / 49.9 Kg

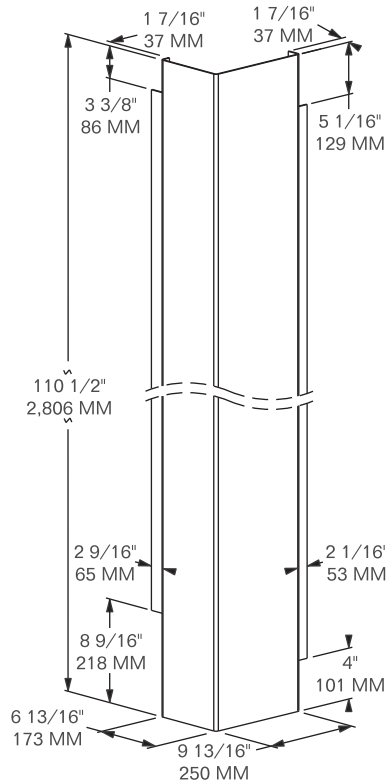


**MODEL 1205-7295-L SHOWN**

# FRONT CORNER POSTS NOTCHED, FOR REEFER CONTAINER

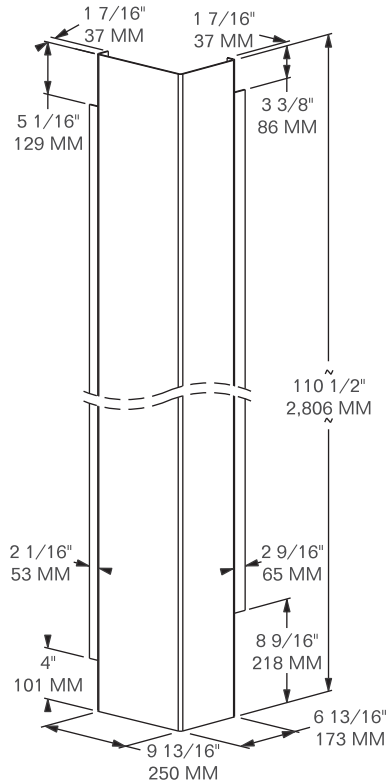
## MODEL 1205-8412-L

### CONTAINER FRONT CORNER POST (CURBSIDE)

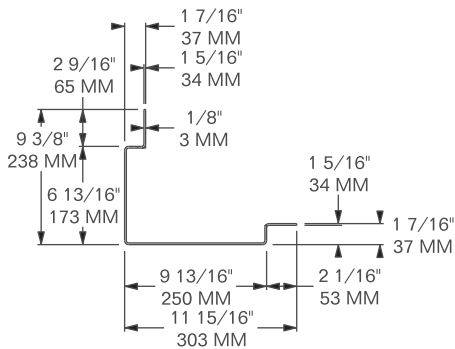


## MODEL 1205-8412-R

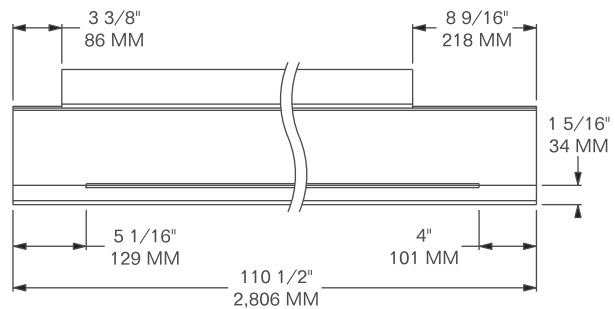
### CONTAINER FRONT CORNER POST (ROADSIDE)



**LENGTH:** 110 1/2" / 2,806 MM **MATERIAL:** CORTEN  
**FINISH:** PRIMER **WEIGHT:** 83.25 LBS / 37.76 Kg



**MODEL 1205-8412-L SHOWN**



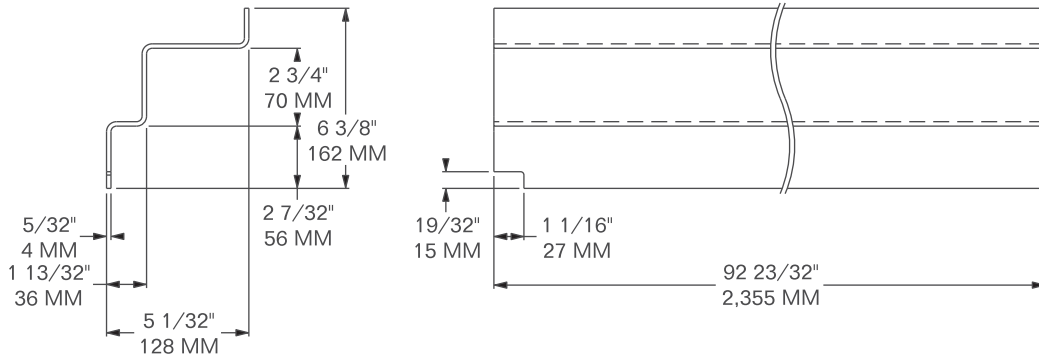
# FRONT CORNER POSTS

## INNER, FOR REEFER CONTAINER

**MODEL 1205-7292-L**

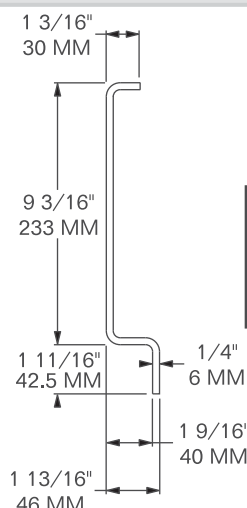
**MODEL 1205-7292-R**

**INNER FRONT CORNER POST**



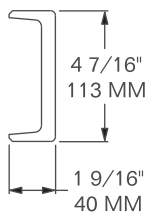
**FITS:** CIMC 40' REEFER  
**LENGTH:**  $92 \frac{23}{32}''$  / 2,355 MM  
**MATERIAL:** STEEL  
**FINISH:** WELDABLE PRIMER  
**WEIGHT:** 44.00 LBS / 19.96 Kg

# REAR CORNER POSTS OUTER & INNER



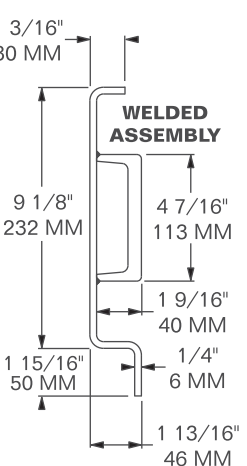
**MODEL 1205-2120**  
**OUTER REAR CORNER POST**

**FITS:** ISO 20', 40', 45'  
**LENGTH:** 106 1/4" / 2,700 MM  
**MATERIAL:** CORTEN  
**FINISH:** PRIMER  
**WEIGHT:** 89.0 LBS / 40.4 Kg



**MODEL 1205-2121**  
**INNER REAR CORNER POST**

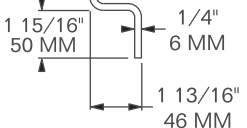
**FITS:** ISO 20', 40', 45'  
**LENGTH:** 104 5/8" / 2,657 MM  
**MATERIAL:** STD STEEL  
**FINISH:** PRIMER  
**WEIGHT:** 81.0 LBS / 36.7 Kg



**MODEL 1205-2911**  
**REAR CORNER POST ASSEMBLY**

**WELDED ASSEMBLY**

**FITS:** ISO 20', 40' x 8' 6"  
**LENGTH:** 94 1/2" / 2,400 MM  
**MATERIAL:** CORTEN  
**FINISH:** PRIMER  
**WEIGHT:** 141.0 LBS / 64.0 Kg



**MODEL 1205-2912**  
**REAR CORNER POST ASSEMBLY**

**FITS:** ISO 20', 40', 45' x 9' 6"  
**LENGTH:** 106 1/4" / 2,700 MM  
**MATERIAL:** CORTEN  
**FINISH:** PRIMER  
**WEIGHT:** 170.0 LBS / 77.1 Kg

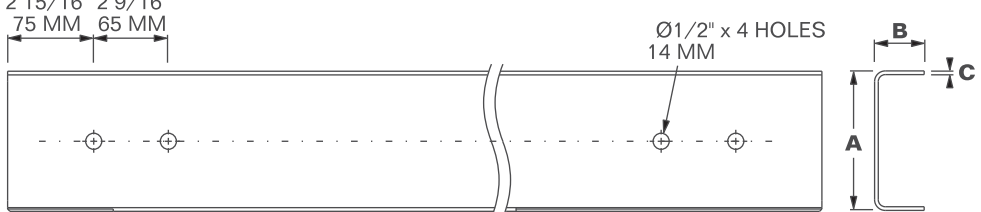


**MODELS 1205-6893 & 1205-6894**  
**HAVE 4 HOLES AS SHOWN**

**MODEL 1205-6892 DOES NOT HAVE HOLES**

MODELS 1205-6893 & 1205-6894  
2 15/16" 2 9/16"  
75 MM 65 MM

Ø1/2" x 4 HOLES  
14 MM



MODEL	A	B	C	LENGTH	WEIGHT	SUB FOR	FITS
1205-6892	4 3/4" / 121 MM	1 11/16" / 42.9 MM	1/8" / 3.2 MM	113 5/8" / 2,886 MM	27.7 LBS / 12.6 Kg	JINDO AE0202-0650	48', 53' x 107"
1205-6893	4 13/16" / 122 MM	1 11/16" / 42.9 MM	1/8" / 3.2 MM	113 7/16" / 2,881 MM	28.1 LBS / 12.7 Kg	JINDO AE0202-2614	53' x 110"
1205-6894	4 13/16" / 122 MM	1 9/16" / 39.7 MM	1/8" / 3.2 MM	113 7/16" / 2,881 MM	27.0 LBS / 12.2 Kg	JINDO AE0202-2613	53' x 110"

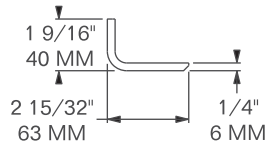


# REAR CORNER POSTS

## OUTER & INNER

**MODEL 1205-7294**

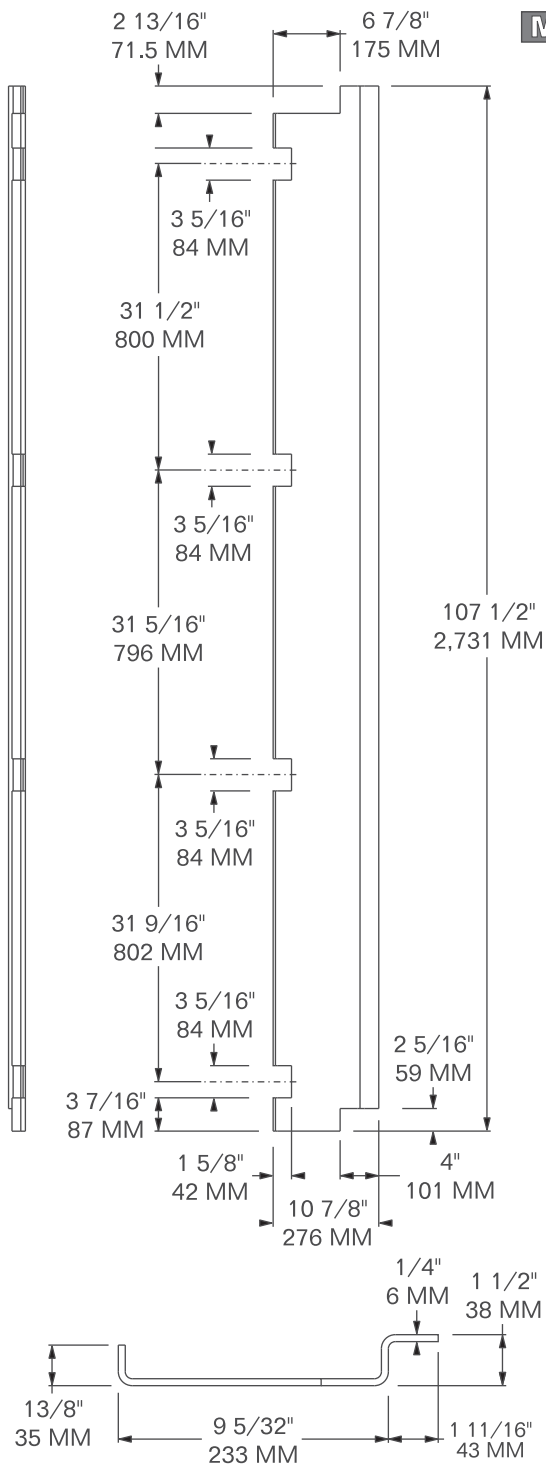
**INNER REAR CORNER POST**



**FITS:** CIMC 40' REEFER  
**LENGTH:** 7' 8 23/32" / 2,355 MM  
**MATERIAL:** CORTEN  
**FINISH:** PRIMER  
**WEIGHT:** 22.3 LBS / 10.1 Kg

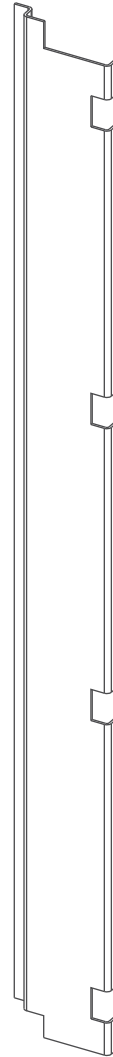


# REAR CORNER POSTS NOTCHED



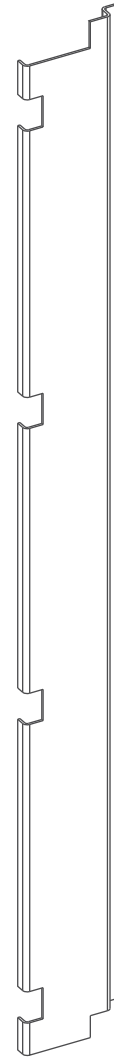
**MODEL 1205-6211-L**

**REAR CORNER POST  
(ROADSIDE)**



**MODEL 1205-6211-R**

**REAR CORNER POST  
(CURBSIDE)**



**MODEL 1205-6211-R SHOWN**

**FITS:** 20', 40', 45' x 9'6" ISO  
**LENGTH:** 107 1/2" / 2,731 MM  
**MATERIAL:** CORTEN  
**FINISH:** PRIMER  
**WEIGHT:** 88.0 LBS / 39.9 Kg

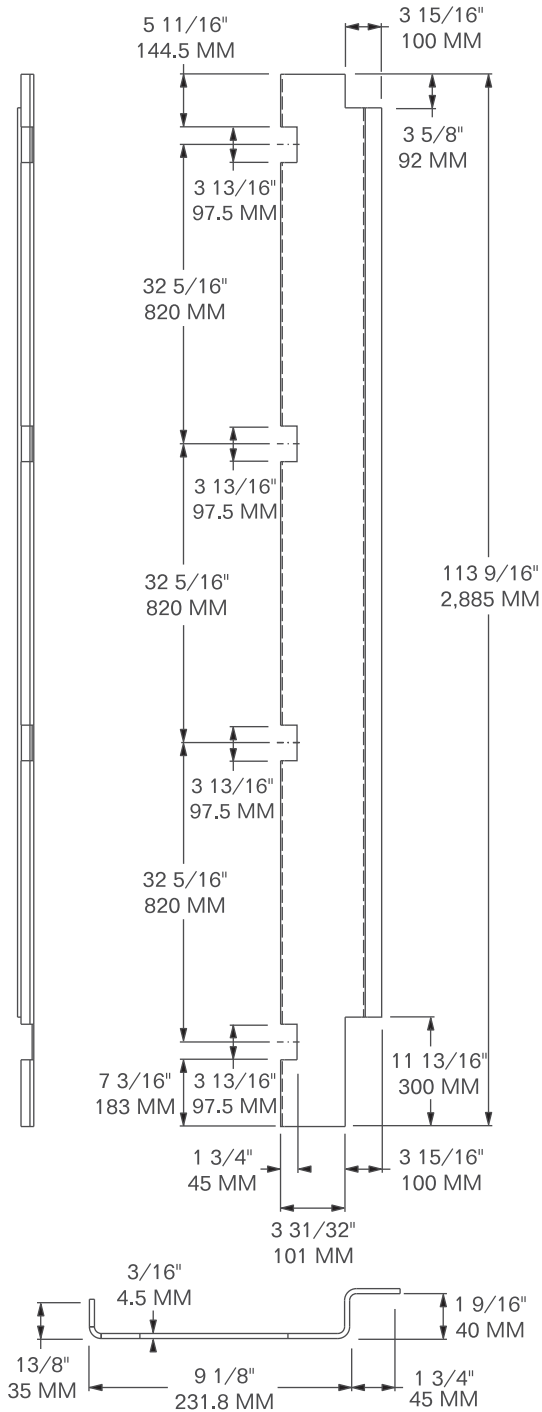
# REAR CORNER POSTS NOTCHED

**MODEL 1205-6888-L**

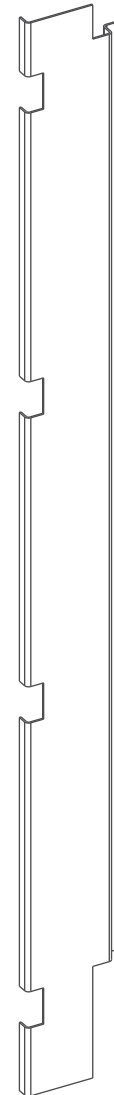
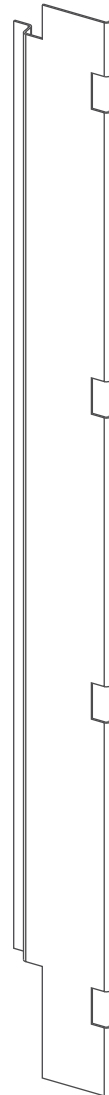
**REAR CORNER POST  
(ROADSIDE)**

**MODEL 1205-6888-R**

**REAR CORNER POST  
(CURBSIDE)**

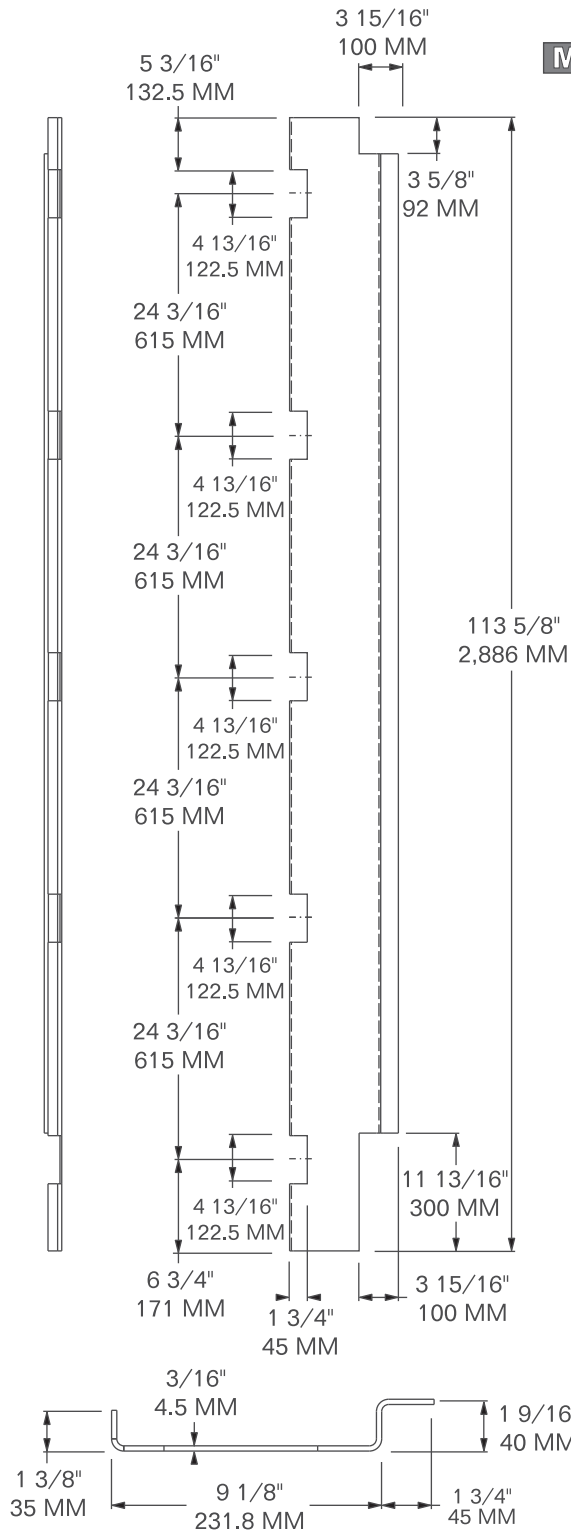


**MODEL 1205-6888-R SHOWN**



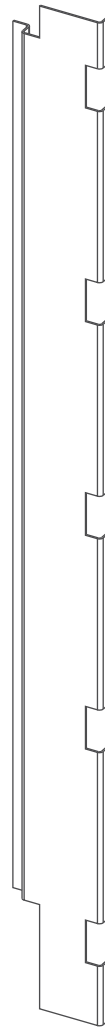
**SUB FOR:** JINDO AE0201-2400  
**FITS:** JINDO 53' WITH 107" DOOR OPENING,  
 SPEC. #1, PACER, CSX  
**LENGTH:** 113 9/16" / 2,886 MM  
**MATERIAL:** CORTEN **FINISH:** PRIMER  
**WEIGHT:** 64.0 LBS / 29.0 Kg

# REAR CORNER POSTS NOTCHED



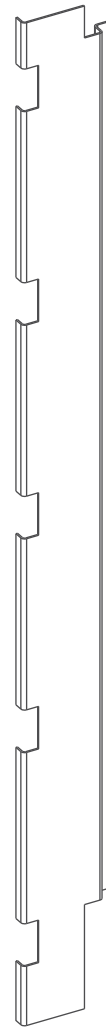
**MODEL 1205-6889-L**

**REAR CORNER POST  
(ROADSIDE)**



**MODEL 1205-6889-R**

**REAR CORNER POST  
(CURBSIDE)**

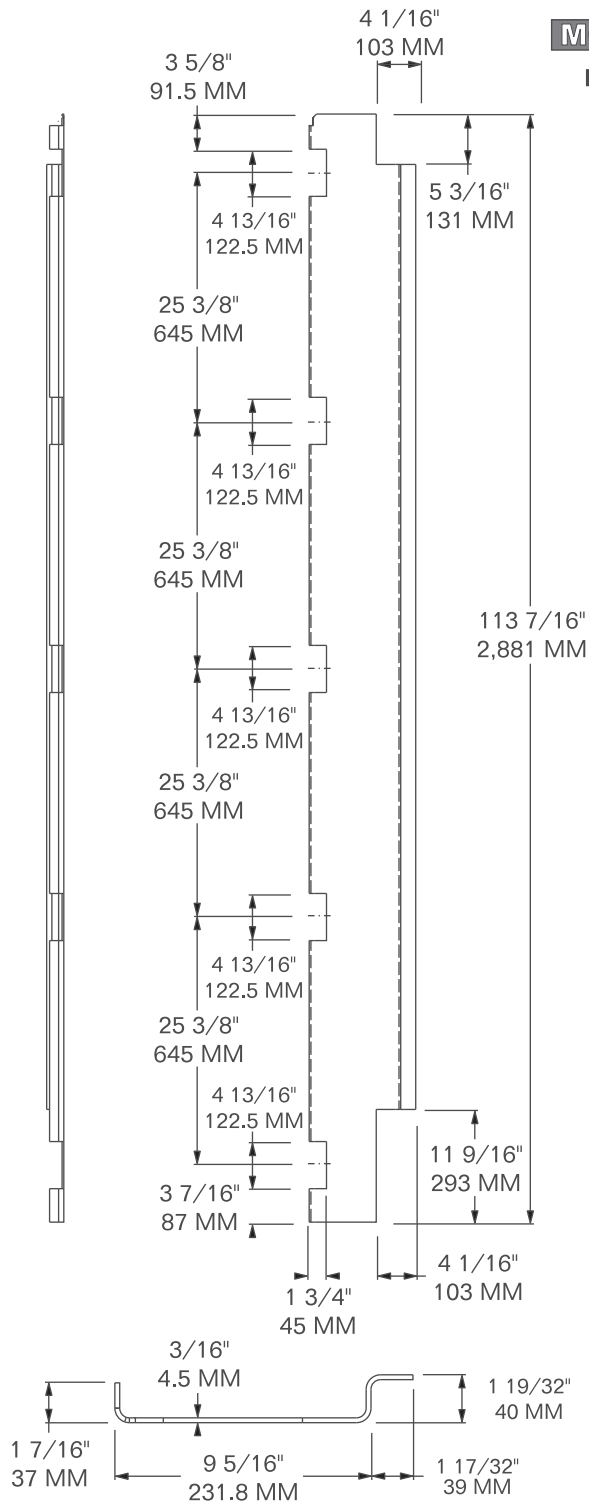


**MODEL 1205-6889-R SHOWN**

**SUB FOR:** JINDO AE0201-2407  
**FITS:** JINDO 48' & 53' WITH 107" DOOR OPENING, SPEC. #2, PACER  
**LENGTH:** 113 5/8" / 2,886 MM  
**MATERIAL:** CORTEN **FINISH:** PRIMER  
**WEIGHT:** 63.0 LBS / 29.6 Kg



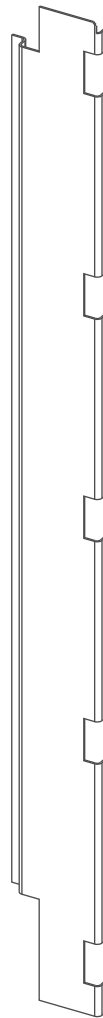
# REAR CORNER POSTS NOTCHED



**MODEL 1205-6891-R SHOWN**

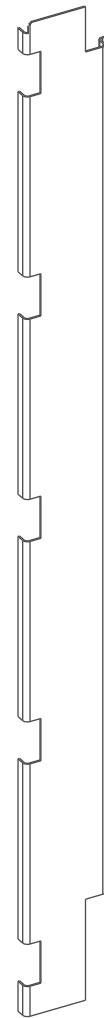
**MODEL 1205-6891-L**

**REAR CORNER POST  
(ROADSIDE)**



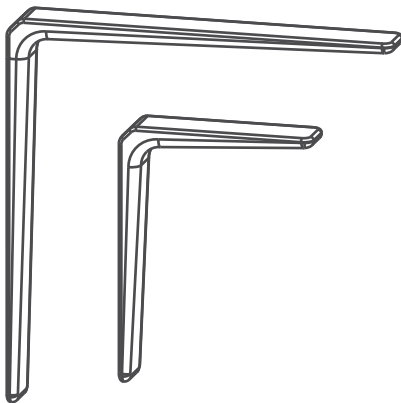
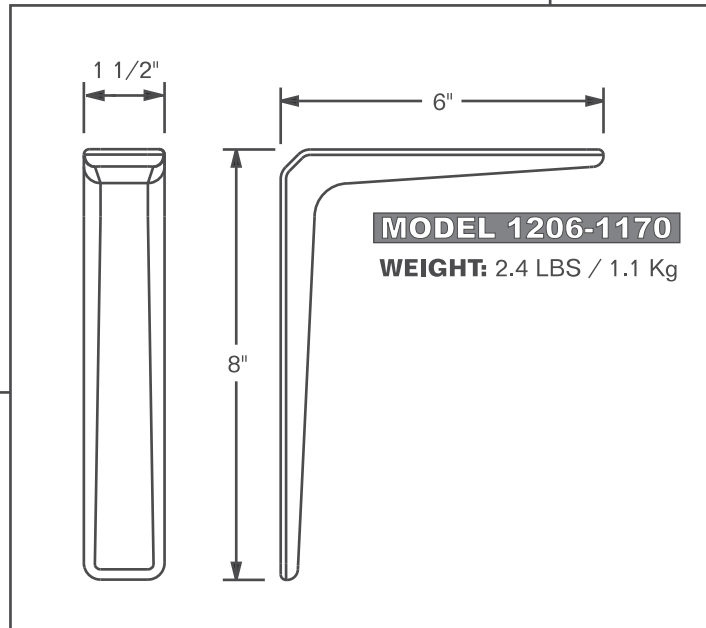
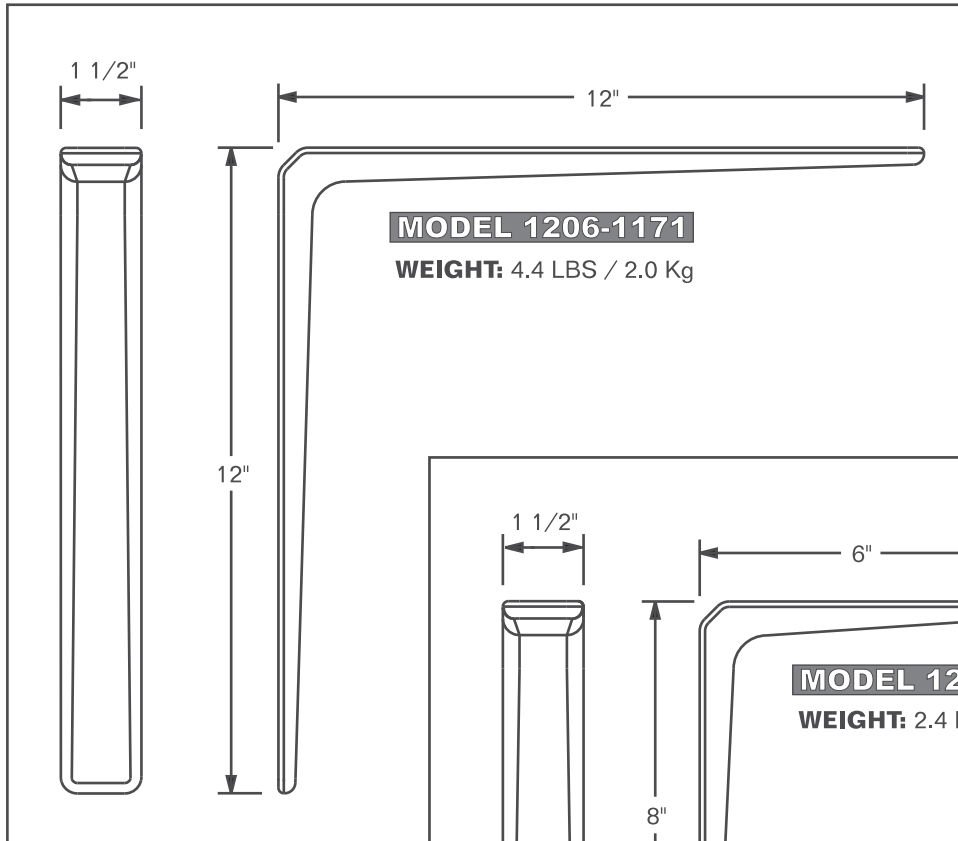
**MODEL 1205-6891-R**

**REAR CORNER POST  
(CURBSIDE)**



**SUB FOR:** JINDO AE0201-2611  
**FITS:** JINDO 53' WITH 110" DOOR OPENING, SPEC #2,  
 CSX, PACER, HUB  
**LENGTH:** 113 7/16" / 2,881 MM  
**MATERIAL:** CORTEN **FINISH:** PRIMER  
**WEIGHT:** 63.0 LBS / 28.6 Kg

# CORNER BRACKETS

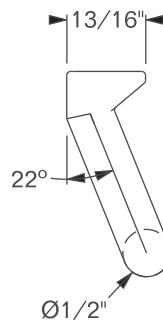
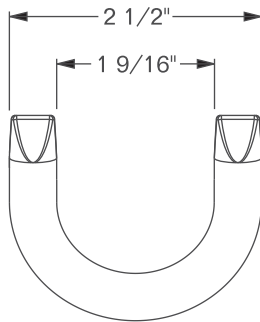
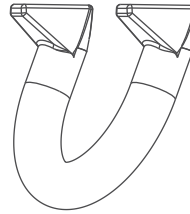


**MATERIAL:** ASTM A27 GR 70-36 CAST STEEL  
WELDABLE, RESISTANT TO BRITTLE FRACTURE, NON-AGEING  
**YIELD STRENGTH:** 36,300 PSI  
**TENSILE STRENGTH:** 70,400 PSI  
**ELONGATION:** 22%



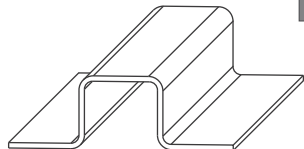
# LASHING RING

**MODEL 1206-2203**

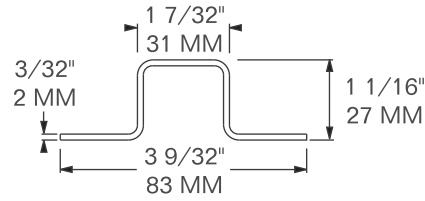


**FITS:** INSIDE ANY STEEL CONTAINER  
**MATERIAL:** FORGED STEEL  
**FINISH:** WELDABLE PRIMER  
**WEIGHT:** 0.26 LBS / 0.11 Kg

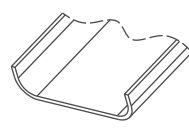
# STRUCTURAL STEEL SHAPES



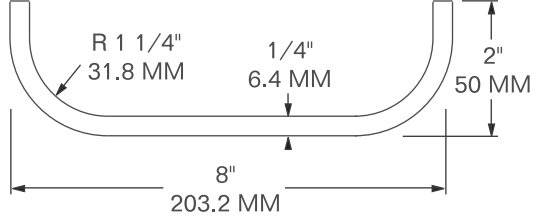
**MODEL 1207-2167**  
**FLOOR SPACER**



**MATERIAL:** FAB STEEL  
**LENGTH:** 96" / 2,440 MM **FINISH:** PRIMER  
**WEIGHT:** 10.55 LBS / 4.8 Kg

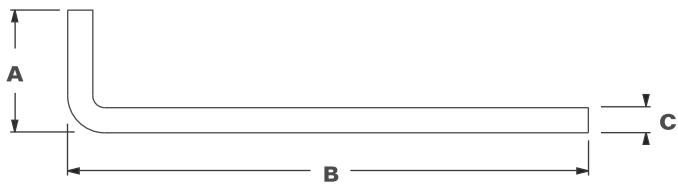


**MODEL 1207-6277**  
**C-CHANNEL RAIL**



**MATERIAL:** FAB STEEL  
**LENGTH:** 96" / 2,440 MM **FINISH:** PRIMER  
**WEIGHT:** 10.55 LBS / 4.8 Kg

**L-PLATES**



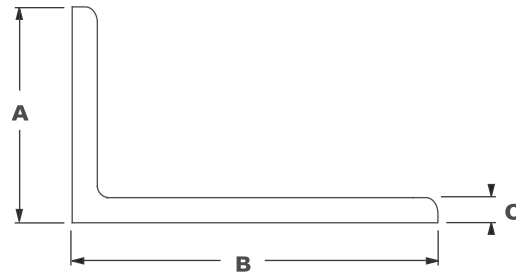
**MATERIAL:** FAB STEEL  
**FINISH:** PRIMER

MODEL	A	B	C	LENGTH	WEIGHT
<b>1207-6278</b>	1/2"	2"	1/8"	120" / 3,048 MM	9.9 LBS / 4.5 Kg
<b>1207-6346</b>	1"	2"	1/4"	96" / 2,438 MM	17.9 LBS / 8.1 Kg
<b>1207-6279</b>	1"	2 1/2"	1/4"	96" / 2,438 MM	24.0 LBS / 10.9 Kg
<b>1207-6124</b>	1 1/4"	6 1/2"	1/4"	104 3/4" / 2,661 MM	53.0 LBS / 24.0 Kg
<b>1207-6221</b>	1 3/8"	2 3/16"	1/4"	104 5/8" / 2,657 MM	22.5 LBS / 10.2 Kg



# STRUCTURAL STEEL SHAPES

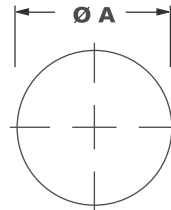
## ANGLE BARS



**MATERIAL:** HRS  
**STEEL:** SELF-COLOR

MODEL	A	B	C	LENGTH	WEIGHT
<b>1207-6168</b>	2"	2"	1/8"	5' 6" / 1,690 MM	9.0 LBS / 4.1 Kg
<b>1207-6169</b>	2"	4"	1/8"	8' / 2,438 MM	19.7 LBS / 8.9 Kg
<b>1207-6170</b>	2"	2"	3/16"	10' / 3,048 MM	24.2 LBS / 11.0 Kg
<b>1207-6171</b>	2"	3"	3/16"	10' / 3,048 MM	30.6 LBS / 13.9 Kg
<b>1207-6172</b>	2"	4"	3/16"	10' / 3,048 MM	37.0 LBS / 16.8 Kg
<b>1207-6173</b>	2"	7"	3/16"	10' / 3,048 MM	56.1 LBS / 25.42 Kg
<b>1207-6174</b>	5"	5"	3/16"	10' / 3,048 MM	62.5 LBS / 28.3 Kg

## ROUND STOCK

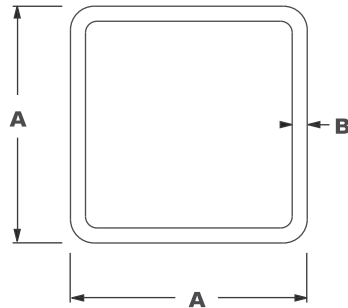


**MATERIAL:** HRS  
**STEEL:** SELF-COLOR

MODEL	Ø A	LENGTH	WEIGHT
<b>1207-6143</b>	1/4" / 6.4 MM	20' / 6,096 MM	3.3 LBS / 1.5 Kg
<b>1207-6144</b>	3/8" / 9.5 MM	20' / 6,096 MM	7.5 LBS / 3.4 Kg
<b>1207-6145</b>	1/2" / 12.7 MM	20' / 6,096 MM	13.4 LBS / 6.1 Kg
<b>1207-6146</b>	5/8" / 15.9 MM	20' / 6,096 MM	20.9 LBS / 9.5 Kg
<b>1207-6147</b>	3/4" / 19.1 MM	20' / 6,096 MM	30.0 LBS / 13.6 Kg
<b>1207-6148</b>	7/8" / 22.2 MM	20' / 6,096 MM	41.0 LBS / 18.6 Kg
<b>1207-6149</b>	1" / 25.4 MM	20' / 6,096 MM	53.4 LBS / 24.2 Kg
<b>1207-6150</b>	1 1/4" / 31.9 MM	20' / 6,096 MM	87.5 LBS / 39.7 Kg

# STRUCTURAL STEEL SHAPES

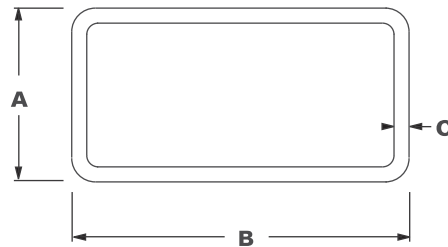
## SQUARE TUBE



**FINISH: SELF-COLOR**

MODEL	A	B	LENGTH	WEIGHT	MATERIAL
<b>1207-6151</b>	1"	1/8"	24' / 7,315 MM	34.0 LBS / 15.4 Kg	HR STEEL
<b>1207-6152</b>	2"	3/16"	24' / 7,315 MM	108.0 LBS / 49.0 Kg	HR STEEL
<b>1208-2134</b>	2 3/8"	1/8"	18' 8" / 5,700 MM	65.1 LBS / 29.5 Kg	CORTEN
<b>1207-6153</b>	4"	3/16"	24' / 7,315 MM	230.0 LBS / 104.3 Kg	HR STEEL
<b>1207-6153-12</b>	4"	3/16"	12' / 3,657 MM	115.0 LBS / 52.1 Kg	HR STEEL
<b>1207-6154</b>	6"	1/4"	20' / 6,096 MM	383.0 LBS / 173.9 Kg	HR STEEL
<b>1207-6154-10</b>	6"	1/4"	10' / 3,048 MM	191.5 LBS / 86.8 Kg	HR STEEL

## RECTANGULAR TUBE

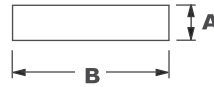


**FINISH: SELF-COLOR**

MODEL	A	B	C	LENGTH	WEIGHT	MATERIAL
<b>1208-6271</b>	1 15/16"	3 15/16"	1/16"	19' 3/8" / 5,920 MM	75.0 LBS / 34.0 Kg	CORTEN
<b>1207-6203</b>	2"	4"	3/16"	24' / 7,315 MM	168.4 LBS / 76.4 Kg	HR STEEL
<b>1207-6155</b>	2"	6"	1/4"	4' / 1,219 MM	42.1 LBS / 19.1 Kg	HR STEEL
<b>1207-6175</b>	5"	7"	1/4"	20' / 6,096 MM	383.1 LBS / 173.8 Kg	HR STEEL

# STRUCTURAL STEEL SHAPES

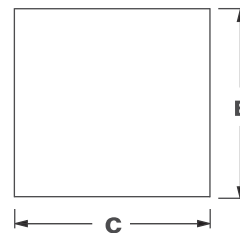
## FLAT BAR



**MATERIAL:** HRS  
**STEEL:** SELF-COLOR

MODEL	A	B	LENGTH	WEIGHT
1207-6183	1/2"	3/4"	20' / 6,096 MM	25.0 LBS / 11.3 Kg
1207-6158	3/16"	2"	20' / 6,096 MM	25.0 LBS / 11.3 Kg
1207-6159	1/4"	2"	20' / 6,096 MM	34.0 LBS / 15.4 Kg
1208-6160	1/2"	2"	20' / 6,096 MM	68.0 LBS / 30.8 Kg
1207-6161	5/8"	2"	20' / 6,096 MM	85.0 LBS / 38.6 Kg
1208-6162	1/2"	2 1/2"	20' / 6,096 MM	85.0 LBS / 38.6 Kg
1207-6163	1/4"	3"	20' / 6,096 MM	50.0 LBS / 22.7 Kg
1207-6164	3/16"	4"	20' / 6,096 MM	50.0 LBS / 22.7 Kg
1207-6165	1/8"	8"	20' / 6,096 MM	68.0 LBS / 30.8 Kg
1207-6166	3/16"	8"	20' / 6,096 MM	100.0 LBS / 45.4 Kg
1207-6167	1/4"	8"	20' / 6,096 MM	135.8 LBS / 61.6 Kg

## PLATE STEEL

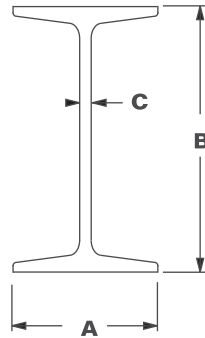


**MATERIAL:** HRS  
**STEEL:** SELF-COLOR

MODEL	A	B	C	WEIGHT
1207-6125	1/8"	24"	24"	19.8 LBS / 9.0 Kg
1207-6126	1/8"	96"	48"	159.2 LBS / 72.2 Kg
1207-6176	3/16"	72"	11"	40.8 LBS / 18.5 Kg
1207-6177	3/16"	96"	48"	238.2 LBS / 108.0 Kg
1207-6178	3/16"	98"	48"	249.9 LBS / 113.4 Kg
1207-6179	3/16"	120"	48"	306.0 LBS / 138.8 Kg
1207-6180	1/4"	22 1/2"	7"	11.2 LBS / 5.1 Kg
1207-6181	1/4"	76"	12 1/2"	70.0 LBS / 31.8 Kg
1207-6182	1/4"	96"	48"	339.5 LBS / 154.0 Kg

# STRUCTURAL STEEL SHAPES

## I-BEAM



**MATERIAL:** HRS  
**STEEL:** SELF-COLOR

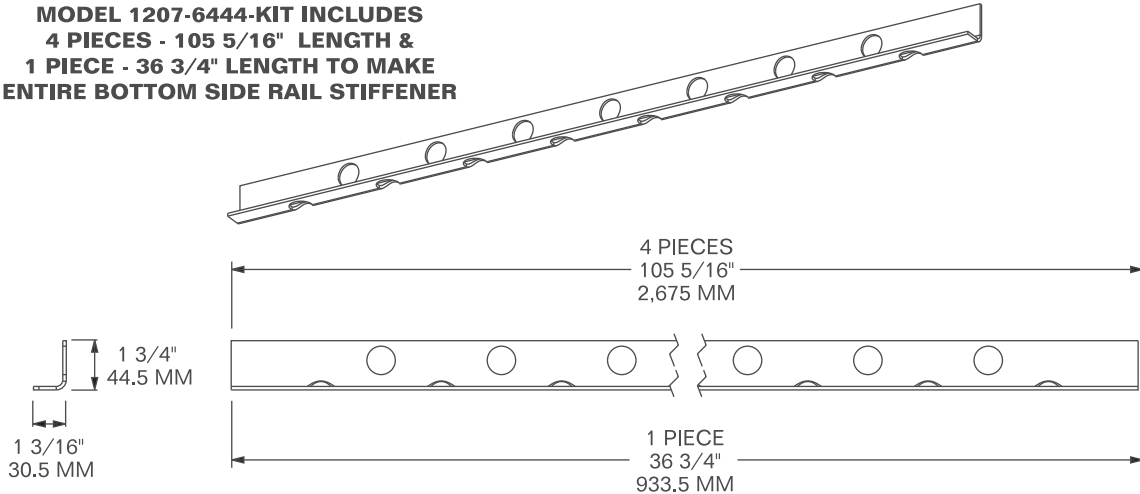
MODEL	A	B	C	LENGTH	WEIGHT
<b>1207-6138</b>	2 1/2"	3"	3/8"	20' / 6,096 MM	140.8 LBS / 63.9 Kg
<b>1207-6139</b>	4"	8"	1/4"	20' / 6,096 MM	298.3 LBS / 135.3 Kg
<b>1207-6140</b>	4"	12"	1/4"	20' / 6,096 MM	366.3 LBS / 166.2 Kg

# BOTTOM SIDE RAIL STIFFENER

**MODEL 1207-6444-KIT**

**BOTTOM SIDE RAIL STIFFENER**

**MODEL 1207-6444-KIT INCLUDES**  
**4 PIECES - 105 5/16" LENGTH &**  
**1 PIECE - 36 3/4" LENGTH TO MAKE**  
**ENTIRE BOTTOM SIDE RAIL STIFFENER**

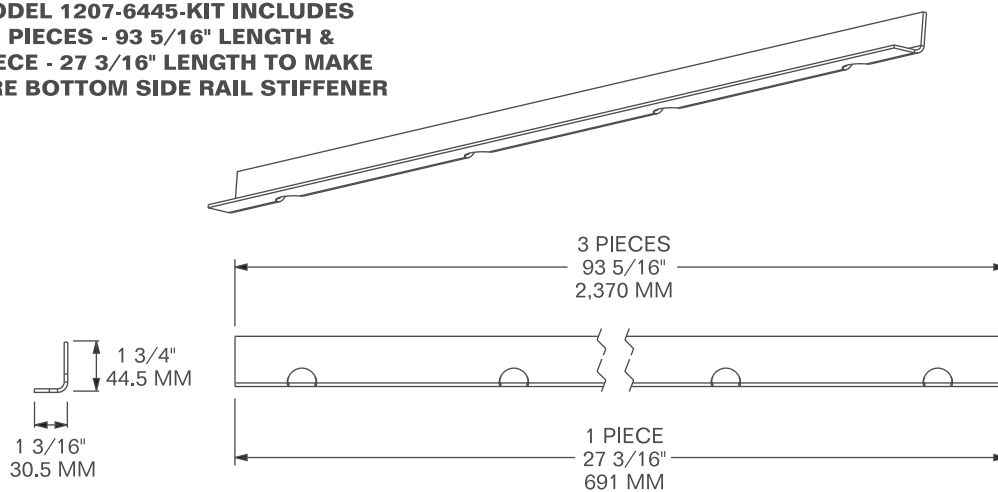


**SUB FOR:** MAERSK 7162103 **FITS:** MCIQ REEFER  
**LENGTH:** 4 PCS 105.3" / 2,674 MM, 1 PC 36.75" / 933.5 MM  
**MATERIAL:** CORTEN **FINISH:** PRIMER  
**WEIGHT:** 39.0 LBS / 17.7 Kg

**MODEL 1207-6445-KIT**

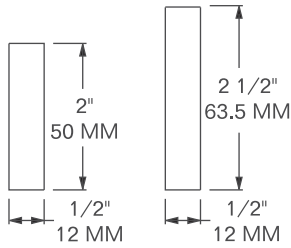
**BOTTOM SIDE RAIL STIFFENER**

**MODEL 1207-6445-KIT INCLUDES**  
**3 PIECES - 93 5/16" LENGTH &**  
**1 PIECE - 27 3/16" LENGTH TO MAKE**  
**ENTIRE BOTTOM SIDE RAIL STIFFENER**



**SUB FOR:** MAERSK 7162102 **FITS:** MCIQ REEFER  
**LENGTH:** 3 PCS 93 5/16" / 2,370 MM, 1 PC 27 3/16" / 691 MM  
**MATERIAL:** CORTEN **FINISH:** PRIMER  
**WEIGHT:** 28.6 LBS / 13.0 Kg

**MODEL 1208-6160**  
**MODEL 1208-6162**  
**TOP RAIL  
FLAT BAR**

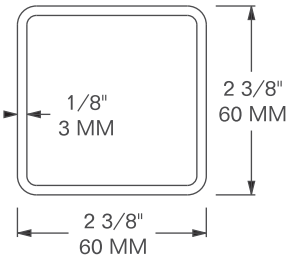


**FITS:** 96" ISO  
**LENGTH:** 20' / 6,096 MM  
**MATERIAL:** FAB STEEL  
**FINISH:** SELF COLOR

**1208-6160**  
**WEIGHT:** 67.0 LBS / 30.4 Kg

**1208-6162**  
**WEIGHT:** 83.0 LBS / 37.7 Kg

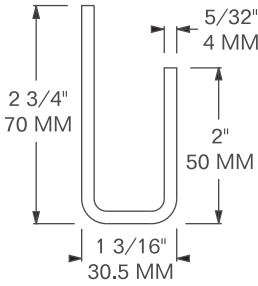
**MODEL 1208-2134**  
**MODEL 1208-2134-10**  
**TOP RAIL  
SQUARE TUBING**



**FITS:** 96" ISO  
**MATERIAL:** CORTEN, PRIMER  
**1208-2134**  
**LENGTH:** 18' 8" / 5,700 MM  
**WEIGHT:** 65.1 LBS / 29.52 Kg

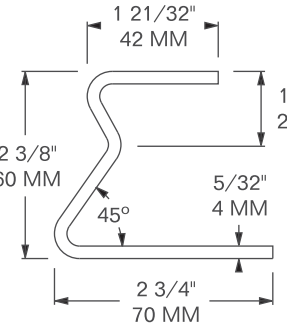
**1208-2134-10**  
**LENGTH:** 10' / 3,048 MM  
**WEIGHT:** 34.8 LBS / 15.7 Kg

**MODEL 1208-2191**  
**TOP RAIL  
INNER**



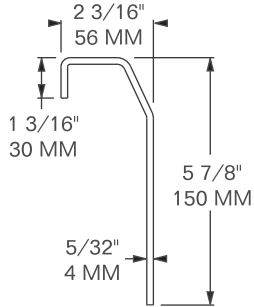
**FITS:** MAERSK DRY ISO  
**LENGTH:** 94 1/2" / 2,400 MM  
**MATERIAL:** CORTEN  
**FINISH:** PRIMER  
**WEIGHT:** 22.84 LBS / 10.36 Kg

**MODEL 1208-2192**  
**TOP RAIL  
OUTER**



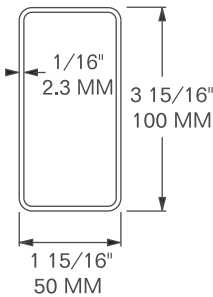
**FITS:** MAERSK DRY ISO  
**LENGTH:** 94 1/2" / 2,400 MM  
**MATERIAL:** CORTEN  
**FINISH:** PRIMER  
**WEIGHT:** 26.8 LBS / 12.16 Kg

**MODEL 1208-6220-19**  
**TOP RAIL**



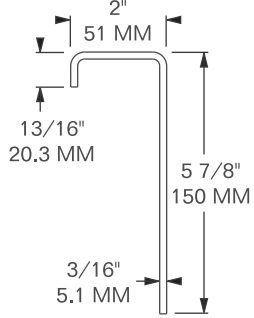
**SUB FOR:** MAERSK 7460029,  
CIMC SA01-C204-C0  
**FITS:** 40' HC REEFER  
**LENGTH:** 18' 8 1/2" / 5,702 MM  
**MATERIAL:** CORTEN  
**FINISH:** PRIMER  
**WEIGHT:** 76.2 LBS / 34.56 Kg

**MODEL 1208-6271**  
**TOP RAIL  
RECTANGULAR TUBING**



**SUB FOR:** JINDO AH0301-0761  
**FITS:** JINDO 53' x 102"  
**LENGTH:** 19' / 5,791 MM  
**MATERIAL:** CORTEN  
**FINISH:** PRIMER  
**WEIGHT:** 62.00 LBS / 28.12 Kg

**MODEL 1208-6441-20**  
**TOP RAIL**



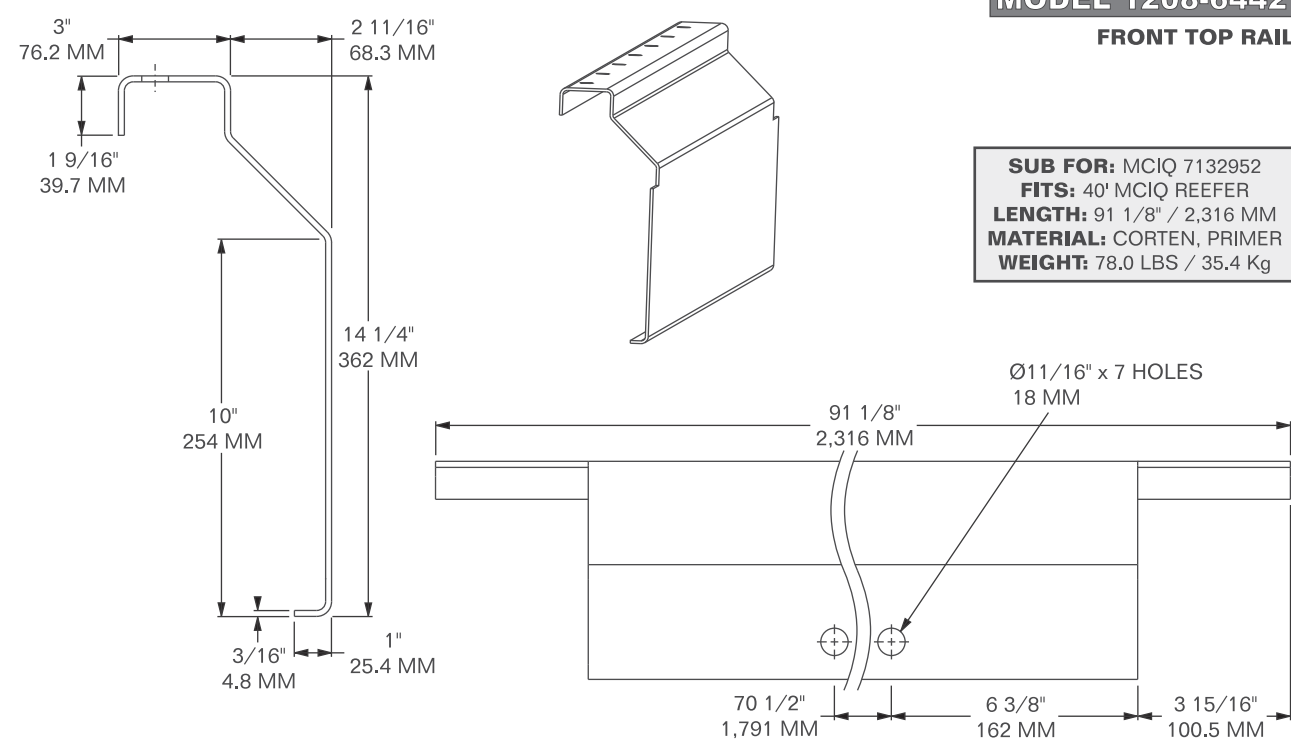
**SUB FOR:** MCIQ 7460006  
**FITS:** MAERSK 40' HC REEFER  
**LENGTH:** 19' 8 1/4" / 6,000 MM  
**MATERIAL:** CORTEN  
**FINISH:** PRIMER  
**WEIGHT:** 88.4 LBS / 40.1 Kg

**TOP RAIL**



**MODEL 1208-6442**  
**FRONT TOP RAIL**

**SUB FOR:** MCIQ 7132952  
**FITS:** 40' MCIQ REEFER  
**LENGTH:** 91 1/8" / 2,316 MM  
**MATERIAL:** CORTEN, PRIMER  
**WEIGHT:** 78.0 LBS / 35.4 Kg



3" 76.2 MM      2 11/16" 68.3 MM  
1 9/16" 39.7 MM  
10" 254 MM  
14 1/4" 362 MM  
3/16" 4.8 MM      1" 25.4 MM

Ø11/16" x 7 HOLES 18 MM  
91 1/8" 2,316 MM  
70 1/2" 1,791 MM      6 3/8" 162 MM      3 15/16" 100.5 MM

**MODEL 1208-7465**  
**TOP RAIL**

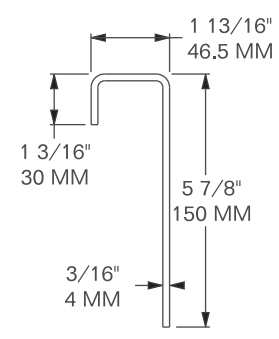
**FITS:** SINGAMAS 40' REEFER  
**LENGTH:** 18' 8 1/2" / 5,702 MM  
**MATERIAL:** CORTEN **FINISH:** PRIMER  
**WEIGHT:** 92.05 LBS / 41.75 Kg



2 3/8" 60 MM  
13/16" 20 MM  
6 5/16" 160 MM  
5/32" 4 MM

**MODEL 1208-7645**  
**TOP RAIL**

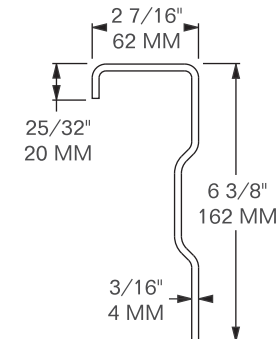
**SPECIAL ORDER**  
**FITS:** CIMC 40' REEFER  
**LENGTH:** 19' / 5,700 MM  
**MATERIAL:** CORTEN  
**FINISH:** PRIMER  
**WEIGHT:** 82.0 LBS / 37.2 Kg



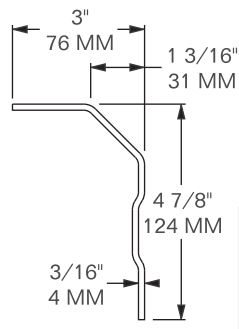
1 13/16" 46.5 MM  
1 3/16" 30 MM  
5 7/8" 150 MM  
3/16" 4 MM

**MODEL 1208-7691**  
**TOP RAIL**

**FITS:** SINGAMAS, CIMC  
**LENGTH:** 19' / 5,791 MM  
**MATERIAL:** CORTEN  
**FINISH:** PRIMER  
**WEIGHT:** 93.7 LBS / 42.5 Kg

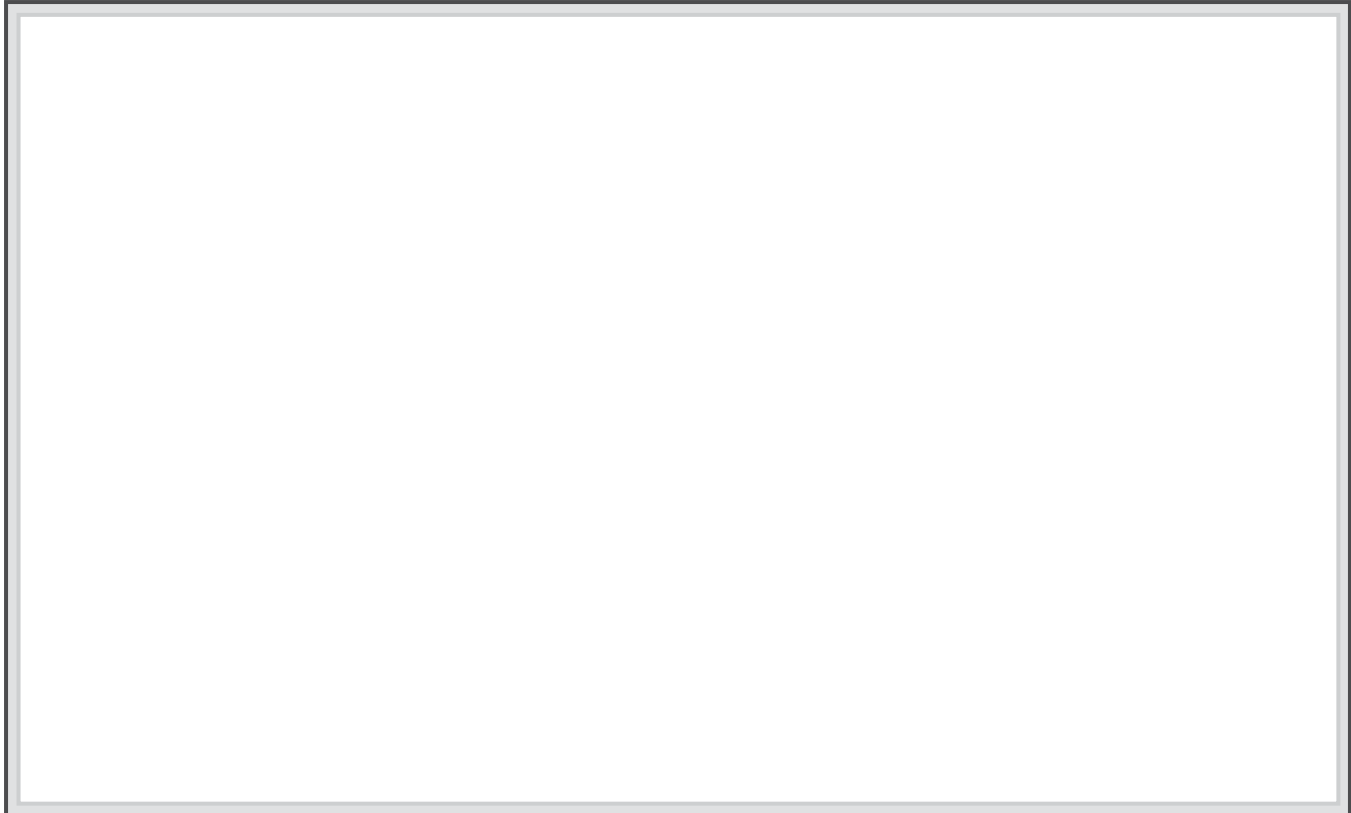


2 7/16" 62 MM  
25/32" 20 MM  
6 3/8" 162 MM  
3/16" 4 MM

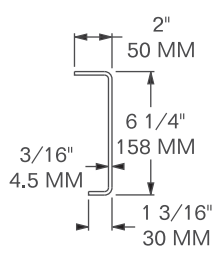


**MODEL 1208-7974**  
**TOP RAIL**

**FITS:** MAERSK TINGLEV 40' REEFER  
**LENGTH:** 94 1/2" / 2,400 MM  
**MATERIAL:** CORTEN  
**FINISH:** PRIMER  
**WEIGHT:** 28.7 LBS / 13.0 Kg

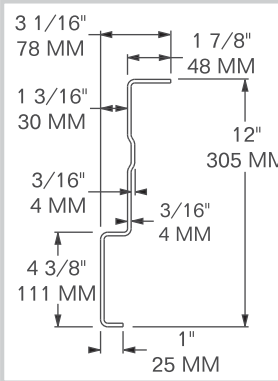


**MODEL 1208-6191**  
**BOTTOM RAIL**



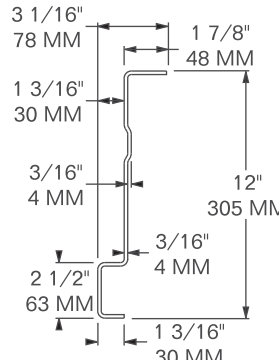
**FITS:** 20', 40' x 96" ISO  
**LENGTH:** 18' 8" / 5,690 MM  
**MATERIAL:** CORTEN  
**FINISH:** PRIMER  
**WEIGHT:** 97.5 LBS / 44.2 Kg

**MODEL 1208-6207**  
**BOTTOM RAIL**



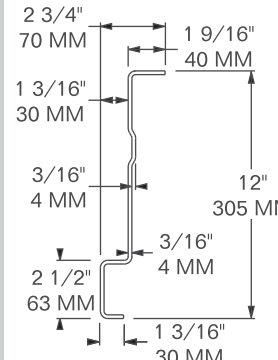
**SUB FOR:** JINDO 102317-4015  
**FITS:** JINDO 48', 53', PACER, CSX, HUB, SWIFT, CIMC/CROWLEY HC53-04B-9  
**LENGTH:** 19' / 5,791 MM  
**MATERIAL:** CORTEN  
**FINISH:** PRIMER  
**WEIGHT:** 159.8 LBS / 72.5 Kg

**MODEL 1208-6213**  
**BOTTOM RAIL**



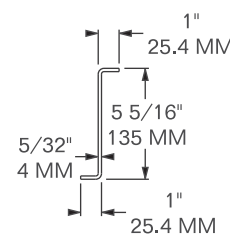
**SUB FOR:** JINDO 102317-4026  
**FITS:** JINDO 53', PACER, CSX  
**LENGTH:** 19' / 5,791 MM  
**MATERIAL:** CORTEN  
**FINISH:** PRIMER  
**WEIGHT:** 146.0 LBS / 66.2 Kg

**MODEL 1208-6215**  
**BOTTOM RAIL**



**SUB FOR:** SINGAMAS, JINDO 102317-4019  
**FITS:** JINDO 53', PACER, CSX  
**LENGTH:** 19' / 5,791 MM  
**MATERIAL:** CORTEN  
**FINISH:** PRIMER  
**WEIGHT:** 145.0 LBS / 65.77 Kg

**MODEL 1208-6217**  
**MODEL 1208-6217-19**  
**BOTTOM RAIL**

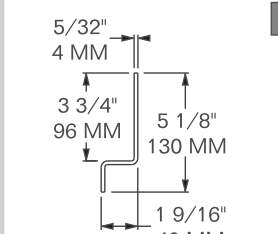


**FITS:** MAERSK MCIQ 40' HC  
**MATERIAL:** CORTEN  
**FINISH:** PRIMER

**1208-6217**  
**LENGTH:** 38' 10" / 11,838 MM  
**WEIGHT:** 134.65 LBS / 61.08 Kg

**1208-6217-19**  
**LENGTH:** 19' / 5,791 MM  
**WEIGHT:** 67.0 LBS / 30.4 Kg

**MODEL 1208-6218**  
**MODEL 1208-6218-19**  
**BOTTOM RAIL**

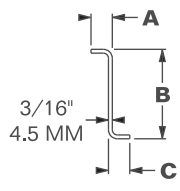


**FITS:** MAERSK 40' HC  
**MATERIAL:** CORTEN  
**FINISH:** PRIMER

**1208-6218**  
**LENGTH:** 38' 10" / 11,838 MM  
**WEIGHT:** 134.65 LBS / 61.08 Kg

**1208-6218-19**  
**LENGTH:** 19' 5" / 5,918 MM  
**WEIGHT:** 64.3 LBS / 29.1 Kg

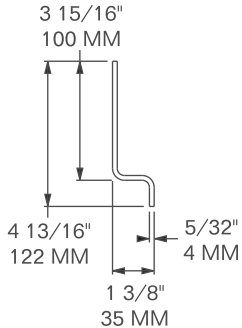
**BOTTOM RAIL**



MODEL #	A	B	C	WEIGHT
1208-7647	1" / 25 MM	4 1/8" / 105 MM	1" / 25 MM	35.0 LBS / 15.9 Kg
1208-7648	1" / 25 MM	5 1/16" / 128 MM	1" / 25 MM	37.0 LBS / 16.8 Kg
1208-7649	1" / 25 MM	5 7/8" / 150 MM	1" / 25 MM	41.0 LBS / 18.6 Kg
1208-7650	1 9/16" / 40 MM	5 7/8" / 150 MM	1" / 25 MM	45.0 LBS / 20.4 Kg

**FITS:** CIMC 40' REEFER  
**LENGTH:** 9' 10 1/8" / 3,000 MM  
**MATERIAL:** CORTEN  
**FINISH:** PRIMER

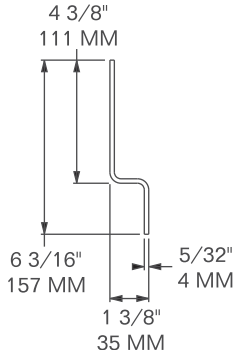
# STEEL SIDE RAILS BOTTOM RAILS



**MODEL 1208-7651**  
**BOTTOM RAIL**

**FITS:** CIMC 40' REEFER  
**LENGTH:** 9' 10 1/8" / 3,000 MM  
**MATERIAL:** CORTEN  
**FINISH:** PRIMER  
**WEIGHT:** 28.0 LBS / 12.7 Kg

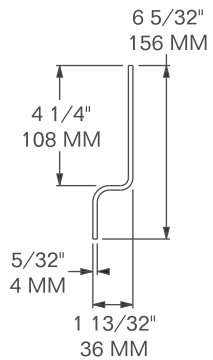
Dimensions: 3 15/16" (100 MM), 4 13/16" (122 MM), 1 3/8" (35 MM), 5/32" (4 MM)



**MODEL 1208-7652**  
**BOTTOM RAIL**

**FITS:** CIMC 40' REEFER  
**LENGTH:** 9' 10 1/8" / 3,000 MM  
**MATERIAL:** CORTEN  
**FINISH:** PRIMER  
**WEIGHT:** 36.0 LBS / 16.3 Kg

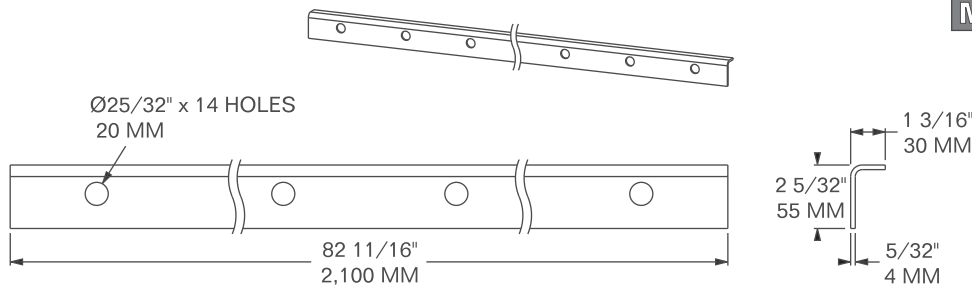
Dimensions: 4 3/8" (111 MM), 6 3/16" (157 MM), 1 3/8" (35 MM), 5/32" (4 MM)



**MODEL 1208-7705-18.7**  
**BOTTOM RAIL**

**FITS:** CIMC 40' REEFER  
**LENGTH:** 18' 8" / 5,690 MM  
**MATERIAL:** CORTEN  
**FINISH:** PRIMER  
**WEIGHT:** 66.0 LBS / 29.9 Kg

Dimensions: 6 5/32" (156 MM), 4 1/4" (108 MM), 1 13/32" (36 MM), 5/32" (4 MM)

**MODEL 1208-7706**  
**BOTTOM RAIL**

**FITS:** CIMC 40' REEFER  
**MATERIAL:** CORTEN  
**FINISH:** PRIMER  
**WEIGHT:** 10.6 LBS / 4.8 Kg

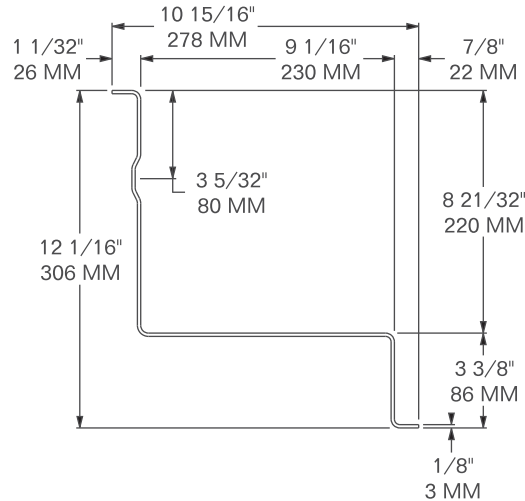
Dimensions: 82 11/16" (2,100 MM), 1 3/16" (30 MM), 2 5/32" (55 MM), 5/32" (4 MM)

Ø25/32" x 14 HOLES  
20 MM



**MODEL 1208-7929**

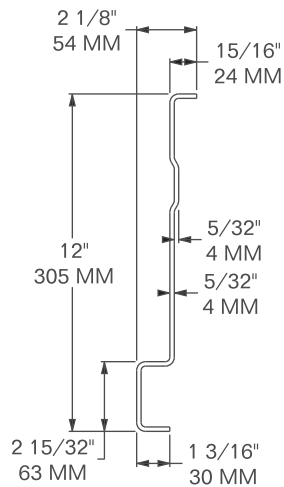
**BOTTOM RAIL, Z-TYPE  
END SECTION, REAR**



**FITS:** SINGAMAS, J.B. HUNT 53'  
**LENGTH:** 5' 11 1/16" / 1,805 MM  
**MATERIAL:** CORTEN STEEL  
**FINISH:** PRIMER  
**WEIGHT:** 51.4 LBS / 23.3 Kg

**MODEL 1208-7935**

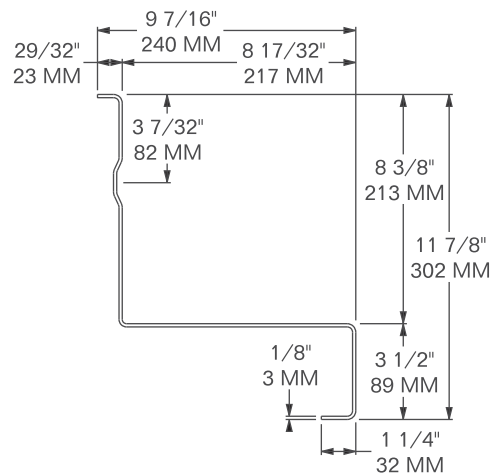
**BOTTOM RAIL, MAIN**



**FITS:** CIMC, SINGAMAS, J.B. HUNT 53'  
**LENGTH:** 19' 3/8" / 5,920 MM  
**MATERIAL:** CORTEN STEEL  
**FINISH:** PRIMER  
**WEIGHT:** 148.20 LBS / 67.22 Kg

**MODEL 1208-8135**

**BOTTOM RAIL, END SECTION FRONT**

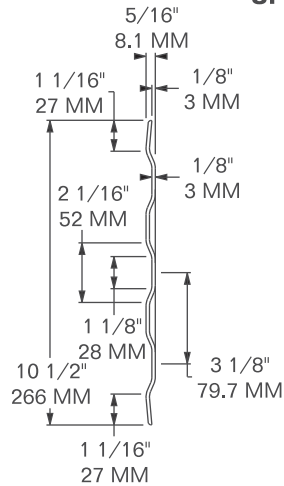


**FITS:** J.B. HUNT 53' **LENGTH:** 70 15/16" / 1,802  
**MATERIAL:** CORTEN STEEL  
**FINISH:** PRIMER  
**WEIGHT:** 52.0 LBS / 23.6 Kg

# STEEL SIDE RAILS BOTTOM RAILS

## MODEL 1208-8519

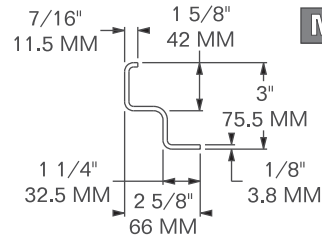
**BOTTOM RAIL  
UPPER - OUTER**



**FITS:** MCIQ 40' HC REEFER  
**WORKS WITH:** BUFFERS 1208-8522  
**LENGTH:** 18' 6" / 5,671 MM  
**MATERIAL:** CORTEN  
**FINISH:** PRIMER  
**WEIGHT:** 73.0 LBS / 33.1 Kg

## MODEL 1208-8522

**BOTTOM RAIL  
LOWER - INNER**



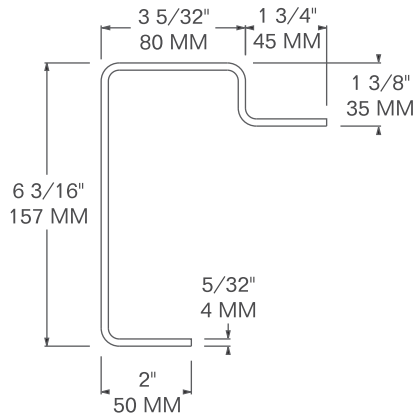
**FITS:** MCIQ 40' HC REEFER  
**WORKS WITH:** BUFFERS 1208-8519  
**LENGTH:** 18' 8 5/8" / 5,706 MM  
**MATERIAL:** CORTEN  
**FINISH:** PRIMER  
**WEIGHT:** 50.0 LBS / 22.68 Kg

# FRONT RAILS & REAR SILLS

## FRONT BOTTOM RAILS & REAR DOOR SILLS

### MODEL 1209-2115

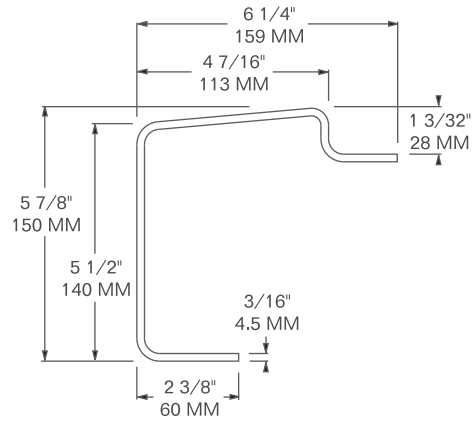
#### FRONT BOTTOM RAIL



**FITS:** 20', 40', 45' x 96" ISO  
**LENGTH:** 83  $\frac{3}{16}''$  / 2,113 MM  
**MATERIAL:** CORTEN  
**FINISH:** PRIMER  
**WEIGHT:** 48.0 LBS / 21.7 Kg

### MODEL 1209-2140

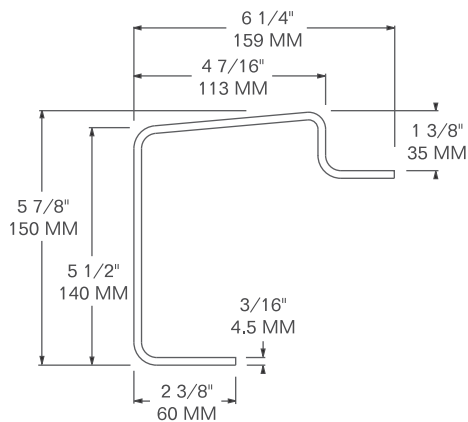
#### REAR DOOR SILL



**FITS:** 20', 40', 45' x 96" ISO  
**LENGTH:** 94  $\frac{1}{2}''$  / 2,400 MM  
**MATERIAL:** CORTEN  
**FINISH:** PRIMER  
**WEIGHT:** 60.0 LBS / 27.2 Kg

### MODEL 1209-2273

#### REAR DOOR SILL

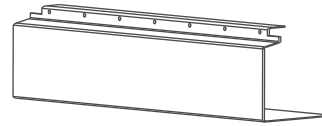


**FITS:** 20', 40', 45' x 96" ISO  
**LENGTH:** 92" / 2,337 MM  
**MATERIAL:** CORTEN  
**FINISH:** PRIMER  
**WEIGHT:** 64.75 LBS / 29.37 Kg

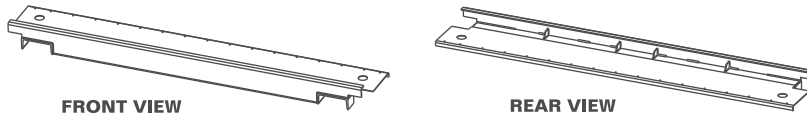
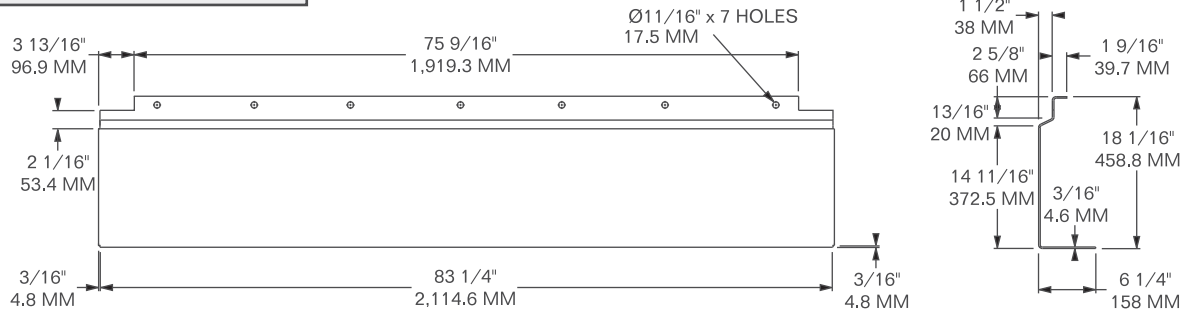
# FRONT RAILS & REAR SILLS

## FRONT BOTTOM RAILS & REAR DOOR SILLS

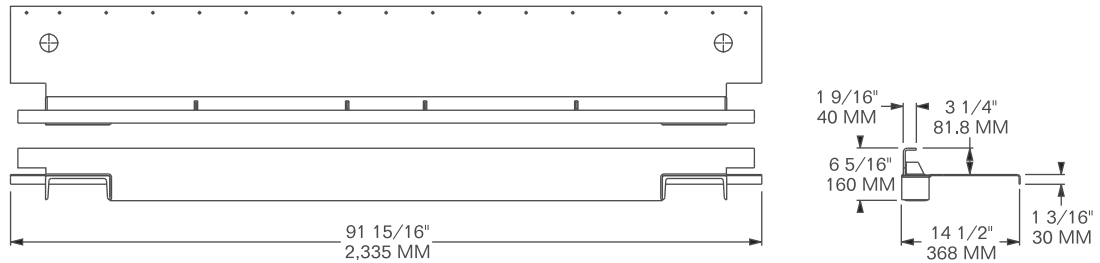
**SUB FOR:** MCIQ 7133302  
**FITS:** MAERSK 40' REEFER  
**LENGTH:** 85 5/8" / 2,123 MM  
**MATERIAL:** CORTEN  
**FINISH:** PRIMER  
**WEIGHT:** 107.2 LBS / 48.6 Kg



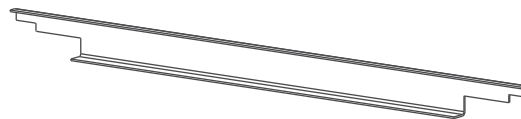
**MODEL 1209-6443**  
**FRONT BOTTOM RAIL**



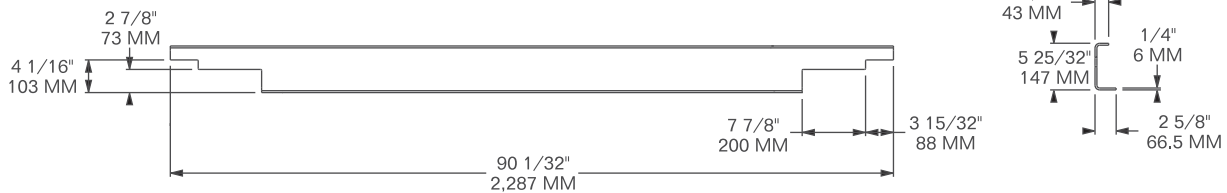
**MODEL 1209-6460**  
**REAR DOOR SILL**



**SUB FOR:** MCIQ 40' REEFER MODEL MQR5-40HS-251B **LENGTH:** 91 15/16" / 2,335 MM  
**MATERIAL:** CORTEN **FINISH:** PRIMER **WEIGHT:** 119.00 LBS / 53.98 Kg



**MODEL 1209-6806**  
**REAR DOOR SILL**



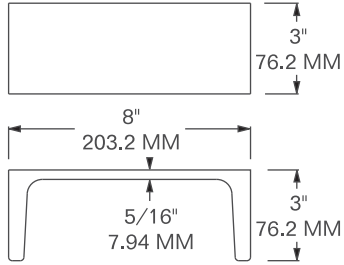
**FITS:** CIMC 40' x 96" REEFER **LENGTH:** 90 1/32" / 2,287 MM  
**MATERIAL:** CORTEN **FINISH:** PRIMER **WEIGHT:** 46.1 LBS / 20.9 Kg



# C-CHANNEL INSERTS FOR FRONT RAILS & REAR SILLS

**MODEL 1209-2060**

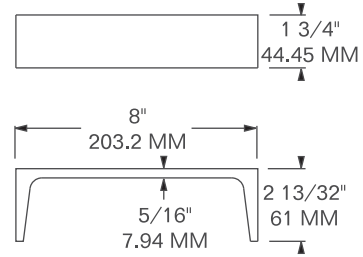
**C-CHANNEL INSERT**



**SUB FOR:** PENZ 70-26  
**MATERIAL:** STEEL  
**FINISH:** PRIMER  
**WEIGHT:** 4.6 LBS / 2.09 Kg

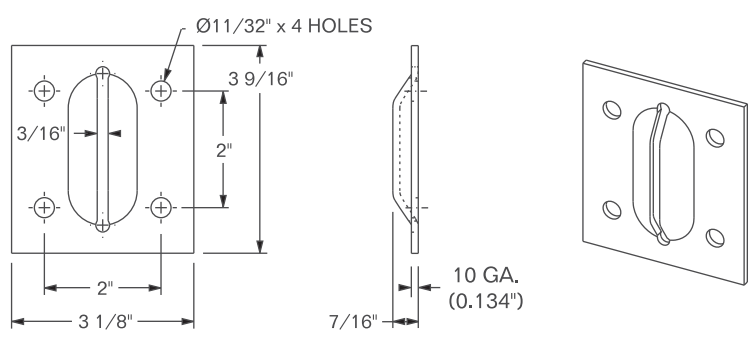
**MODEL 1209-2973**

**C-CHANNEL INSERT**



**MATERIAL:** STEEL  
**FINISH:** PRIMER  
**WEIGHT:** 1.95 LBS / 0.88 Kg

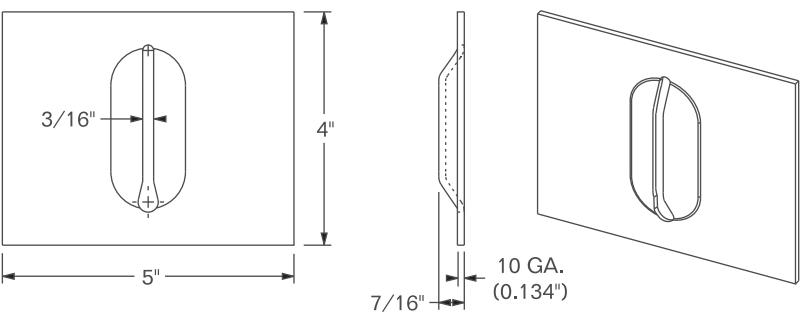
# CROSSMEMBER CLIPS



Ø11/32" x 4 HOLES  
3 9/16"  
2"  
3/16"  
2"  
3 1/8"  
7/16"  
10 GA.  
(0.134")

**MODEL 1210-1635**

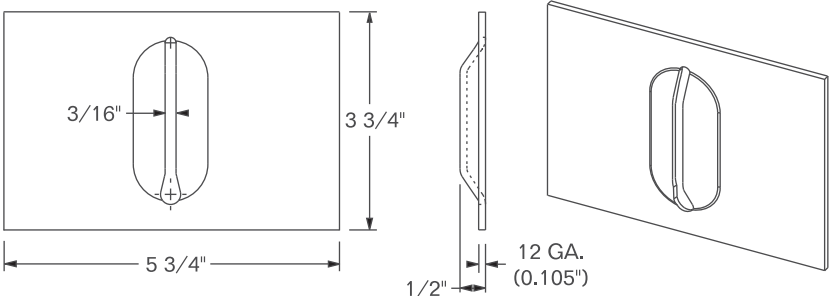
**SUB FOR:** PENZ 70-04  
**MATERIAL:** FAB STEEL  
**FINISH:** PRIMER  
**WEIGHT:** 0.4 LBS / 0.18 Kg



3/16"  
4"  
5"  
7/16"  
10 GA.  
(0.134")

**MODEL 1210-2002**

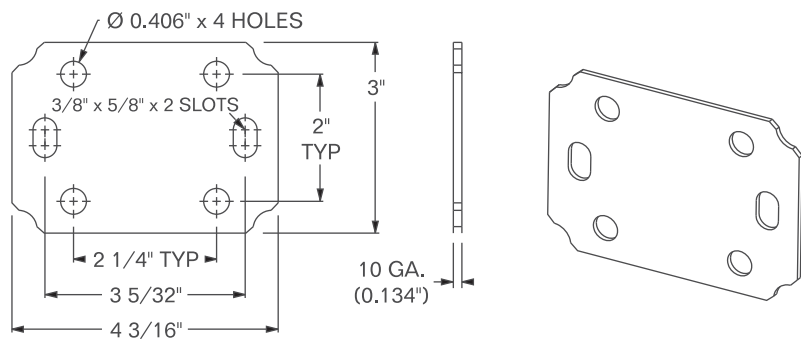
**SUB FOR:**  
PENZ 70-14 SPECIAL  
**MATERIAL:** FAB STEEL  
**FINISH:** PRIMER  
**WEIGHT:** 0.74 LBS / 0.34 Kg



3/16"  
3 3/4"  
5 3/4"  
1/2"  
12 GA.  
(0.105")

**MODEL 1210-2816**

**SUB FOR:** PENZ 70-10  
**MATERIAL:** FAB STEEL  
**FINISH:** PRIMER  
**WEIGHT:** 0.62 LBS / 0.28 Kg



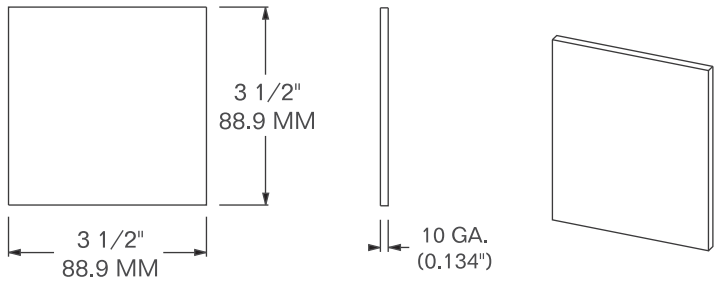
Ø 0.406" x 4 HOLES  
3/8" x 5/8" x 2 SLOTS  
2" TYP  
2 1/4" TYP  
3 5/32"  
4 3/16"  
10 GA.  
(0.134")

**MODEL 1210-2932**

**SUB FOR:** PENZ 70-13 &  
FRUEHAUF FCE 2576-2  
**MATERIAL:** 10 GA. FAB STEEL  
**FINISH:** PRIMER  
**WEIGHT:** 0.42 LBS / 0.19 Kg

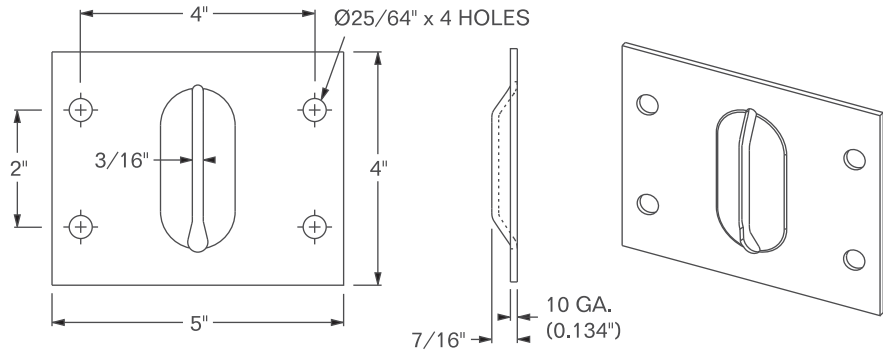
# CROSSMEMBER CLIPS

**MODEL 1210-6344**



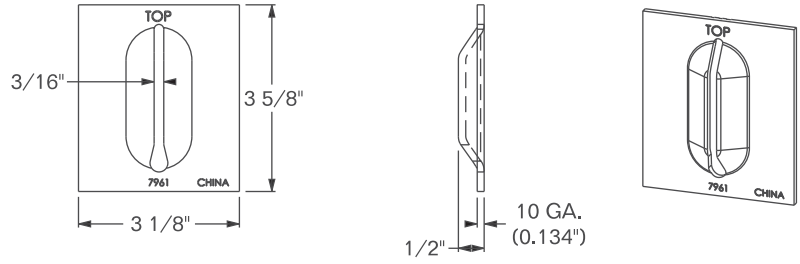
**SUB FOR:** GD 08570  
**MATERIAL:** FAB STEEL  
**FINISH:** PRIMER  
**WEIGHT:** 0.48 LBS / 0.22 Kg

**MODEL 1210-6464**



**SUB FOR:** PENZ 70-14  
**MATERIAL:** FAB STEEL  
**FINISH:** PRIMER  
**WEIGHT:** 0.7 LBS / 0.32 Kg

**MODEL 1210-7961**

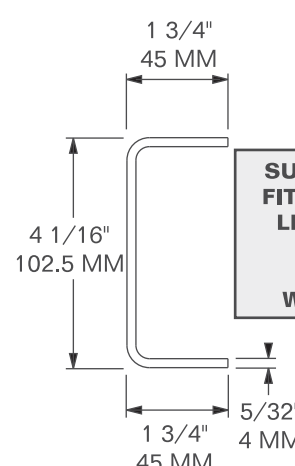


**SUB FOR:** PENZ 70-12  
**MATERIAL:** FAB STEEL  
**FINISH:** PRIMER  
**WEIGHT:** 0.43 LBS / 0.19 Kg



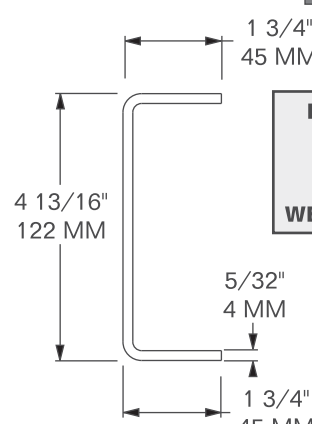
# STEEL CROSSMEMBERS

**MODEL 1210-2361**



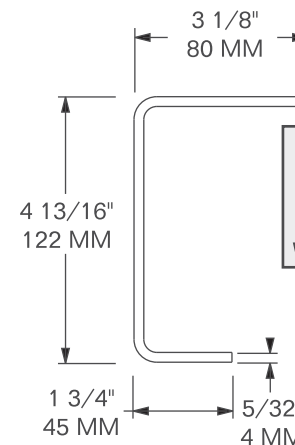
**SUB FOR:** JINDO AB0201-1136  
**FITS:** JINDO 48', 53' x 102' WIDE  
**LENGTH:** 95 1/2" / 2,428 MM  
**MATERIAL:** CORTEN  
**FINISH:** PRIMER  
**WEIGHT:** 29.6 LBS / 13.4 Kg

**MODEL 1210-2461**



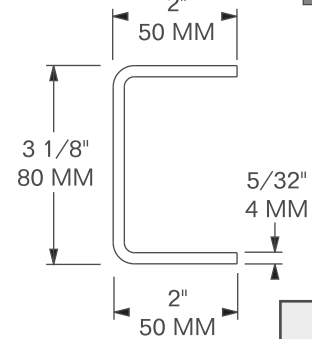
**FITS:** 96" ISO CONTAINER  
**LENGTH:** 92" / 2,337 MM  
**MATERIAL:** CORTEN  
**FINISH:** PRIMER  
**WEIGHT:** 31.30 LBS / 14.20 Kg

**MODEL 1210-2465**



**FITS:** 96" ISO CONTAINER  
**LENGTH:** 92" / 2,337 MM  
**MATERIAL:** CORTEN  
**FINISH:** PRIMER  
**WEIGHT:** 36.00 LBS / 16.33 Kg

**MODEL 1210-2676**



**FITS:** 96" ISO CONTAINER  
**LENGTH:** 92" / 2,337 MM  
**MATERIAL:** CORTEN  
**FINISH:** PRIMER  
**WEIGHT:** 26.8 LBS / 12.2 Kg

**MODEL 1210-2843**

**LENGTH:** 102" / 2,591 MM  
**WEIGHT:** 27.2 LBS / 12.34 Kg

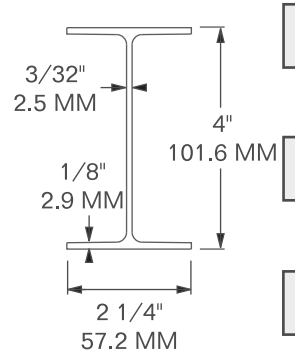
**MODEL 1210-2844**

**LENGTH:** 101.5" / 2,578 MM  
**WEIGHT:** 27.1 LBS / 12.29 Kg

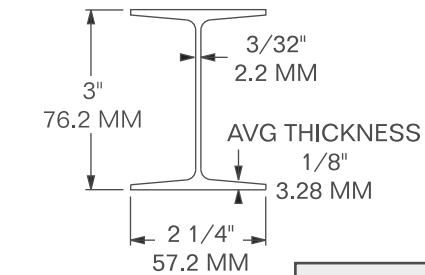
**MODEL 1210-2845**

**LENGTH:** 96 1/2" / 2,451 MM  
**WEIGHT:** 25.7 LBS / 11.66 Kg

**MATERIAL:** HRS **FINISH:** SELF-COLOR

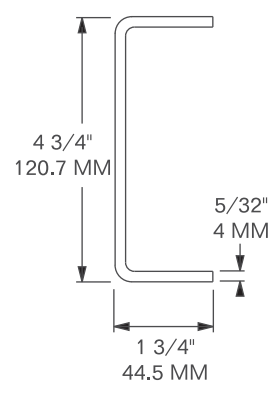


**MODEL 1210-2846**



**LENGTH:** 102" / 2,591 MM  
**MATERIAL:** HRS  
**FINISH:** SELF-COLOR  
**WEIGHT:** 24.5 LBS / 11.1 Kg

# STEEL CROSSMEMBERS



**MODEL 1210-6106**  
**LENGTH:** 81" / 2,057 MM  
**WEIGHT:** 25.4 LBS / 11.54 Kg

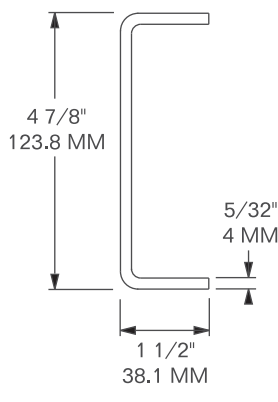
**MODEL 1210-6107**  
**LENGTH:** 83 3/4" / 2,127 MM  
**WEIGHT:** 26.3 LBS / 11.9 Kg

**MODEL 1210-6108**  
**LENGTH:** 84 1/2" / 2,146 MM  
**WEIGHT:** 26.5 LBS / 12.0 Kg

**MODEL 1210-6109**  
**LENGTH:** 90 1/2" / 2,298 MM  
**WEIGHT:** 28.4 LBS / 12.9 Kg

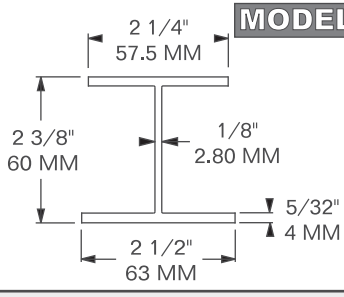
**MODEL 1210-6110**  
**LENGTH:** 91 3/4" / 2,330 MM  
**WEIGHT:** 28.8 LBS / 13.1 Kg

**MATERIAL:** CORTEN  
**FINISH:** SELF-COLOR



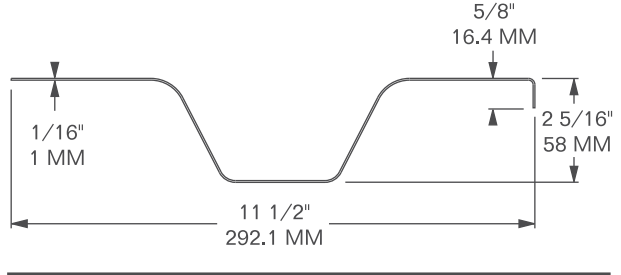
**MODEL 1210-6111**

**LENGTH:** 100 3/4" / 2,559 MM  
**MATERIAL:** CORTEN  
**FINISH:** SELF-COLOR  
**WEIGHT:** 24.8 LBS / 11.23 Kg



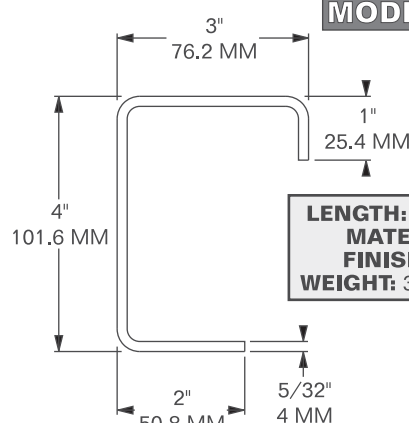
**MODEL 1210-6209**  
**MODEL 1210-6209-W**

**FITS:** JINDO 53' CONTAINER  
**LENGTH:** 96 1/8" / 2,439 MM  
**MATERIAL:** HRS  
**FINISH:** SELF-COLOR  
**WEIGHT:** 25.6 LBS / 11.6 Kg



**MODEL 1210-7022**

**FITS:** 40' x 96" REEFERS  
**LENGTH:** 92 1/4" / 2,343.1 MM  
**MATERIAL:** FAB STAINLESS STEEL  
**FINISH:** SELF-COLOR  
**WEIGHT:** 14.85 LBS / 6.74 Kg

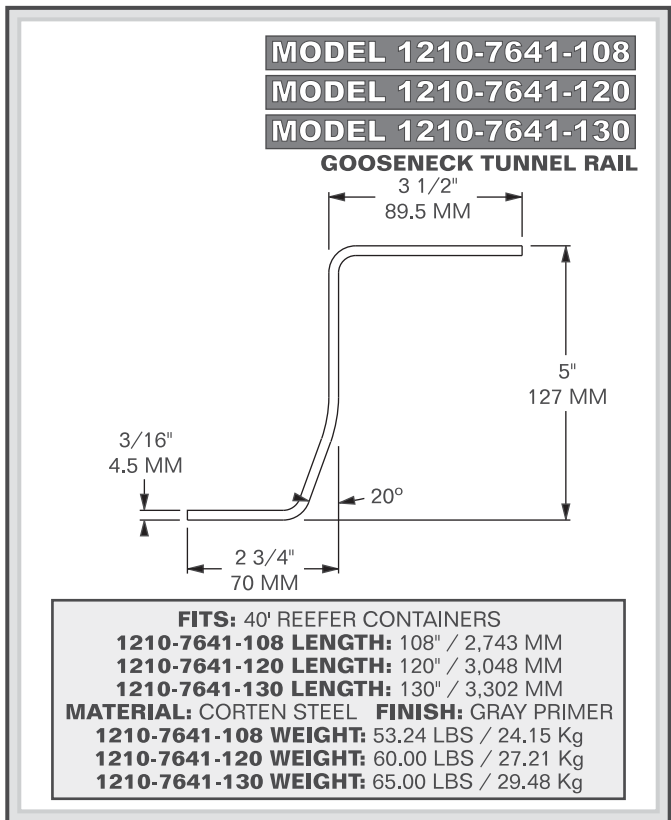
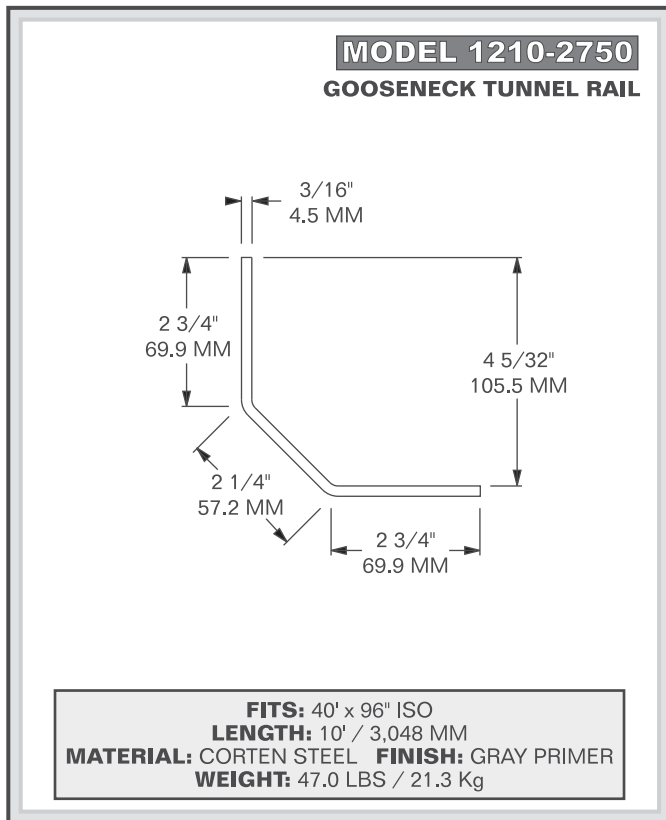
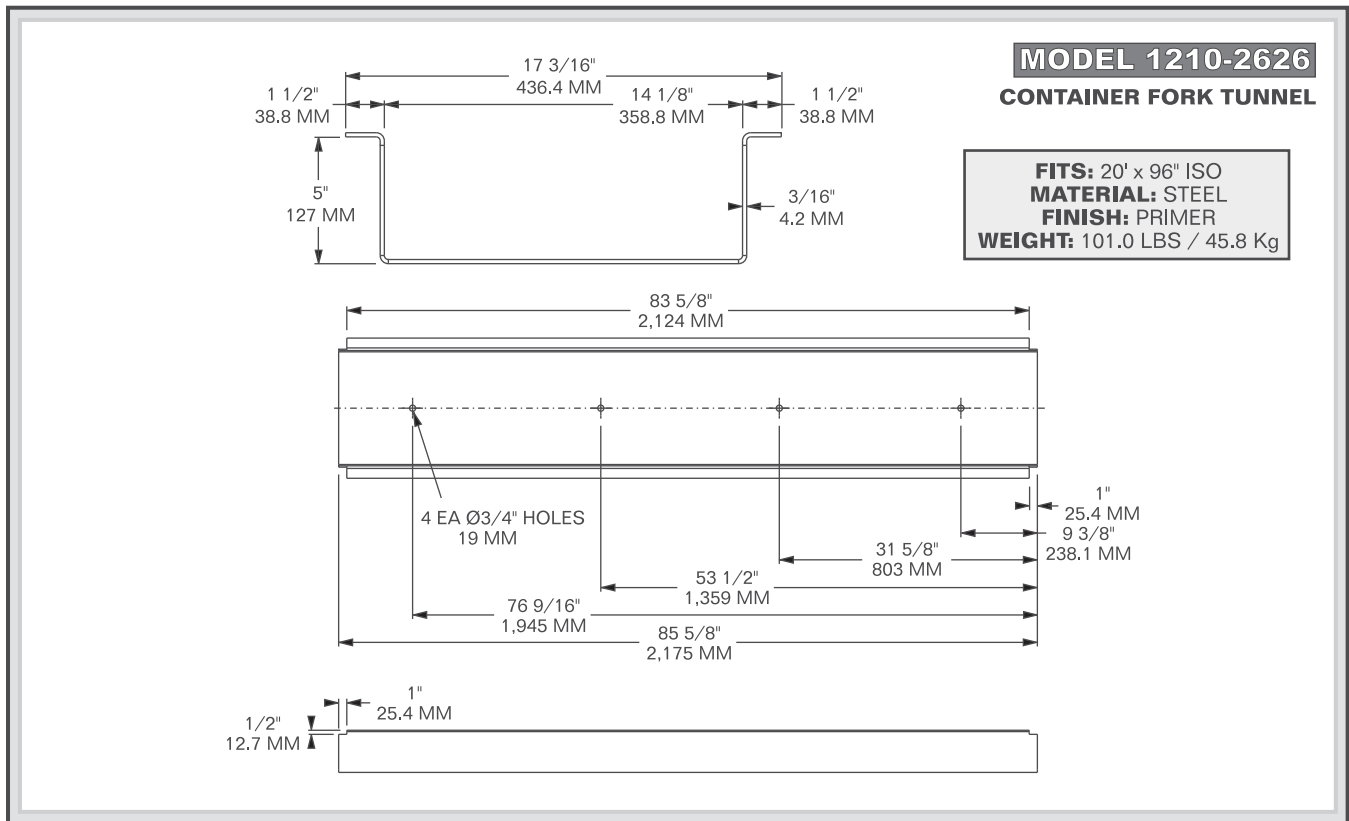


**MODEL 1210-7546**

**LENGTH:** 98 1/2" / 2,502 MM  
**MATERIAL:** CORTEN  
**FINISH:** SELF-COLOR  
**WEIGHT:** 38.91 LBS / 17.65 Kg

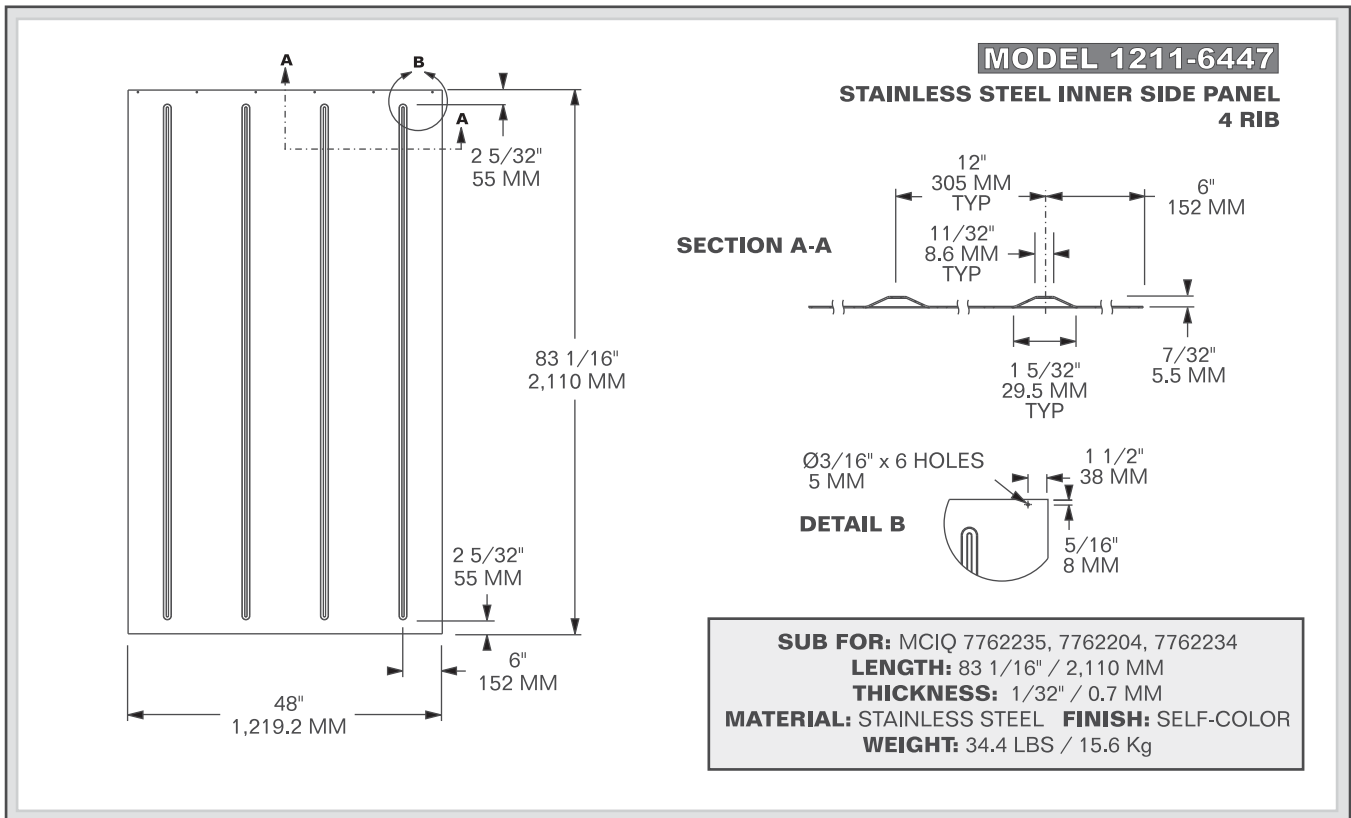


# TUNNEL & TUNNEL RAILS



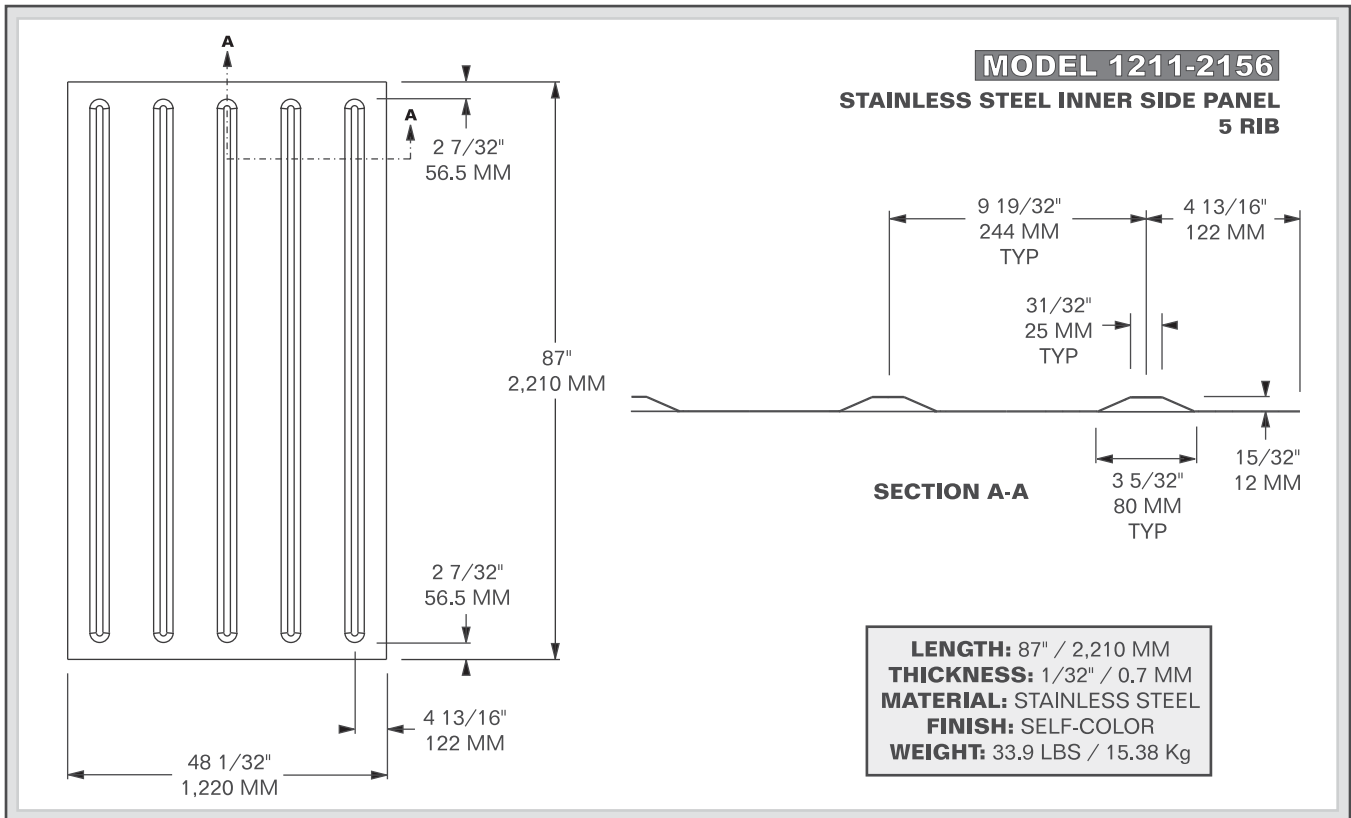
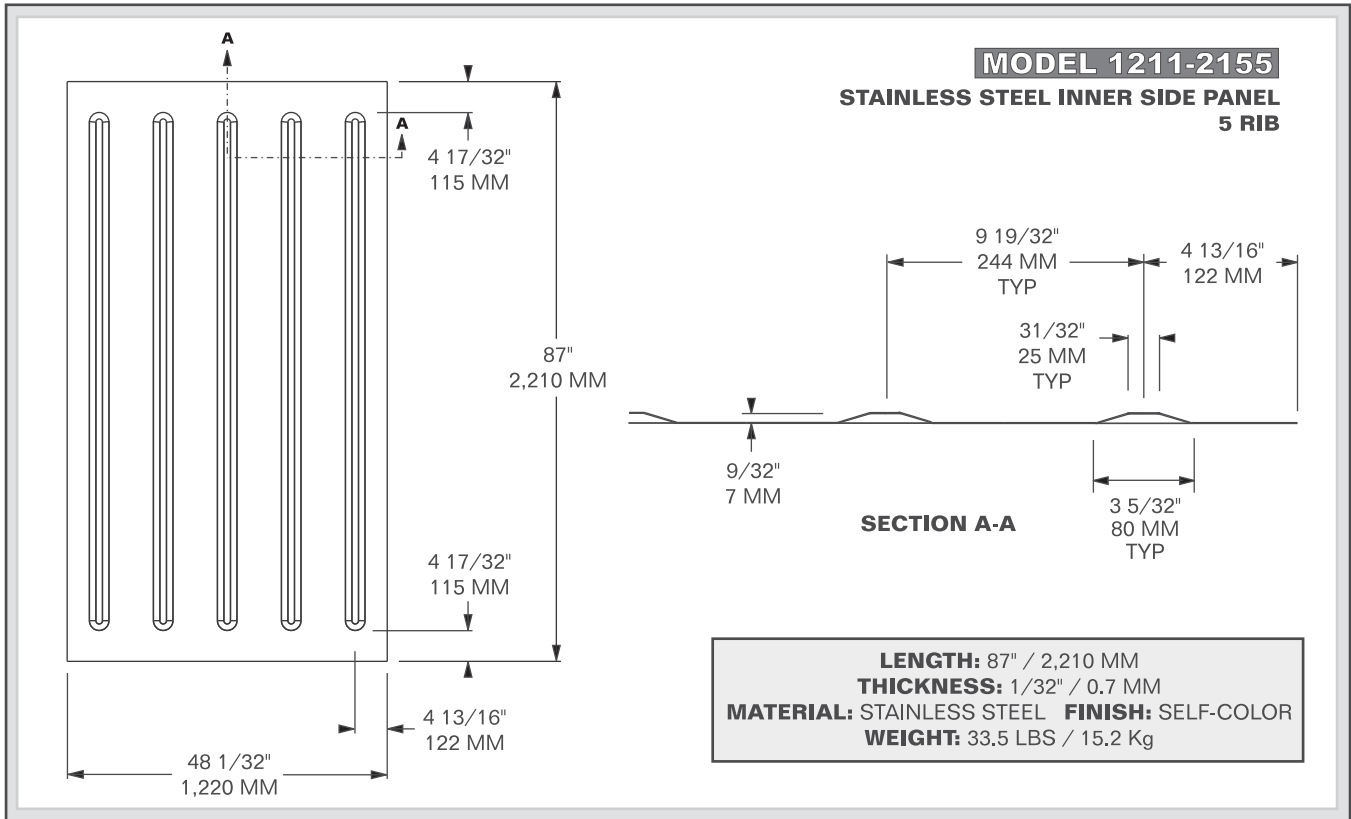
# CONTAINER SIDE PANELS

## STAINLESS STEEL (INNER) 4 RIB



# CONTAINER SIDE PANELS

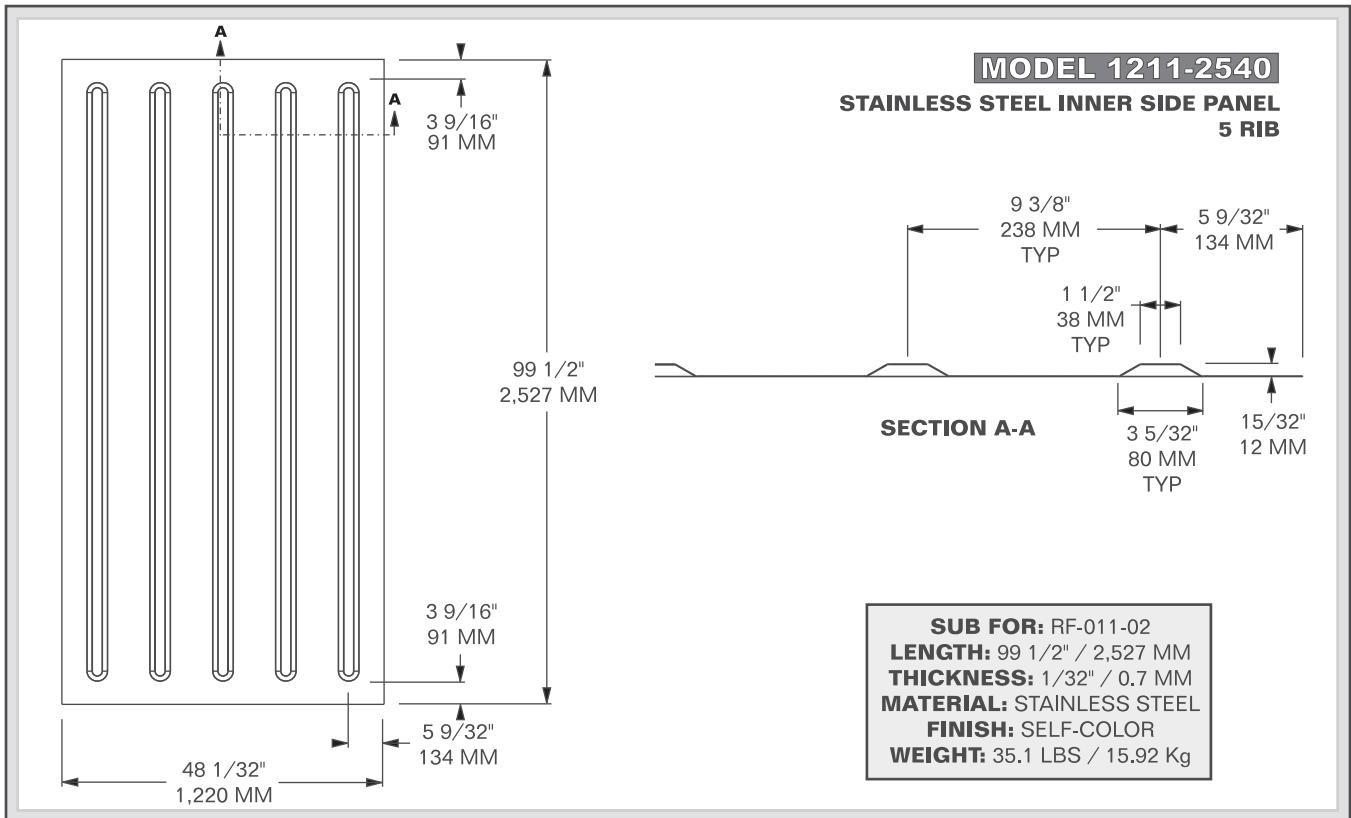
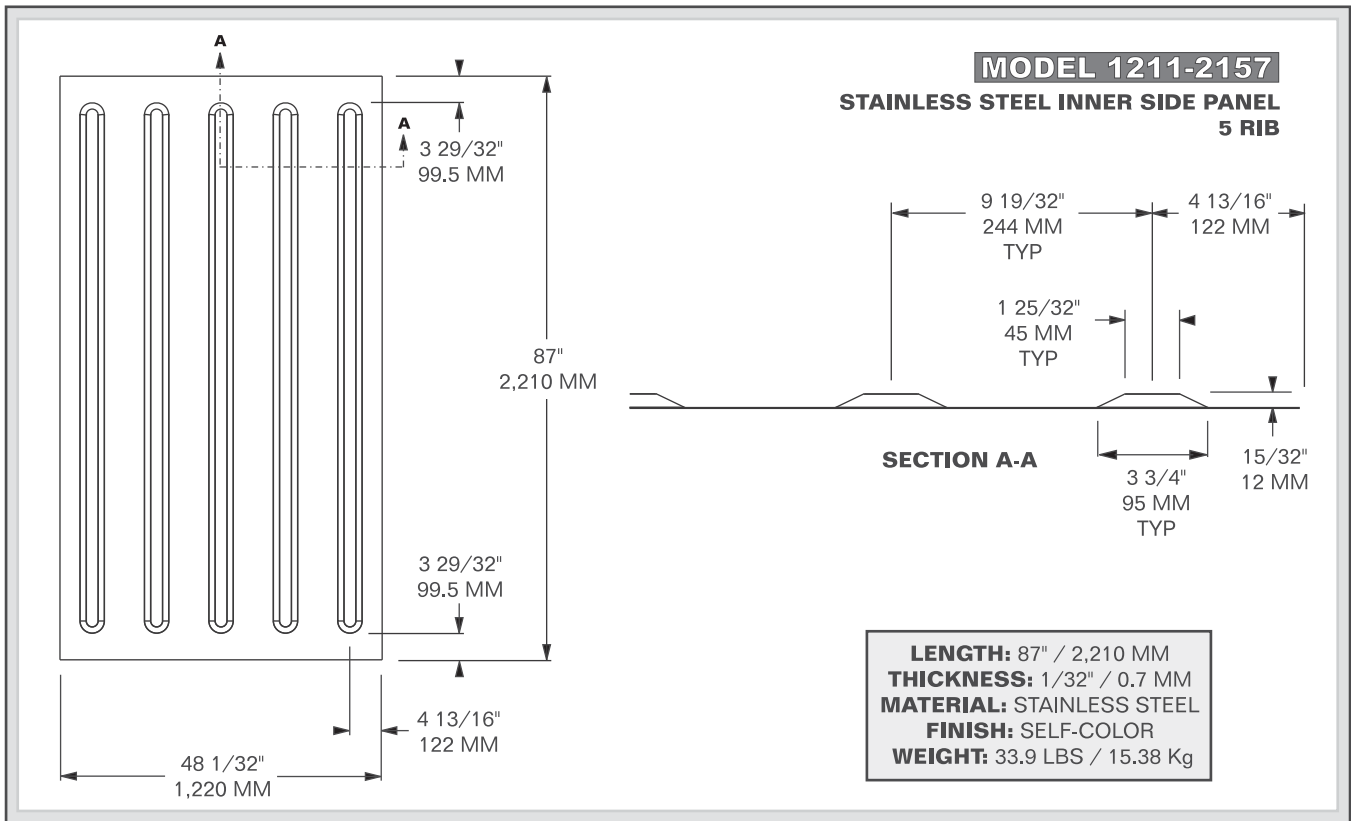
## STAINLESS STEEL (INNER) 5 RIB





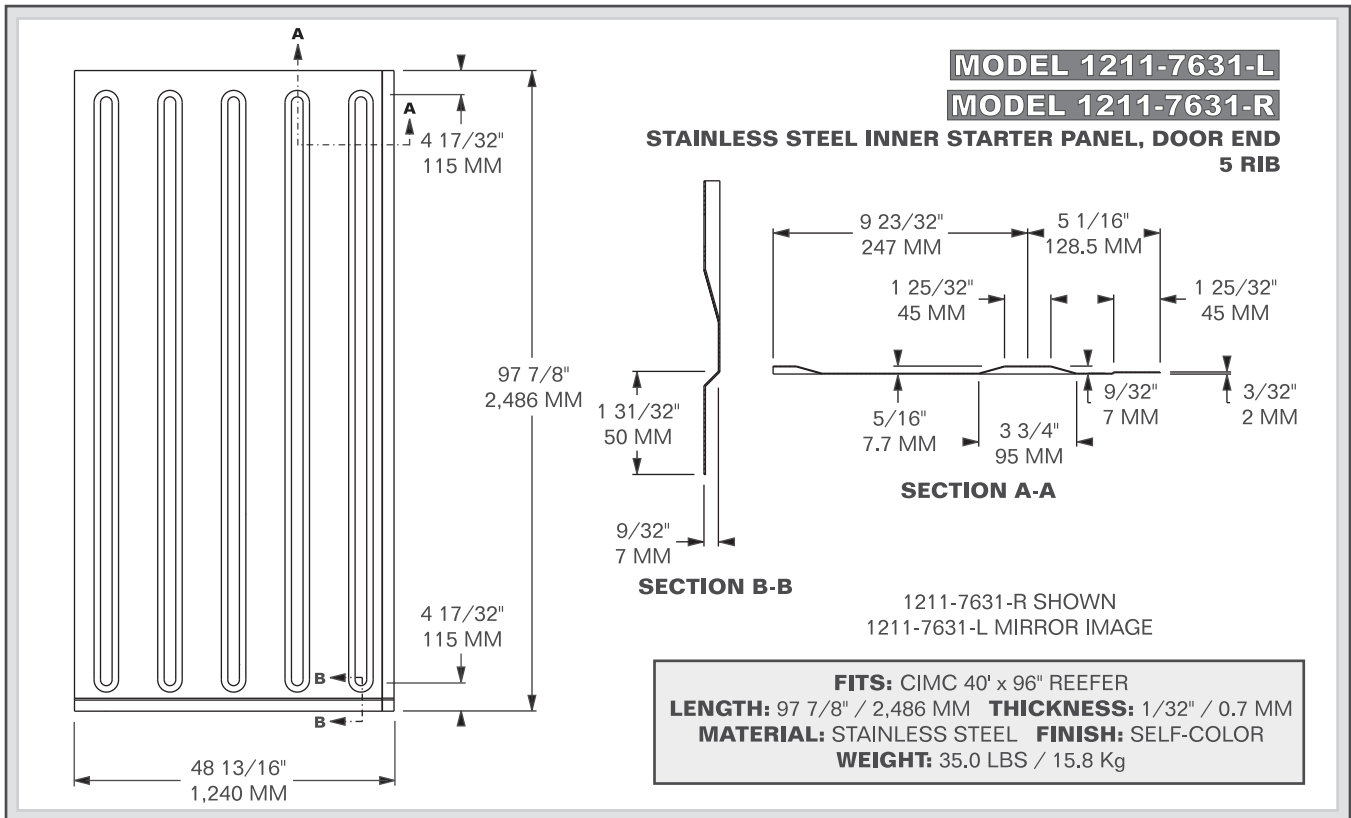
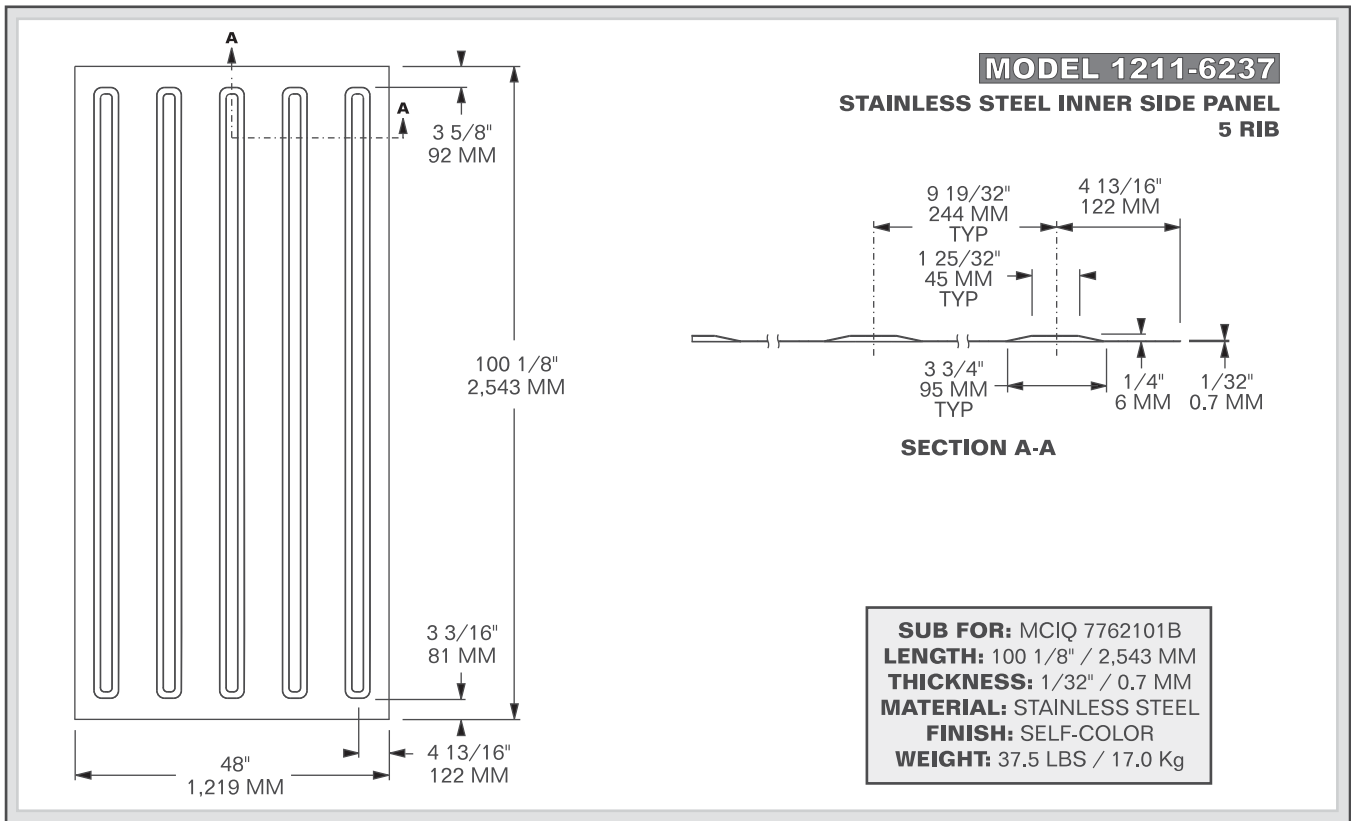
# CONTAINER SIDE PANELS

## STAINLESS STEEL (INNER) 5 RIB



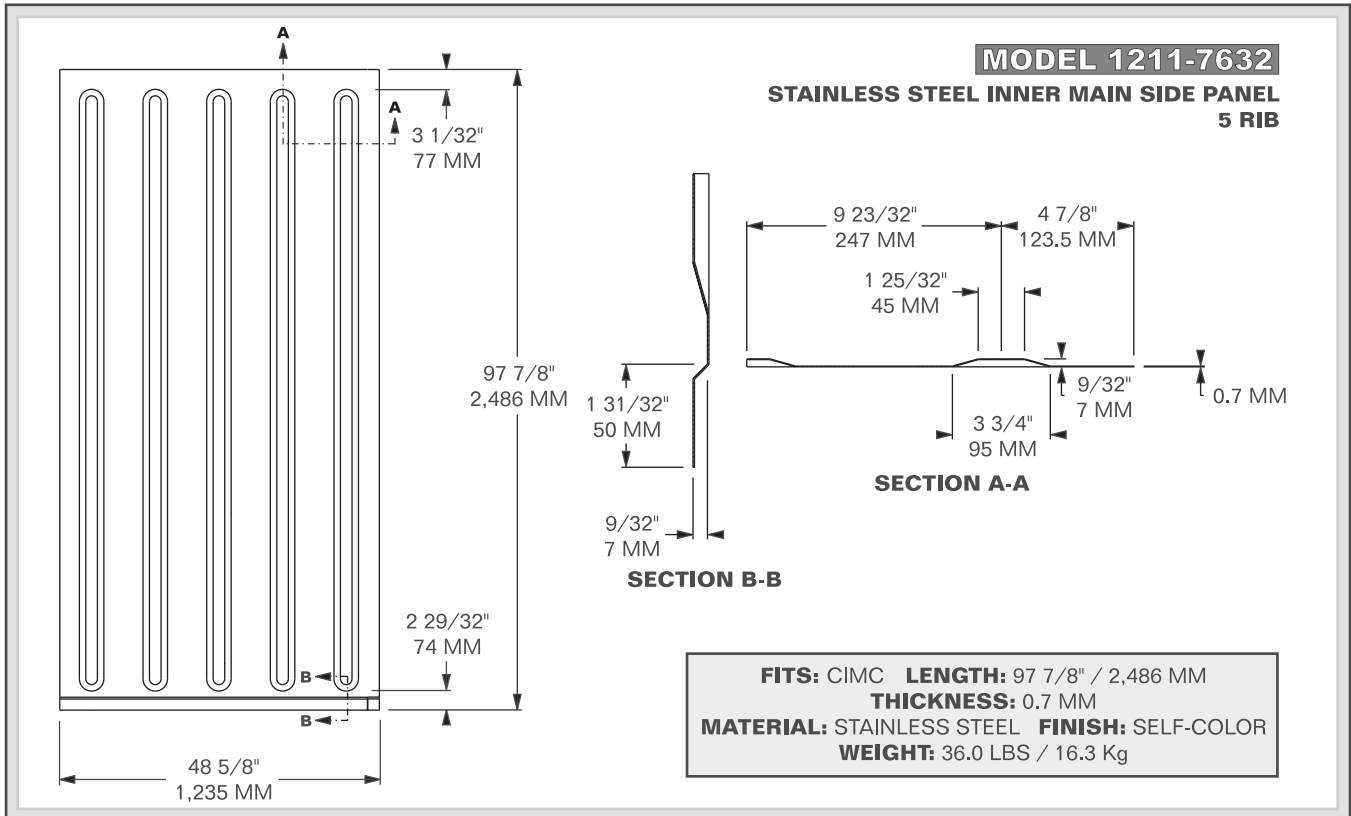
# CONTAINER SIDE PANELS

## STAINLESS STEEL (INNER) 5 RIB



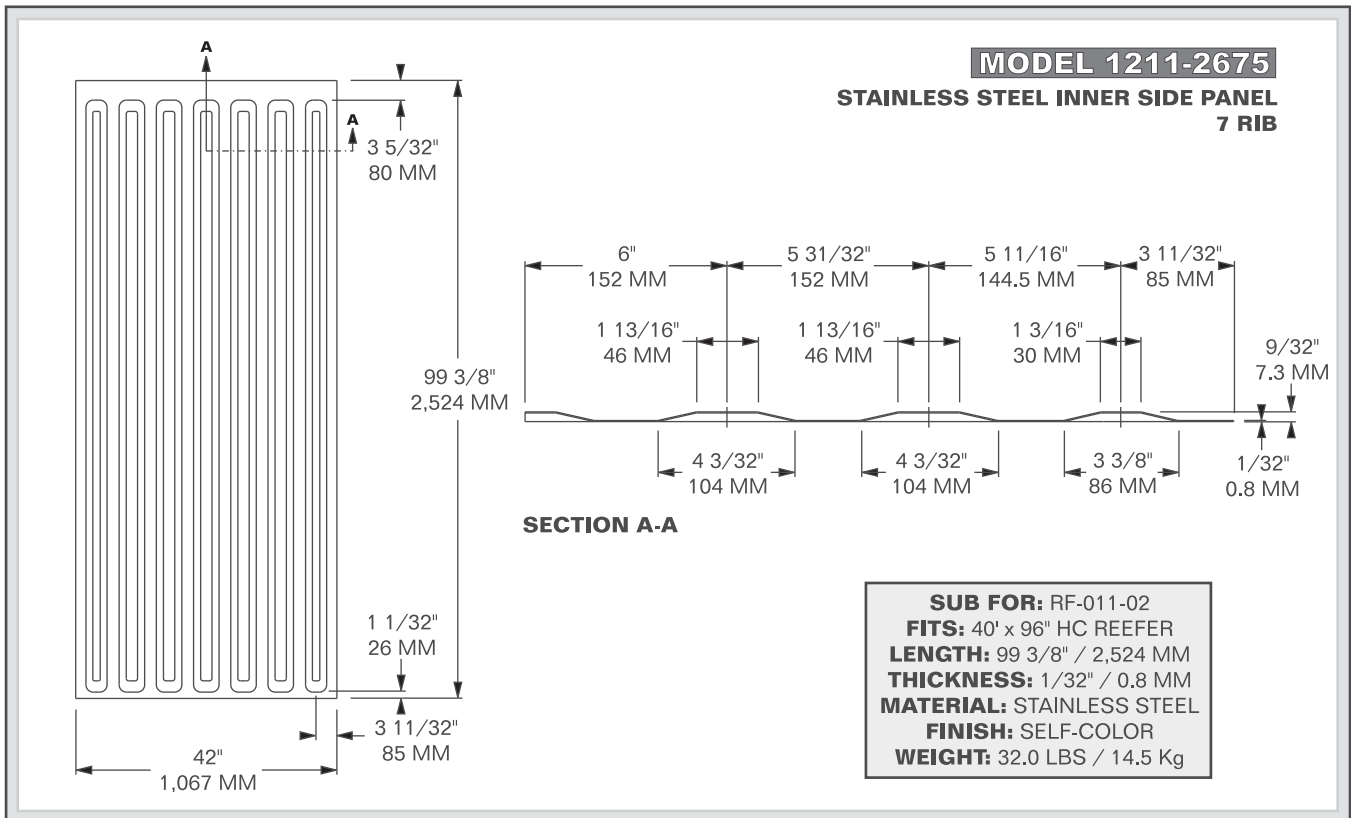
# CONTAINER SIDE PANELS

## STAINLESS STEEL (INNER) 5 RIB



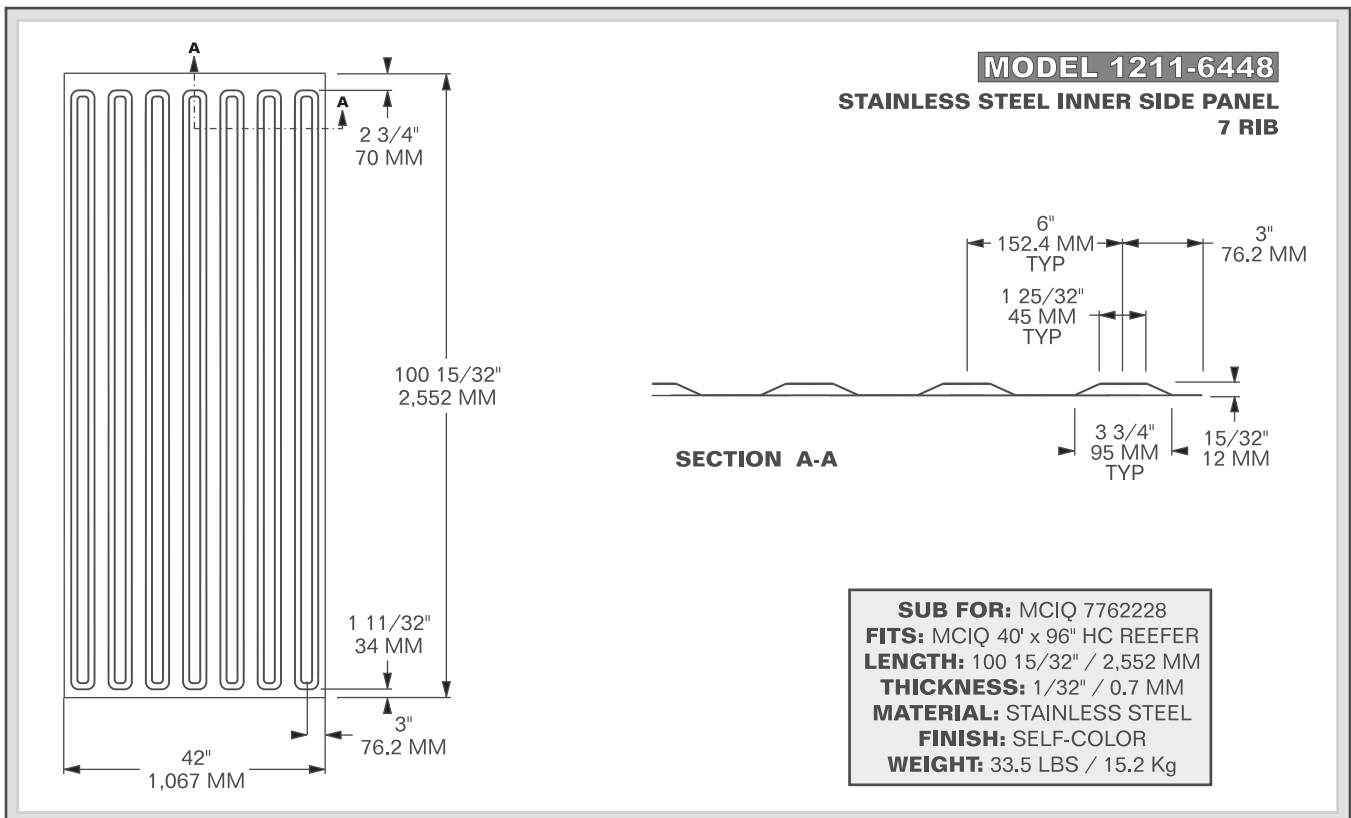
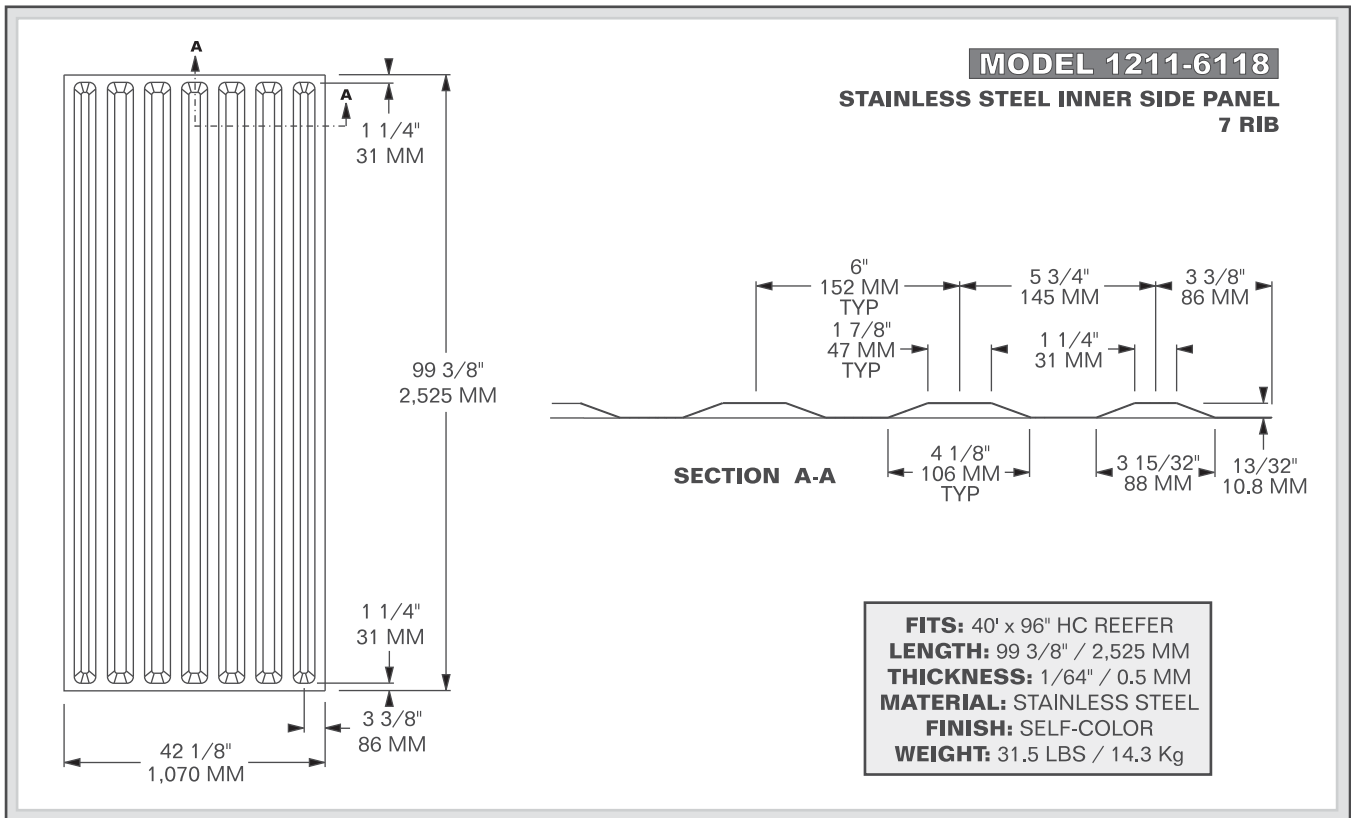
# CONTAINER SIDE PANELS

## STAINLESS STEEL (INNER) 7 RIB



# CONTAINER SIDE PANELS

## STAINLESS STEEL (INNER) 7 RIB

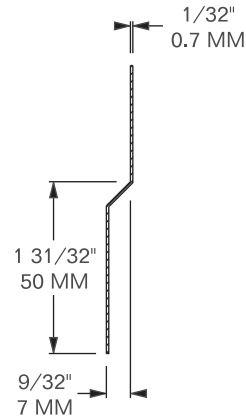
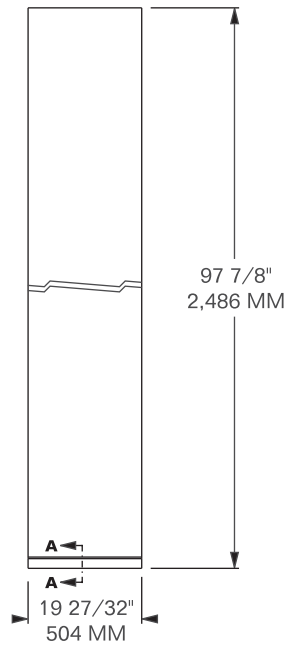


# CONTAINER SIDE PANELS

## STAINLESS STEEL (INNER) NON-RIBBED

**MODEL 1211-7633**

**STAINLESS STEEL INNER STARTER PANEL, FRONT  
NON-RIBBED**

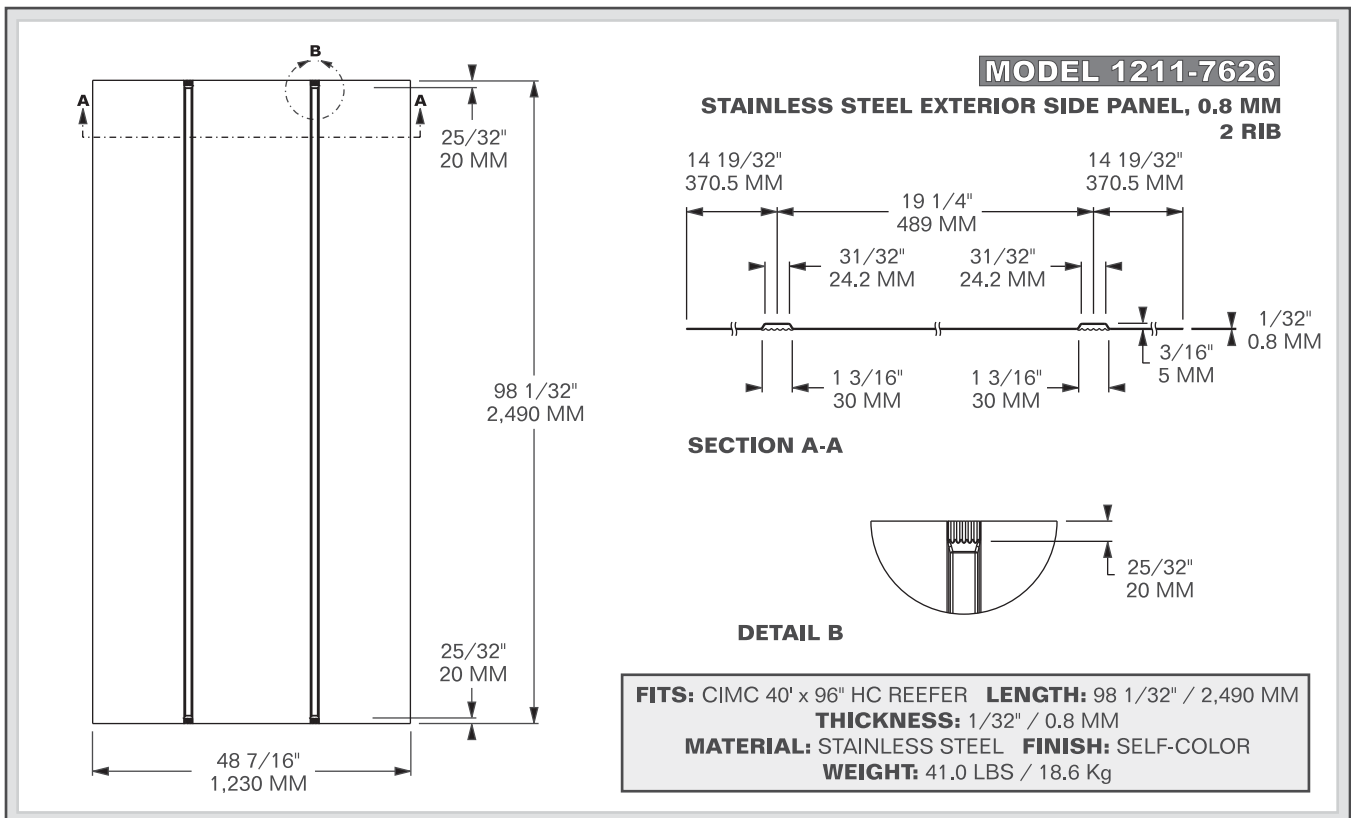
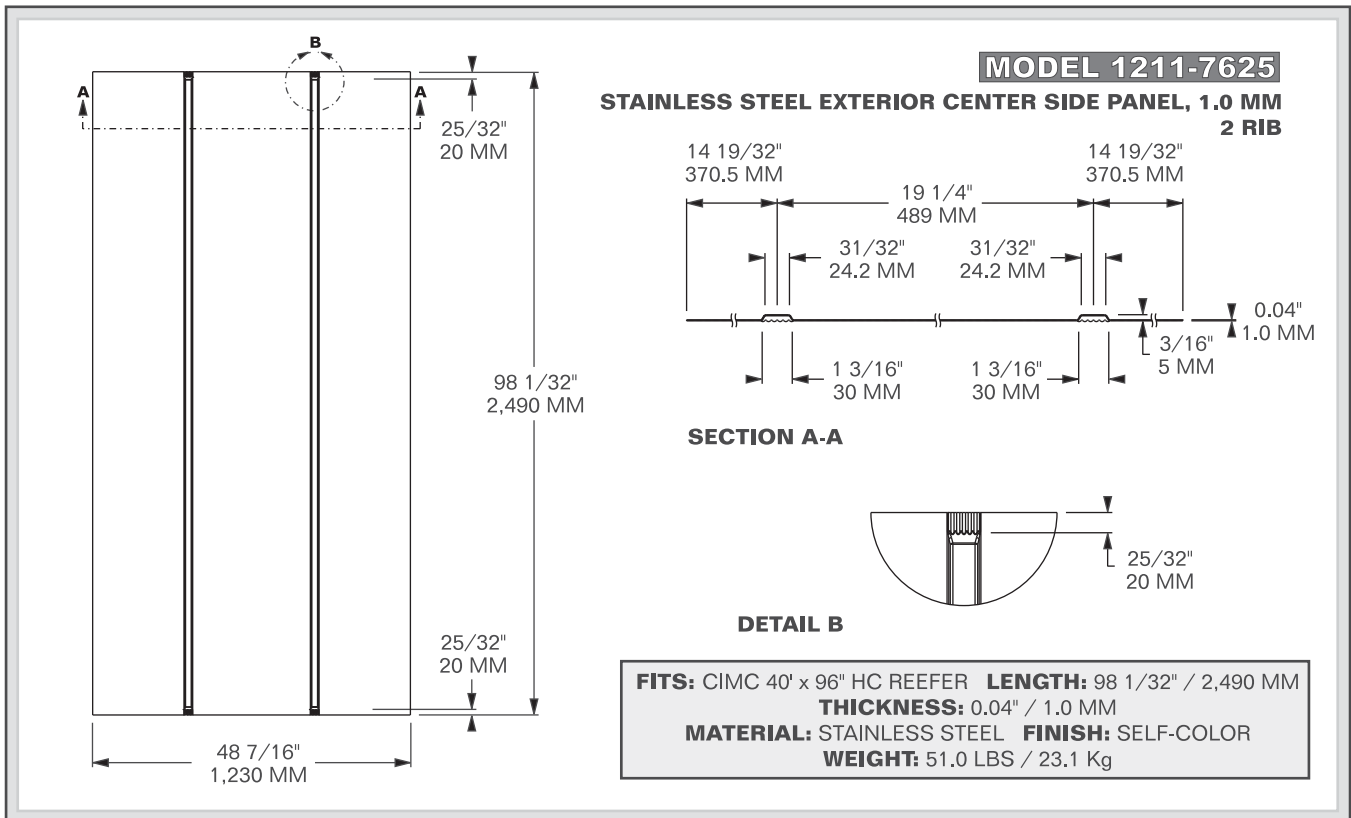


**SECTION A-A**

**FITS:** CIMC 40' x 96" HC REEFER  
**LENGTH:** 97 7/8" / 2,486 MM  
**THICKNESS:** 1/32" / 0.7 MM  
**MATERIAL:** STAINLESS STEEL  
**FINISH:** SELF-COLOR  
**WEIGHT:** 14.0 LBS / 6.3 Kg

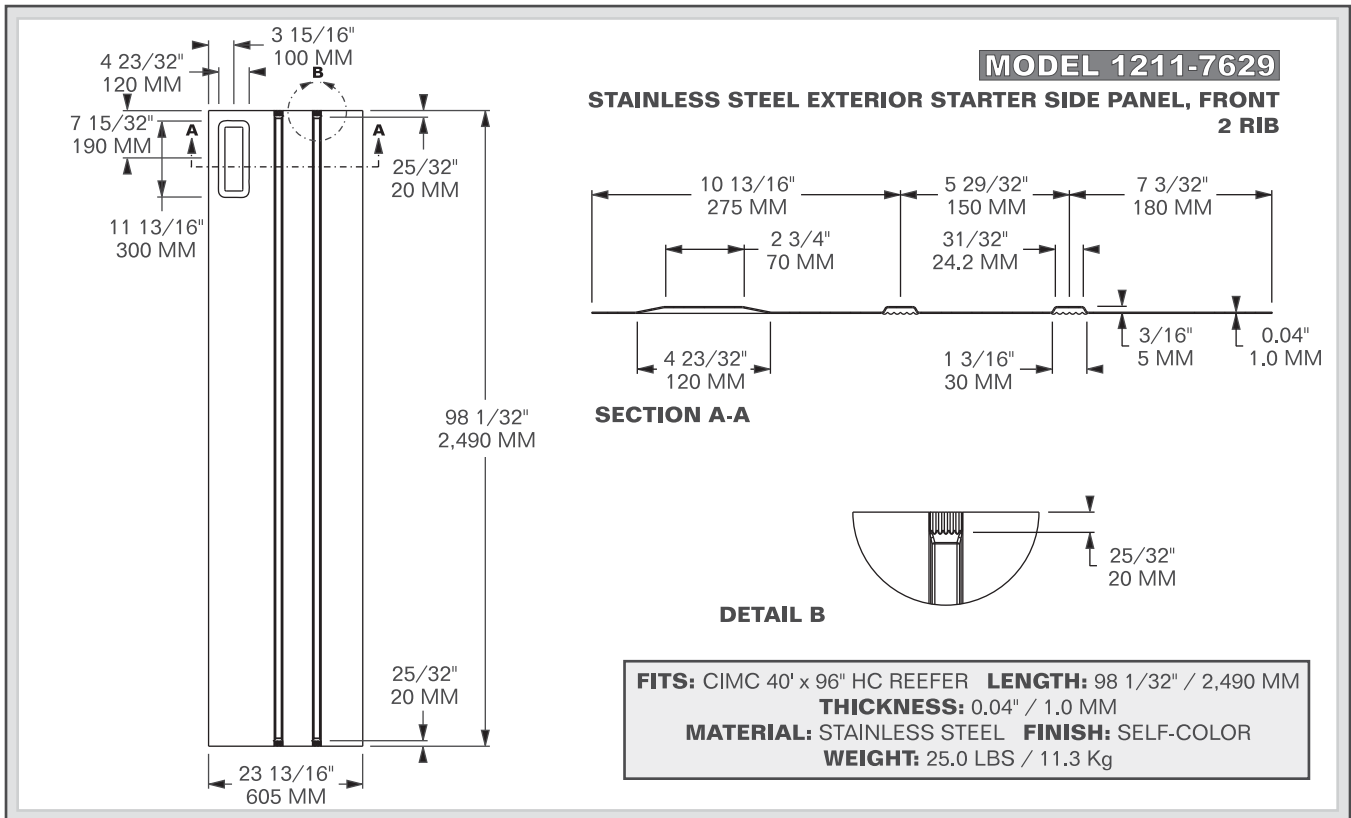
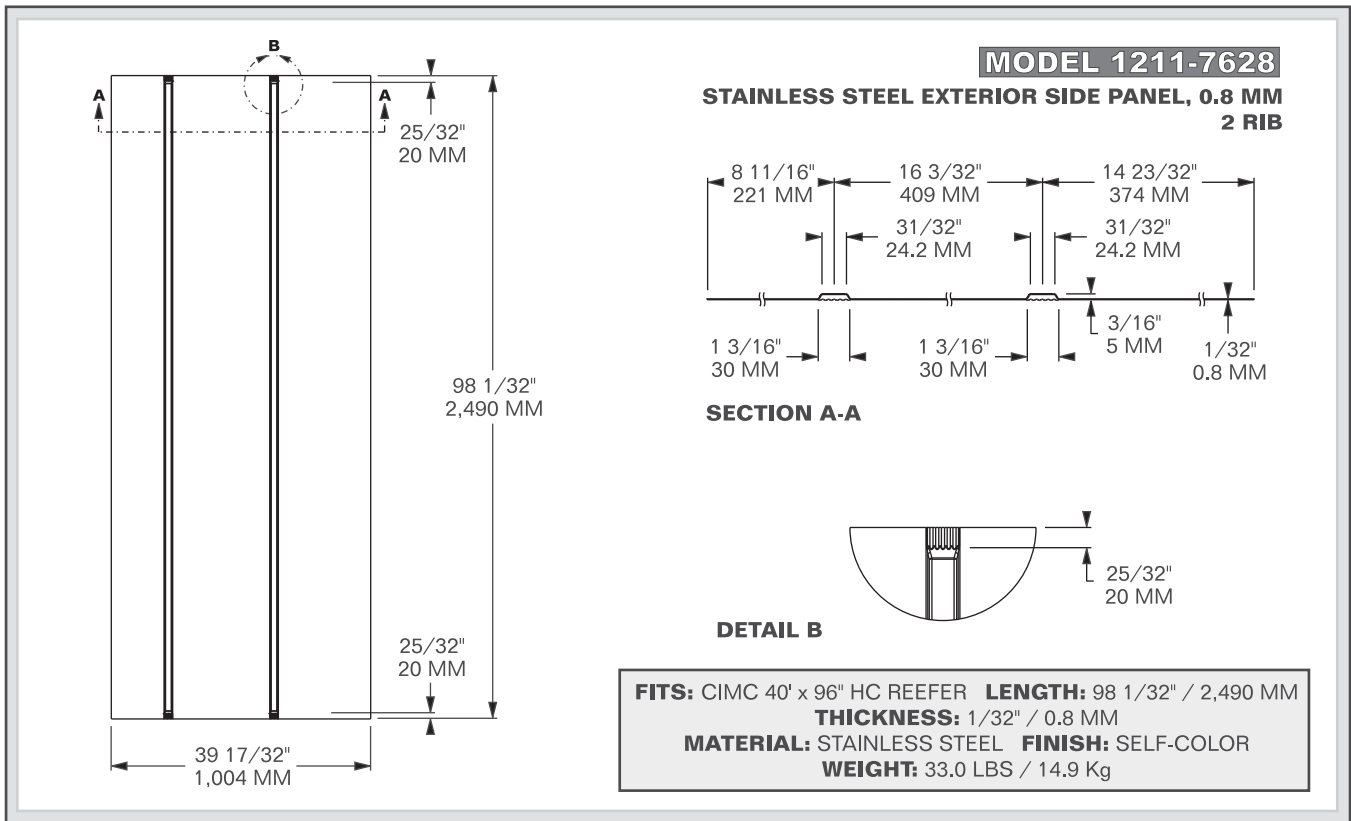
# CONTAINER SIDE PANELS

## STAINLESS STEEL (EXTERIOR) 2 RIB



# CONTAINER SIDE PANELS

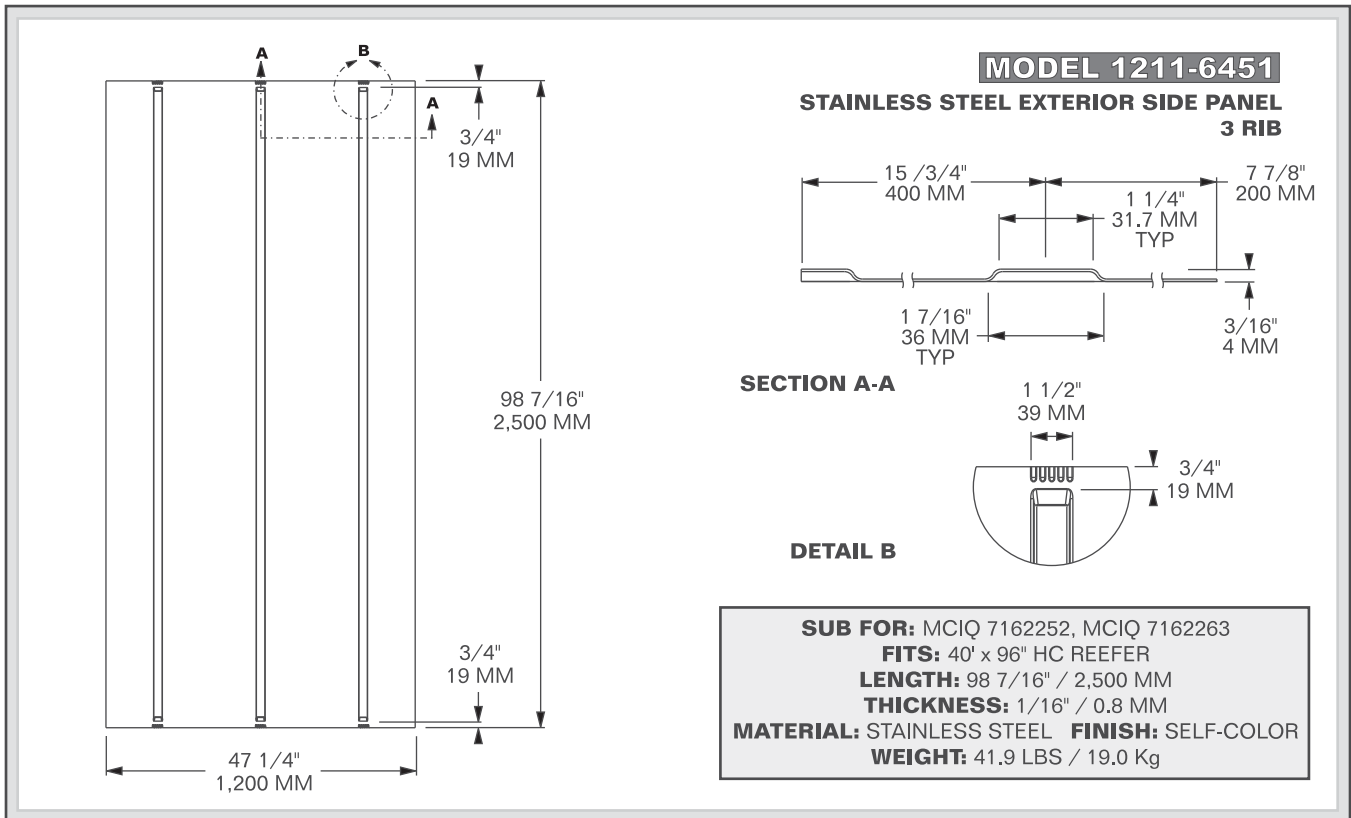
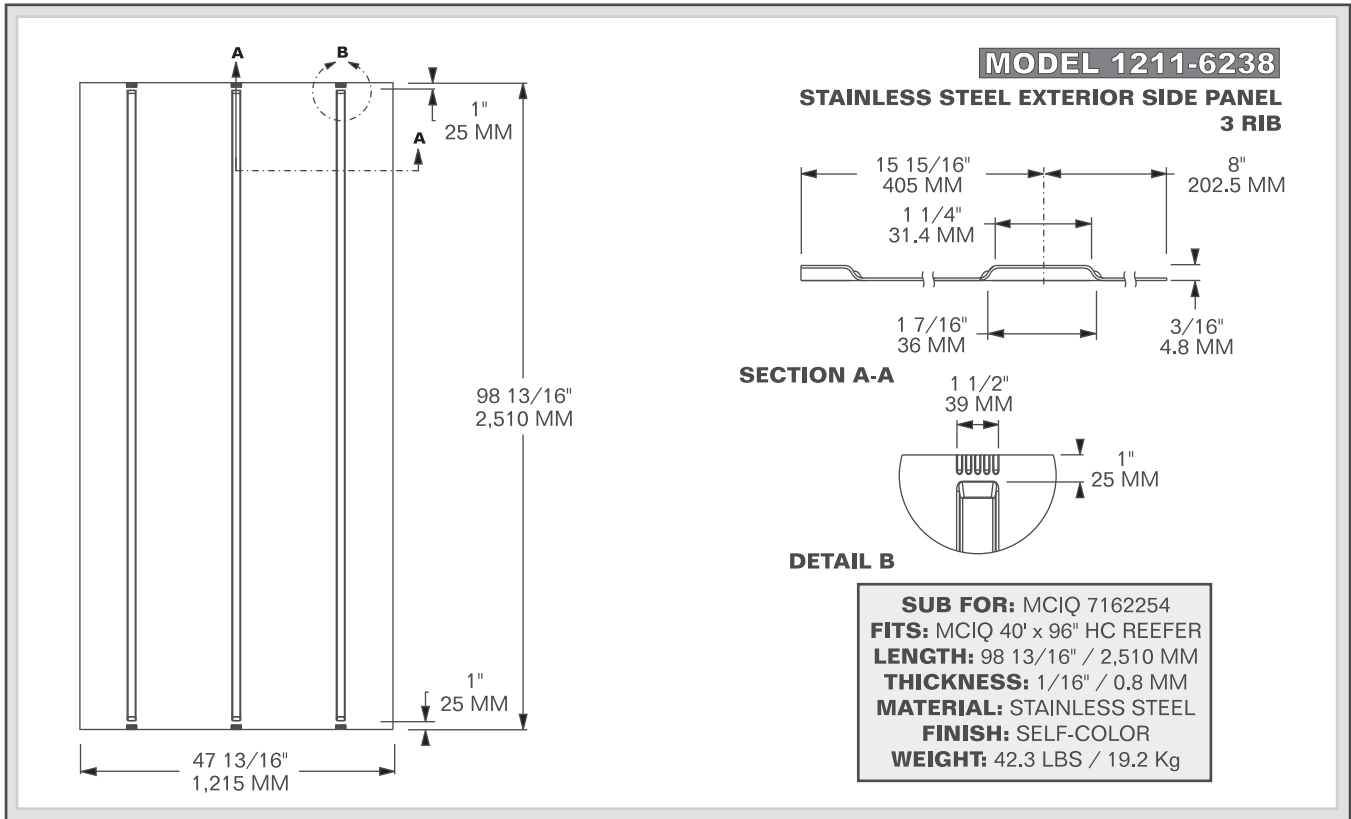
## STAINLESS STEEL (EXTERIOR) 2 RIB





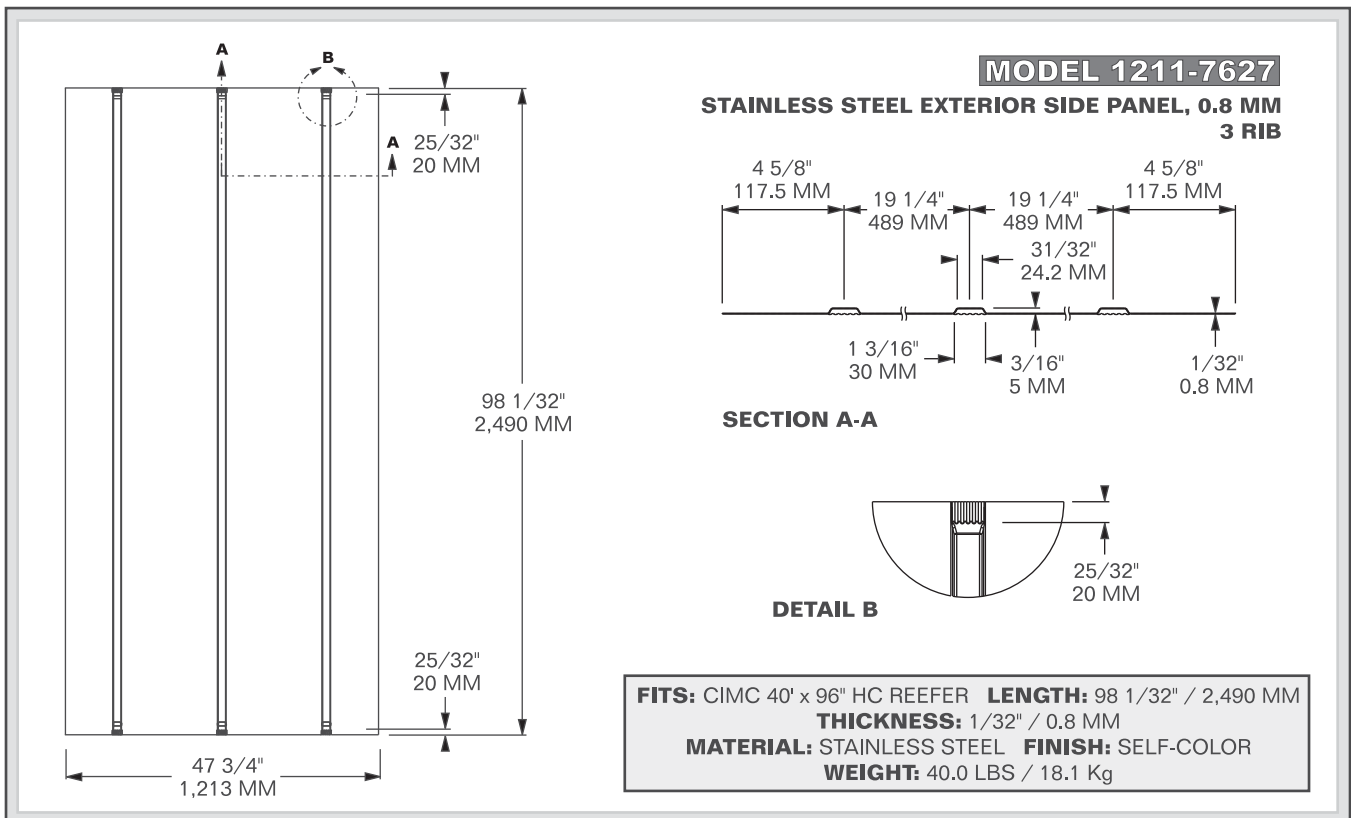
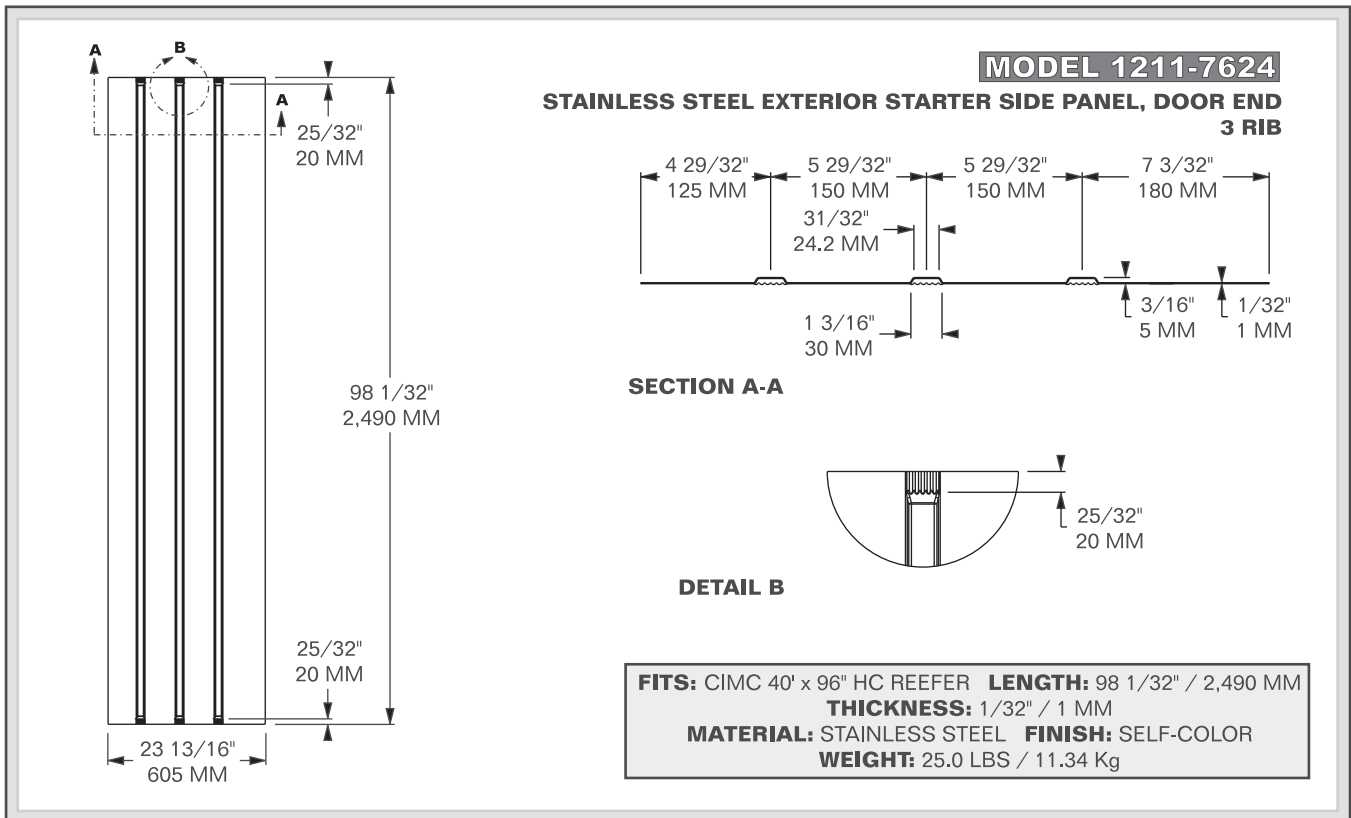
# CONTAINER SIDE PANELS

## STAINLESS STEEL (EXTERIOR) 3 RIB



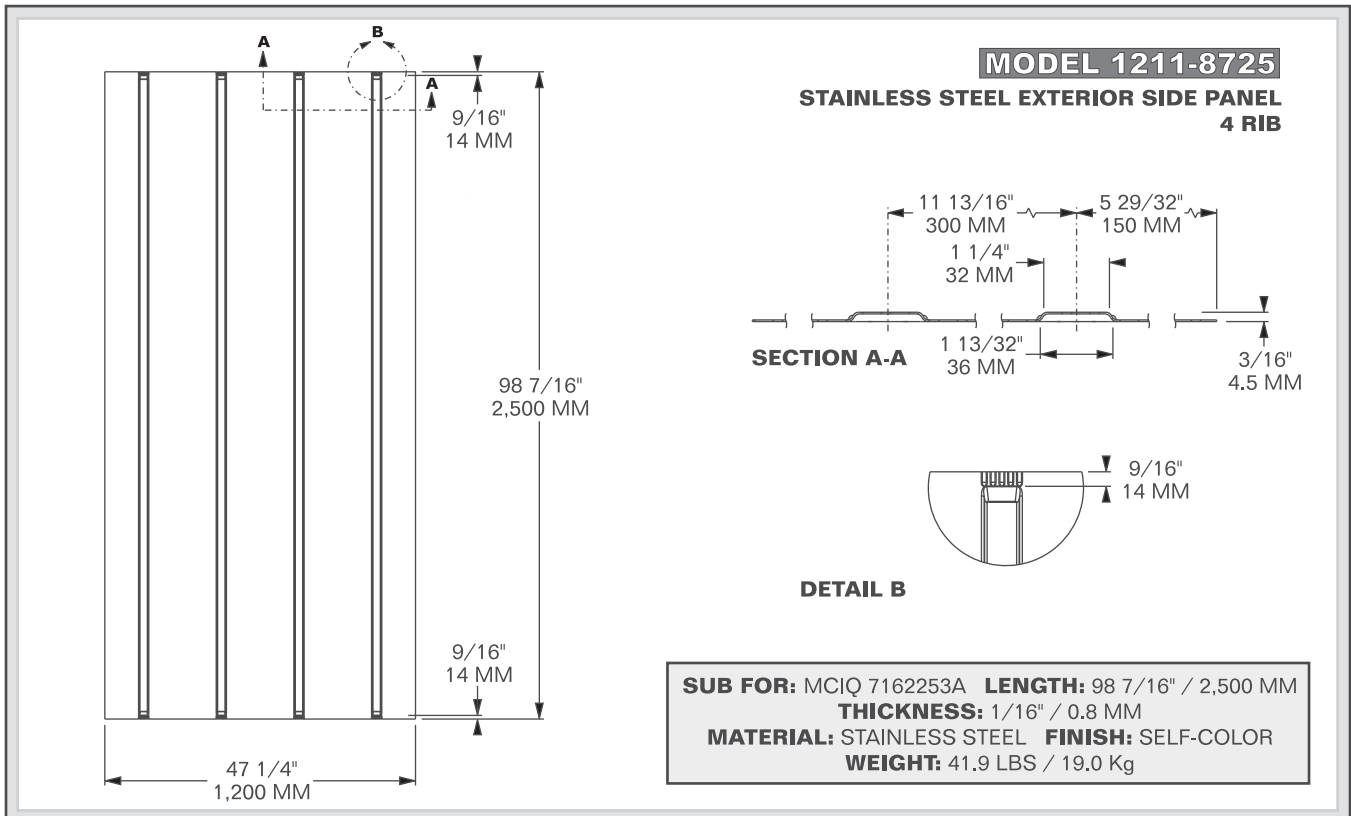
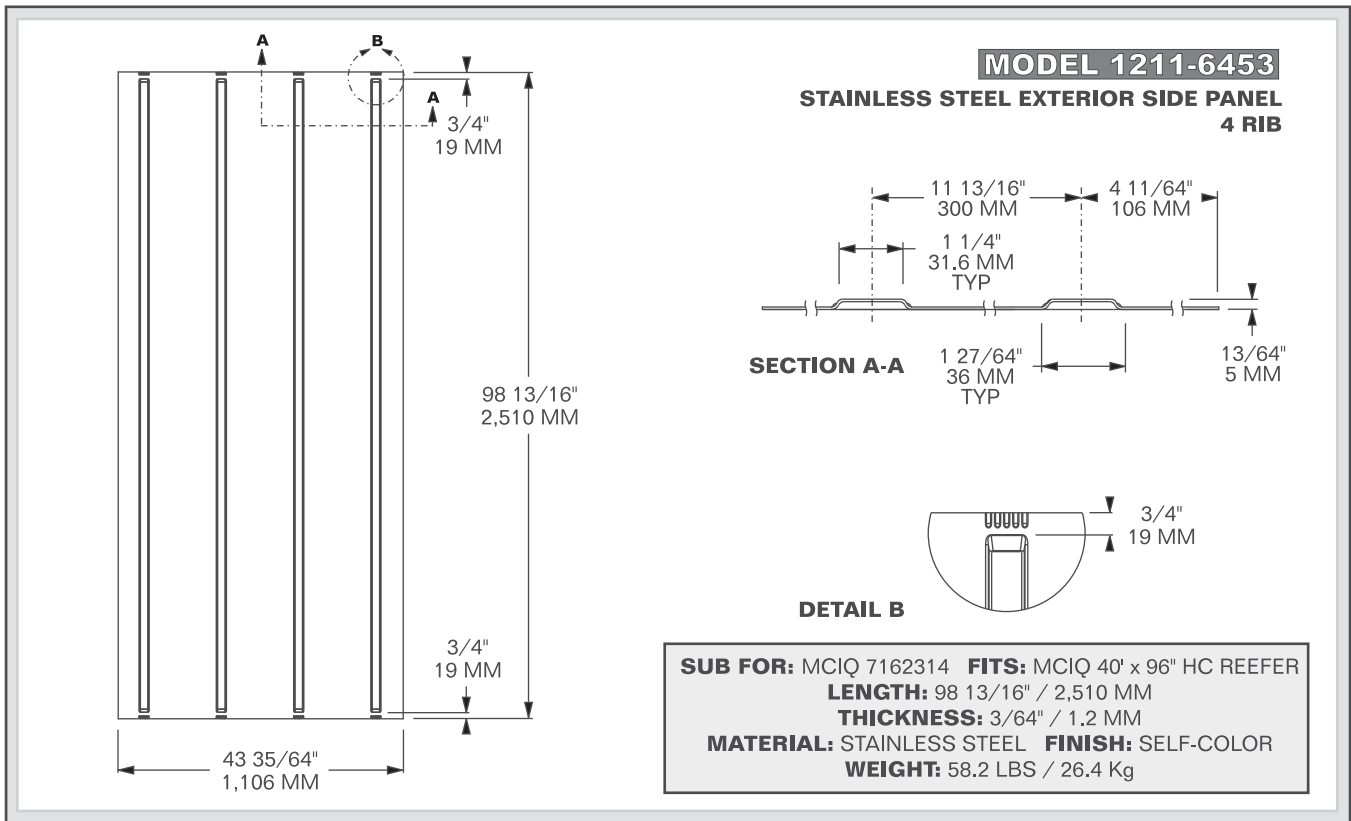
# CONTAINER SIDE PANELS

## STAINLESS STEEL (EXTERIOR) 3 RIB



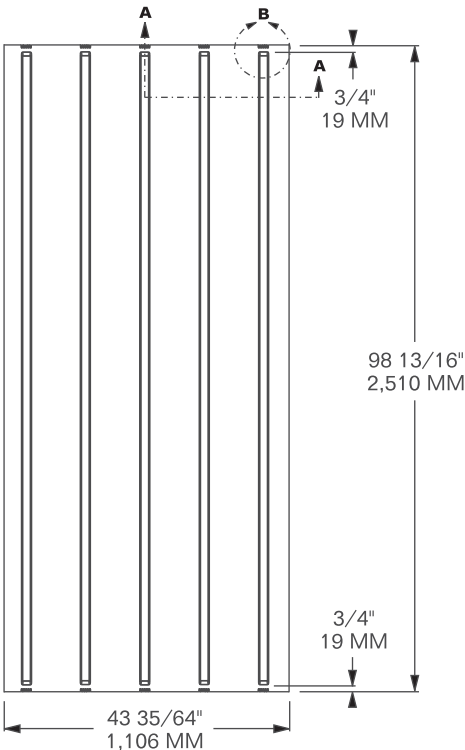
# CONTAINER SIDE PANELS

## STAINLESS STEEL (EXTERIOR) 4 RIB

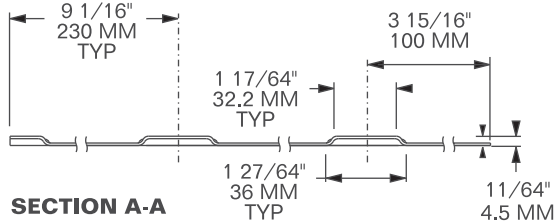


# CONTAINER SIDE PANELS

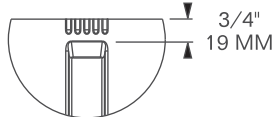
## STAINLESS STEEL (EXTERIOR) 5 RIB



**MODEL 1211-6454**  
**STAINLESS STEEL EXTERIOR SIDE PANEL**  
**5 RIB**

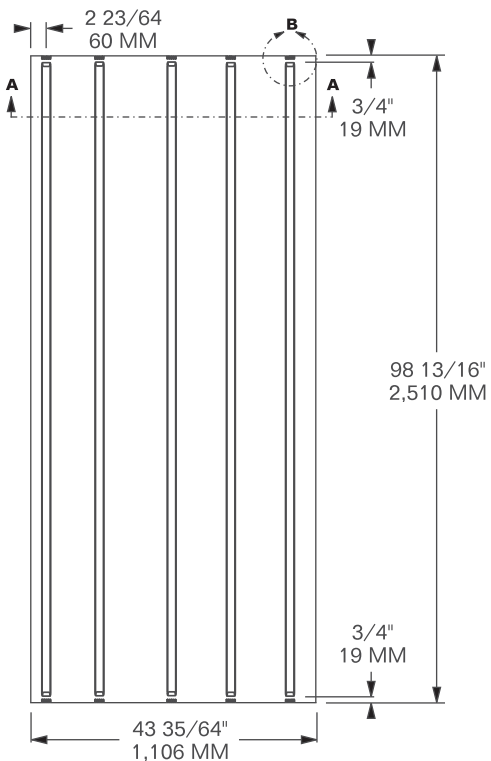


**SECTION A-A**

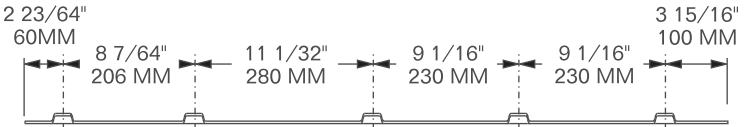


**DETAIL B**

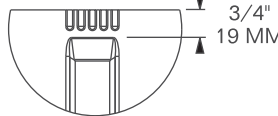
**SUB FOR:** MCIQ 7162302    **FITS:** MCIQ 40' x 96" HC REEFER  
**LENGTH:** 98 13/16" / 2,510 MM  
**THICKNESS:** 3/64" / 1.2 MM  
**MATERIAL:** STAINLESS STEEL    **FINISH:** SELF-COLOR  
**WEIGHT:** 58.2 LBS / 26.4 Kg



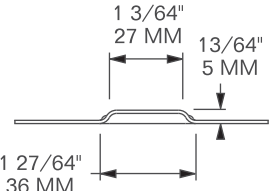
**MODEL 1211-6537**  
**STAINLESS STEEL EXTERIOR SIDE PANEL**  
**5 RIB**



**SECTION A-A**



**DETAIL B**

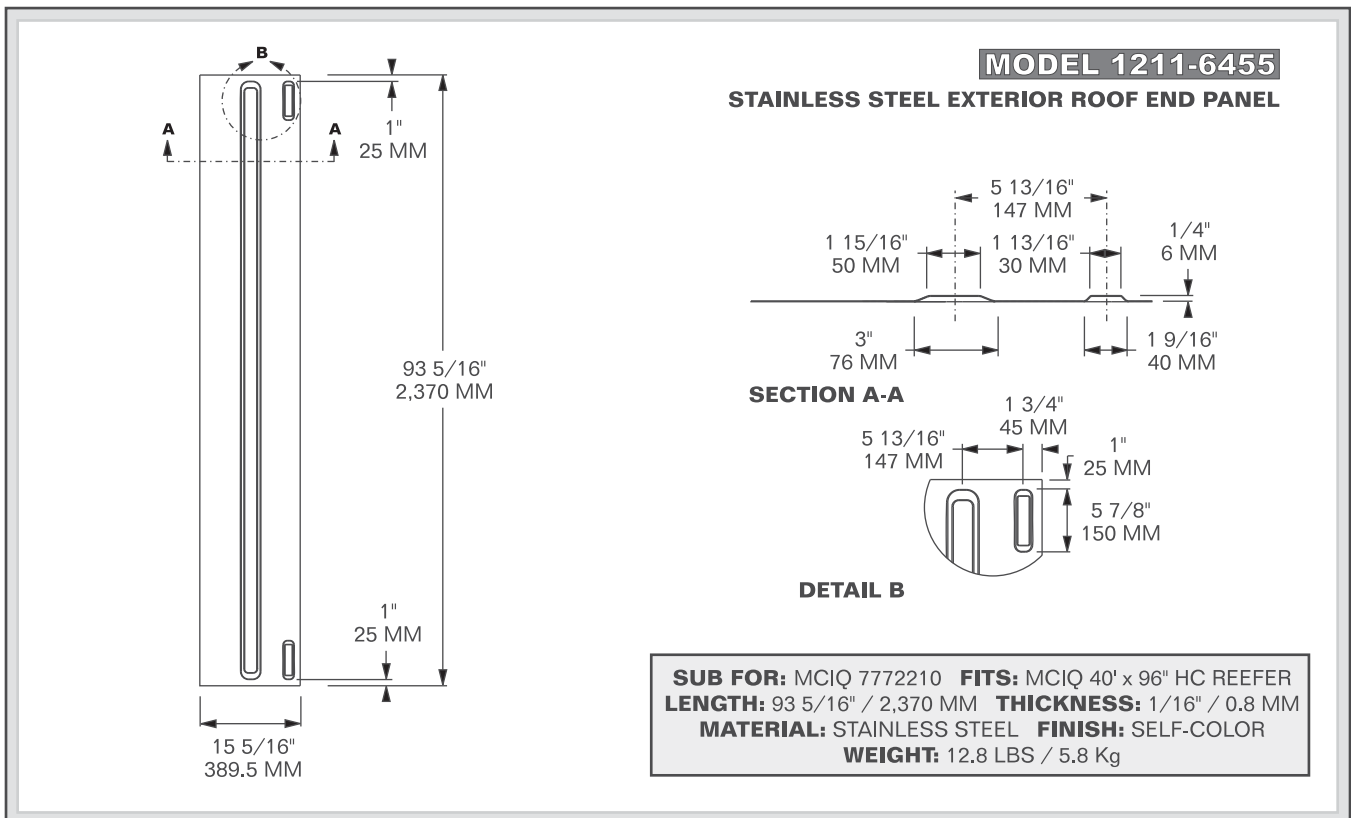
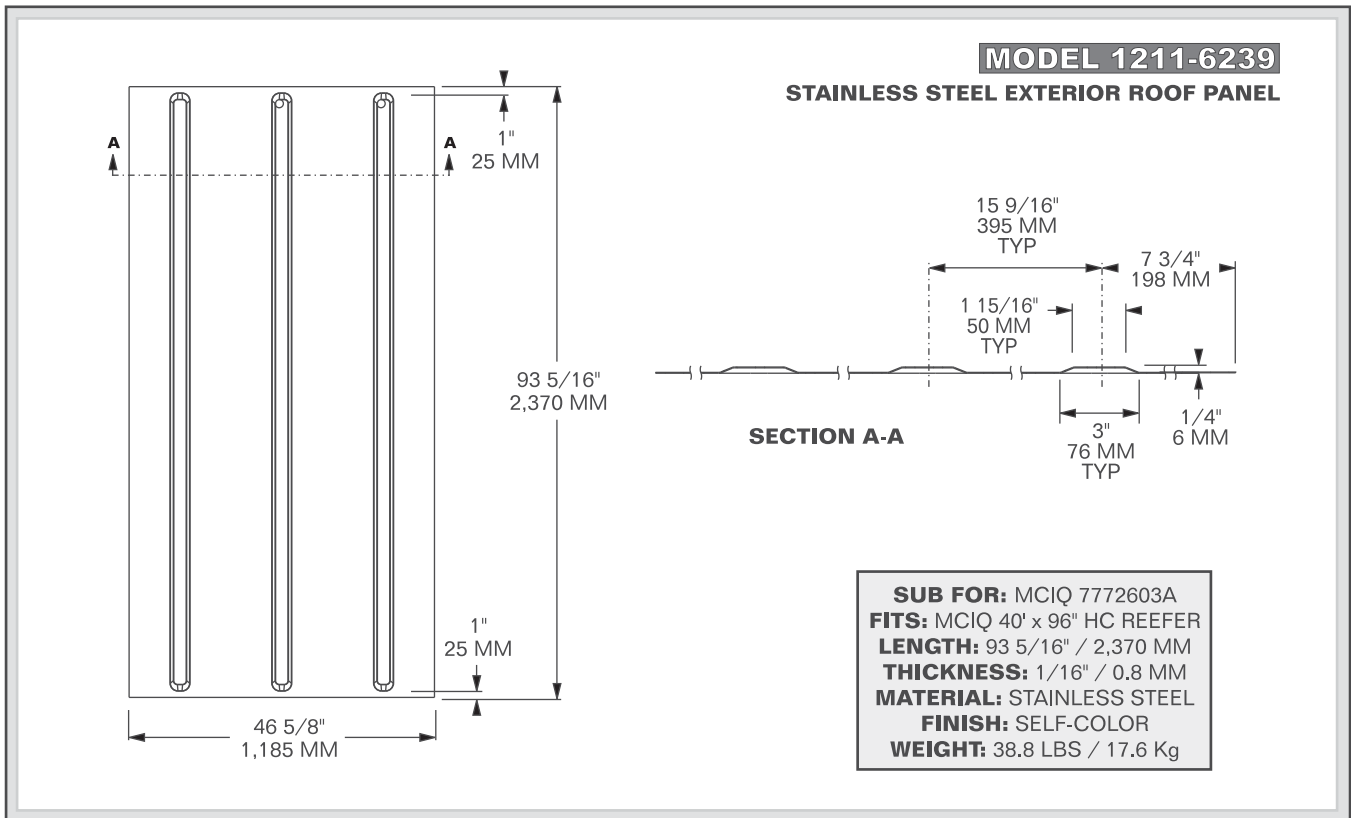


**DETAIL C**

**SUB FOR:** MCIQ 7162320  
**FITS:** MCIQ 40' x 96" MODEL MQRS-40-281B  
SERIAL APRU 504301-504500, MADE JAN. 2002 FOR APL  
**LENGTH:** 98 13/16" / 2,510 MM  
**THICKNESS:** 3/64" / 1.2 MM  
**MATERIAL:** STAINLESS STEEL    **FINISH:** SELF-COLOR  
**WEIGHT:** 58.0 LBS / 26.3 Kg

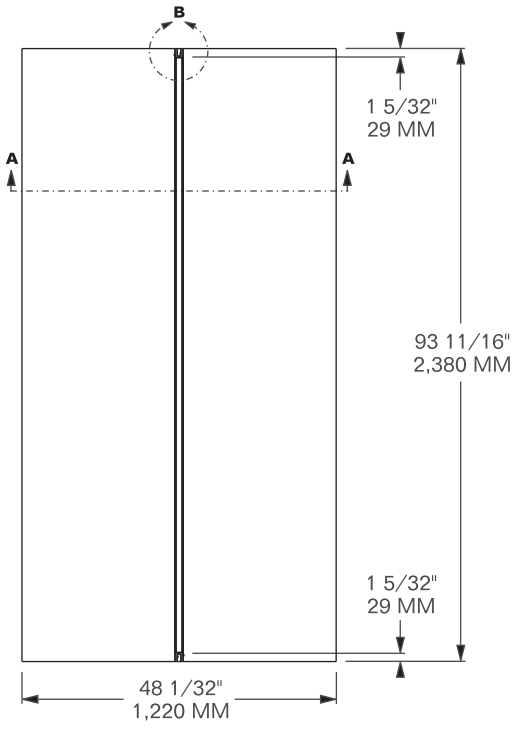
# CONTAINER PANELS

## STAINLESS STEEL ROOF PANELS



# CONTAINER PANELS

## STAINLESS STEEL ROOF PANELS



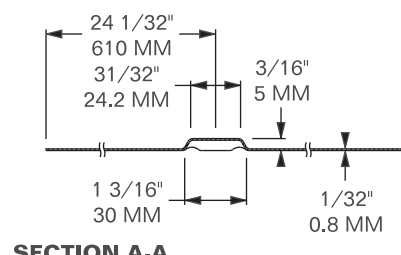
$48 \frac{1}{32}$ "  
1,220 MM

$93 \frac{11}{16}$ "  
2,380 MM

$1 \frac{5}{32}$ "  
29 MM

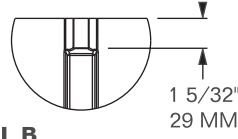
**MODEL 1211-7635**

**STAINLESS STEEL EXTERIOR MAIN ROOF PANEL**



$24 \frac{1}{32}$ "  
610 MM  
 $31 \frac{3}{32}$ "  
24.2 MM  
 $3 \frac{1}{16}$ "  
5 MM  
 $1 \frac{3}{16}$ "  
30 MM  
 $1 \frac{1}{32}$ "  
0.8 MM

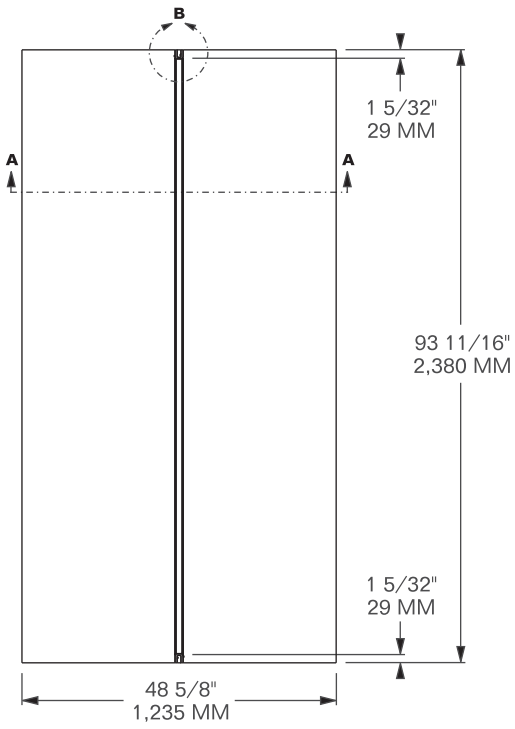
**SECTION A-A**



$1 \frac{5}{32}$ "  
29 MM

**DETAIL B**

**FITS:** CIMC 40' x 96" HC REEFER  
**LENGTH:**  $93 \frac{11}{16}$ " / 2,380 MM  
**THICKNESS:**  $1 \frac{1}{32}$ " / 0.8 MM  
**MATERIAL:** STAINLESS STEEL  
**FINISH:** SELF-COLOR  
**WEIGHT:** 39.0 LBS / 17.6 Kg



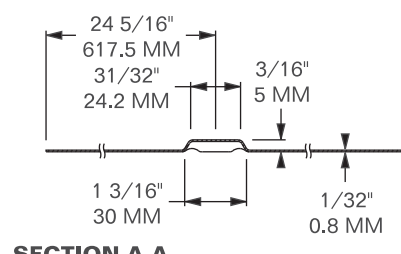
$48 \frac{5}{8}$ "  
1,235 MM

$93 \frac{11}{16}$ "  
2,380 MM

$1 \frac{5}{32}$ "  
29 MM

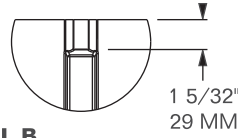
**MODEL 1211-7637**

**STAINLESS STEEL EXTERIOR INTERMEDIATE ROOF PANEL**



$24 \frac{5}{16}$ "  
617.5 MM  
 $31 \frac{3}{32}$ "  
24.2 MM  
 $3 \frac{1}{16}$ "  
5 MM  
 $1 \frac{3}{16}$ "  
30 MM  
 $1 \frac{1}{32}$ "  
0.8 MM

**SECTION A-A**



$1 \frac{5}{32}$ "  
29 MM

**DETAIL B**

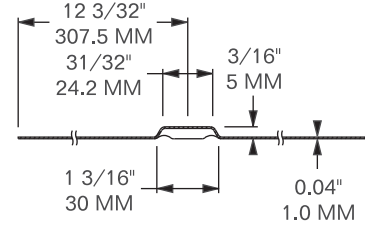
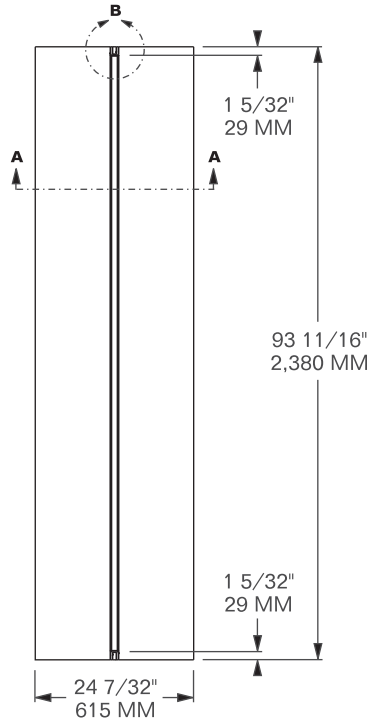
**FITS:** CIMC 40' x 96" HC REEFER  
**LENGTH:**  $93 \frac{11}{16}$ " / 2,380 MM  
**THICKNESS:**  $1 \frac{1}{32}$ " / 0.8 MM  
**MATERIAL:** STAINLESS STEEL  
**FINISH:** SELF-COLOR  
**WEIGHT:** 39.0 LBS / 17.6 Kg

# CONTAINER PANELS

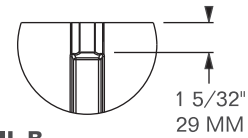
## STAINLESS STEEL ROOF PANELS

**MODEL 1211-7638**

**STAINLESS STEEL EXTERIOR STARTER / END ROOF PANEL**



**SECTION A-A**

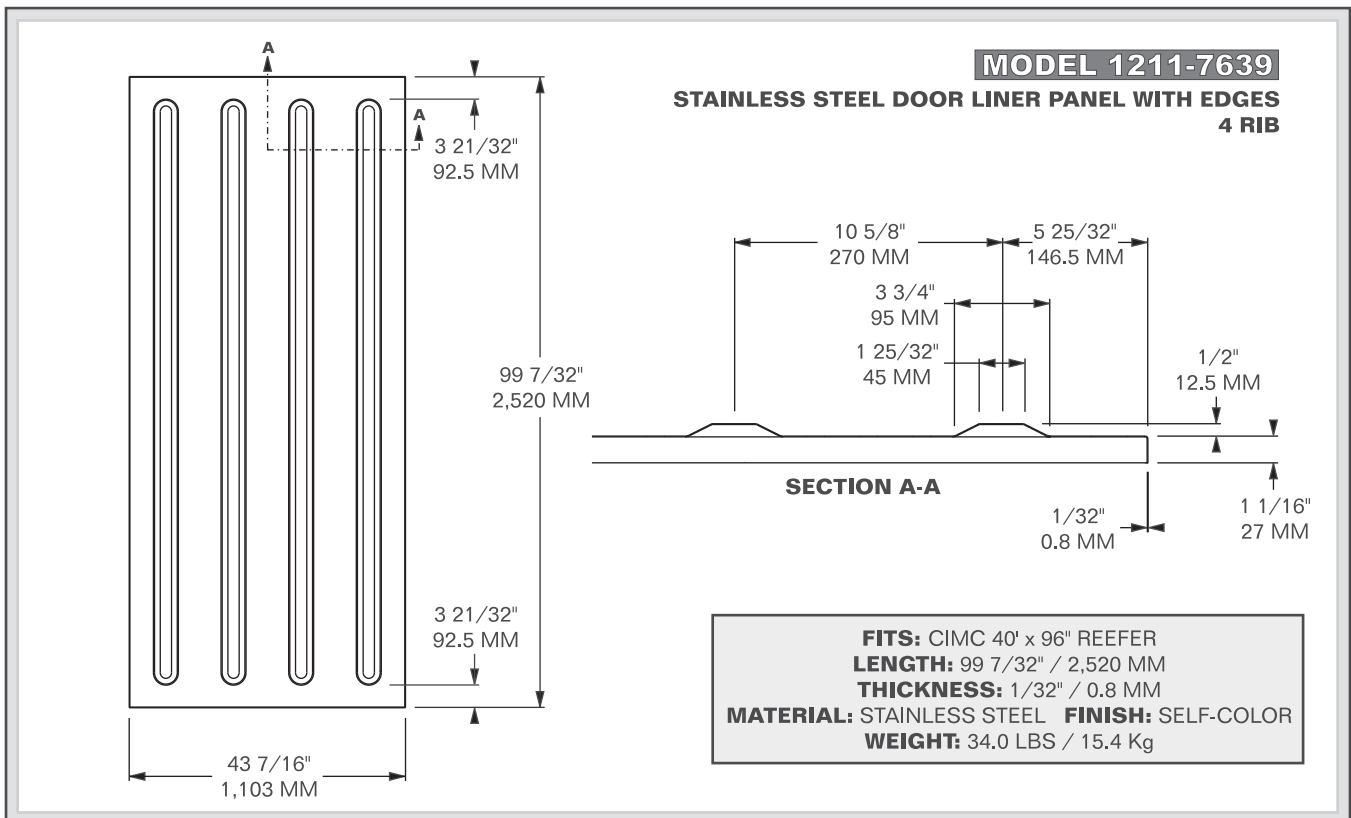
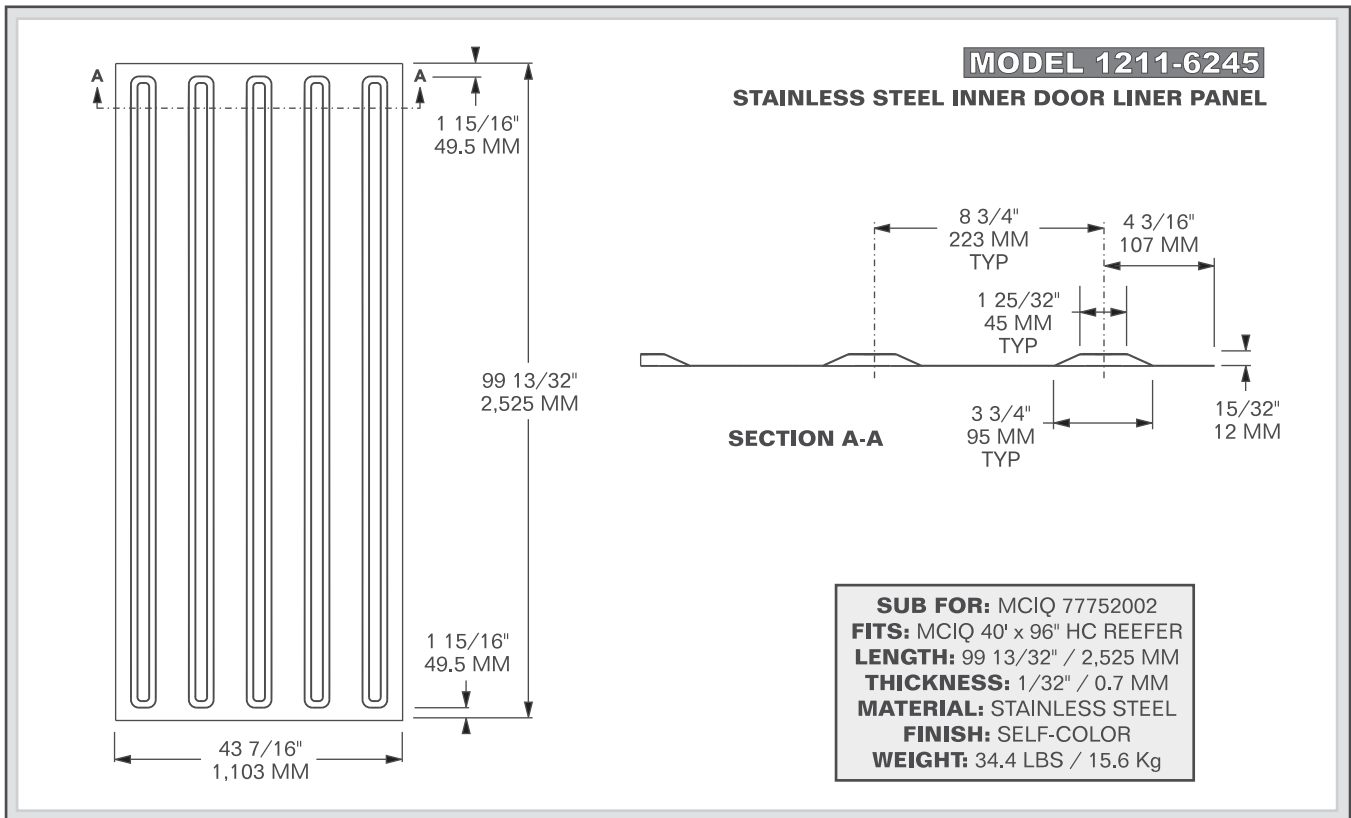


**DETAIL B**

**FITS:** CIMC 40' x 96" HC REEFER  
**LENGTH:** 93 11/16" / 2,380 MM  
**THICKNESS:** 0.04" / 1.0 MM  
**MATERIAL:** STAINLESS STEEL  
**FINISH:** SELF-COLOR  
**WEIGHT:** 24.0 LBS / 10.89 Kg

# CONTAINER PANELS

## STAINLESS STEEL DOOR PANELS





### STAINLESS STEEL FLAT SHEETS

MODEL	WIDTH	LENGTH	THICKNESS	WEIGHT
<b>MODEL 1211-6990</b>	48" 1,219 MM	96" 2,438 MM	18 GA. / 0.048" 1.22 MM	62.33 LBS / 28.27 Kg
<b>MODEL 1211-6991</b>	48" 1,219 MM	96" 2,438 MM	20 GA. / 0.036" 0.914 MM	46.75 LBS / 21.21 Kg
<b>MODEL 1211-6992</b>	48" 1,219 MM	108" 2,743 MM	18 GA. / 0.048" 1.22 MM	70.12 LBS / 31.81 Kg
<b>MODEL 1211-6993</b>	48" 1,219 MM	108" 2,743 MM	20 GA. / 0.036" 0.914 MM	52.60 LBS / 23.86 Kg
<b>MODEL 1211-6994</b>	48" 1,219 MM	120" 3,048 MM	22 GA. / 0.029" 0.76 MM	48.57 LBS / 22.03 Kg
<b>MODEL 1211-6995</b>	48" 1,219 MM	120" 3,048 MM	20 GA. / 0.036" 0.914 MM	58.43 LBS / 26.50 Kg
<b>MODEL 1211-6996</b>	48" 1,219 MM	120" 3,048 MM	18 GA. / 0.048" 1.22 MM	78.00 LBS / 35.38 Kg
<b>MODEL 1211-6997</b>	48" 1,219 MM	120" 3,048 MM	16 GA. / 0.059" 1.52 MM	97.06 LBS / 44.03 Kg

**MATERIAL:** MUFFLER GRADE STAINLESS STEEL  
**FINISH:** SELF-COLOR

### **MODEL 1403-7704**

#### EXTERNAL FLAT DOOR SHEET (SKIN) FOR REEFERS

42 3/16" WIDE x 97 7/8" LENGTH x 1/16" (1.6 MM) THICKNESS

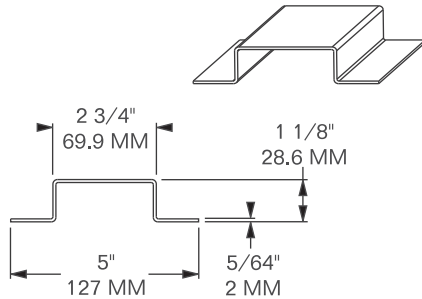
**MATERIAL:** MUFFLER GRADE STAINLESS STEEL

**FINISH:** SELF-COLOR

**WEIGHT:** 72.8 LBS / 33.02 Kg

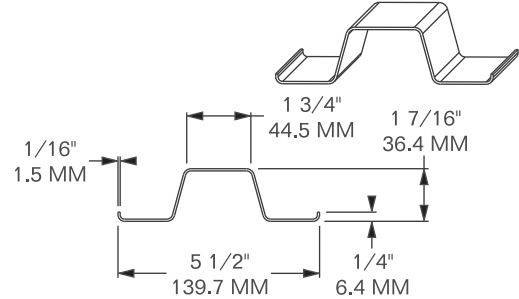
# TRAILER SIDE POSTS REEFER WALL SUPPORTS

**MODEL 1212-2705**



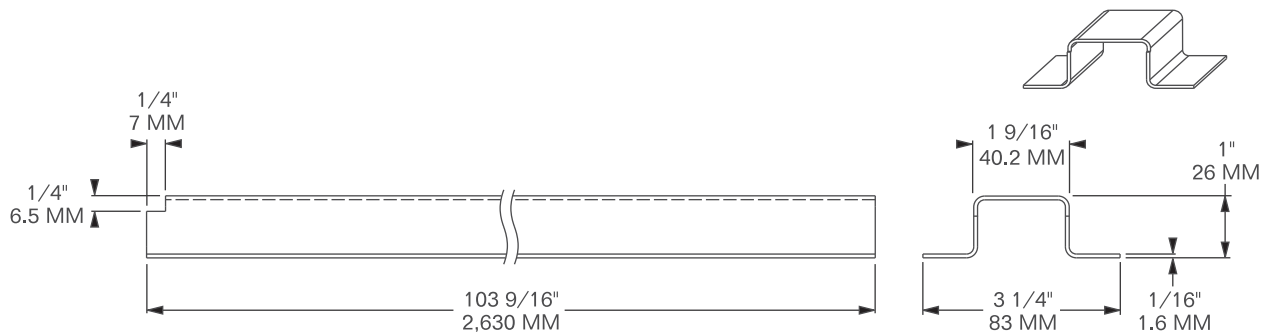
**SUB FOR:** MANAC 501-452, 501-480, HYUNDAI 10004293  
**LENGTH:** 108" / 2,743 MM  
**MATERIAL:** FAB STEEL **FINISH:** ELECTRO-GALV.  
**WEIGHT:** 15.5 LBS / 7.0 Kg

**MODEL 1212-2711**



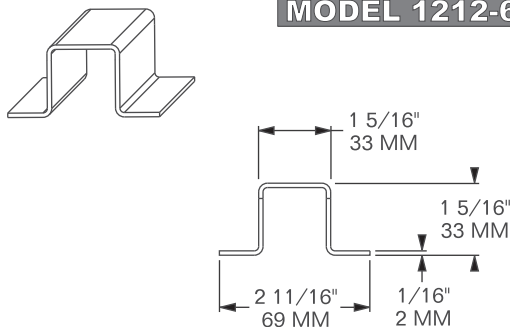
**SUB FOR:** STOUGHTON 03-06347-110-00  
**LENGTH:** 110" / 2,794 MM  
**MATERIAL:** FAB STEEL **FINISH:** ELECTRO-GALV.  
**WEIGHT:** 14.1 LBS / 6.4 Kg

**MODEL 1212-6439**



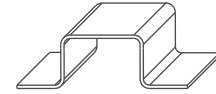
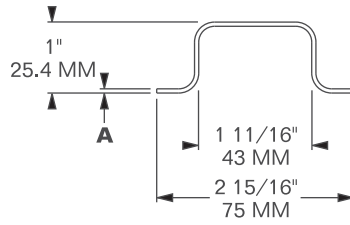
**SUB FOR:** MAERSK 7162459 **LENGTH:** 103 9/16" / 2,630 MM **MATERIAL:** CORTEN  
**FINISH:** PRIMER **WEIGHT:** 9.17 LBS / 4.16 Kg

**MODEL 1212-6440**



**SUB FOR:** MAERSK 7162456  
**LENGTH:** 105 1/16" / 2,669 MM  
**MATERIAL:** CORTEN **FINISH:** PRIMER  
**WEIGHT:** 11.67 LBS / 5.3 Kg

# REEFER WALL SUPPORTS



MODEL	A	LENGTH	MATERIAL	FINISH	WEIGHT	FITS
<b>1212-7654</b>	1/16" / 1.6 MM	99 7/32" / 2,520 MM	CORTEN	WELDABLE PRIMER	7.2 LBS / 3.3 Kg	CIMC
<b>1212-7655</b>	1/32" / 0.8 MM	99 7/32" / 2,520 MM	MGSS	SELF-COLOR	3.5 LBS / 1.6 Kg	CIMC
<b>1212-7656</b>	1/16" / 1.6 MM	87 13/32" / 2,220 MM	CORTEN	WELDABLE PRIMER	6.5 LBS / 2.9 Kg	CIMC



# SIDE POSTS WITH LOGISTICS SLOTS

**SUB FOR:** HYUNDAI H10002740  
**MATERIAL:** 0.074" (14 GA.) STEEL  
**FINISH:** GALVANIZED  
**WEIGHT:** 14.1 LBS / 6.38 Kg

5 1/16"  
3"  
1 1/4"  
1"  
12 7/16"  
23 EA. 'E' SLOTS  
4 5/8"  
107 1/2"

**MODEL 1212-2295**  
**VERTICAL SIDE POST  
 WITH 'E' SLOTS**

**SUB FOR:** HYUNDAI H10007109  
**MATERIAL:** 0.074" (14 GA.) STEEL  
**FINISH:** GALVANIZED  
**WEIGHT:** 15.35 LBS / 6.96 Kg

6 9/16"  
2 3/4"  
1/2"  
12 5/16"  
23 EA. 'A' SLOTS  
5 1/8"  
108"

**MODEL 1212-2633**  
**VERTICAL SIDE POST  
 WITH 'A' SLOTS**

**SUB FOR:** STOUGHTON S03-13042-10875  
**MATERIAL:** 0.074" (14 GA.) STEEL  
**FINISH:** GALVANIZED  
**WEIGHT:** 13.85 LBS / 6.28 Kg

5 1/16"  
3"  
1 1/4"  
1"  
6"  
25 EA. 'A' SLOTS  
2 1/4"  
108 11/16"

**MODEL 1212-2712**  
**VERTICAL SIDE POST  
 WITH 'A' SLOTS**

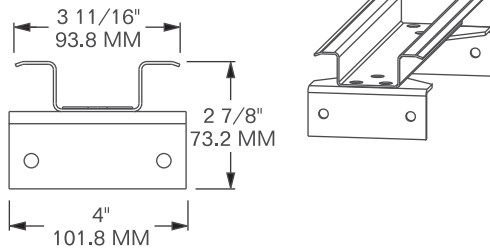


# ROOF BOWS & ASSEMBLIES

SEE ALSO 1304 FOR ALU. ROOF BOWS

## MODEL 1212-2309

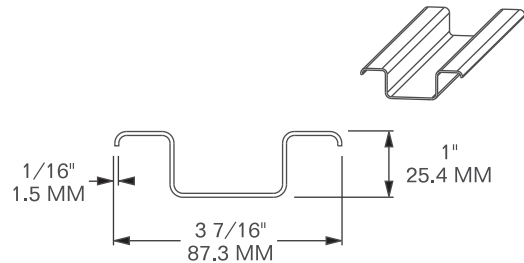
### ROOF BOW ASSEMBLY



**SUB FOR:** STOUGHTON 23-06636-00000  
**LENGTH:** 98 3/4" / 2,508 MM  
**MATERIAL:** FAB STEEL **FINISH:** GALVANIZED  
**WEIGHT:** 9.9 LBS / 4.5 Kg

## MODEL 1212-2716

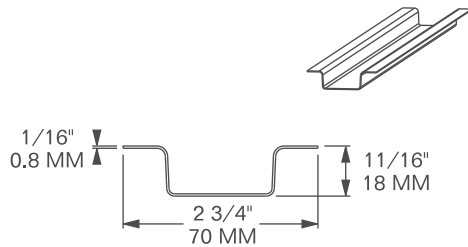
### ROOF BOW



**SUB FOR:** HYUNDAI H10002725  
**LENGTH:** 96" / 2,794 MM  
**MATERIAL:** FAB STEEL **FINISH:** GALVANIZED  
**WEIGHT:** 9.3 LBS / 4.2 Kg

## MODEL 1212-7021

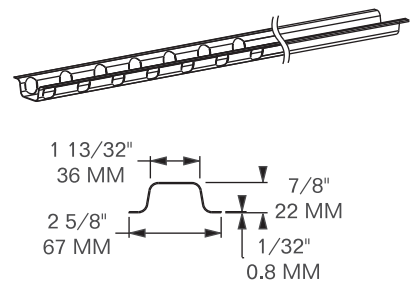
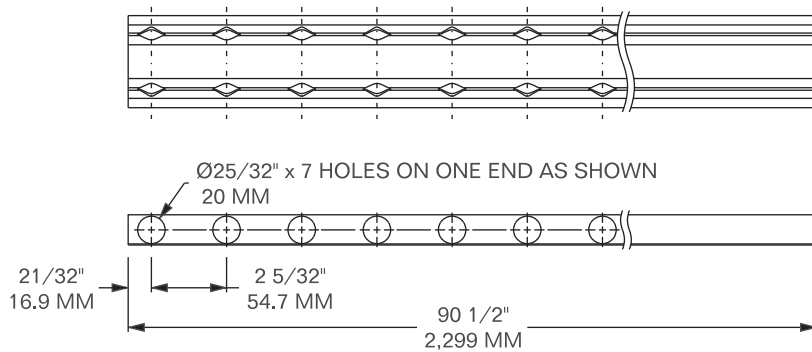
### ROOF BOW



**LENGTH:** 92" / 2,337 MM  
**MATERIAL:** FAB STAINLESS STEEL  
**FINISH:** SELF-COLOR  
**WEIGHT:** 3.26 LBS / 1.48 Kg

## MODEL 1212-7565

### ROOF BOW

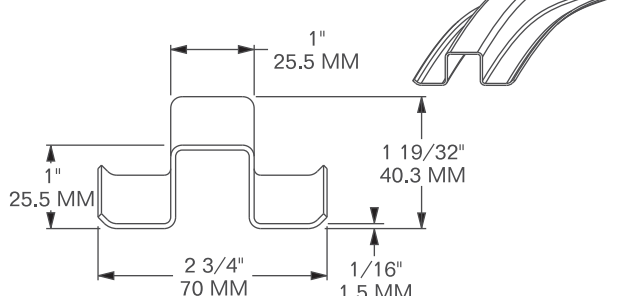


**SPECIAL ORDER**  
**LENGTH:** 90 1/2" / 2,299 MM **MATERIAL:** STAINLESS STEEL  
**FINISH:** SELF-COLOR **WEIGHT:** 2.93 LBS / 1.33 Kg

# ROOF BOWS & ASSEMBLIES

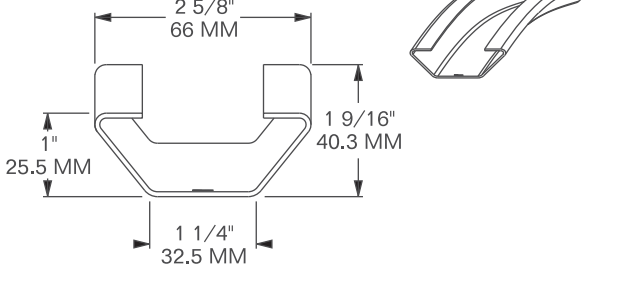
SEE ALSO 1304 FOR ALU. ROOF BOWS

**MODEL 1212-8759**  
**ROOF BOW**



**LENGTH:** 99" / 2,515 MM **MATERIAL:** FAB STEEL  
**FINISH:** GALVANIZED **WEIGHT:** 7.1 LBS / 3.2 Kg

**MODEL 1212-8760**  
**ROOF BOW**

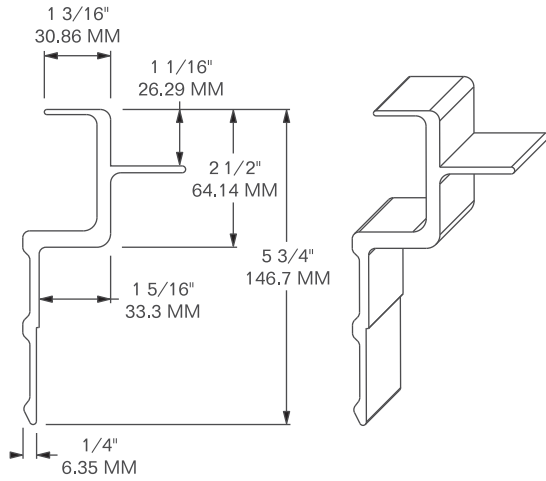


**LENGTH:** 99" / 2,515 MM **MATERIAL:** FAB STEEL  
**FINISH:** GALVANIZED **WEIGHT:** 6.25 LBS / 2.85 Kg



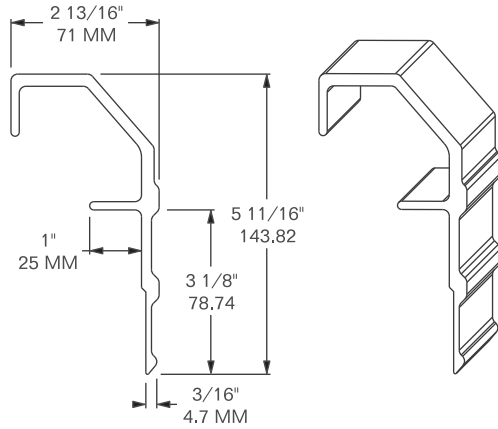
# ALUMINUM SIDE TOP RAILS

**MODEL 1301-2125**



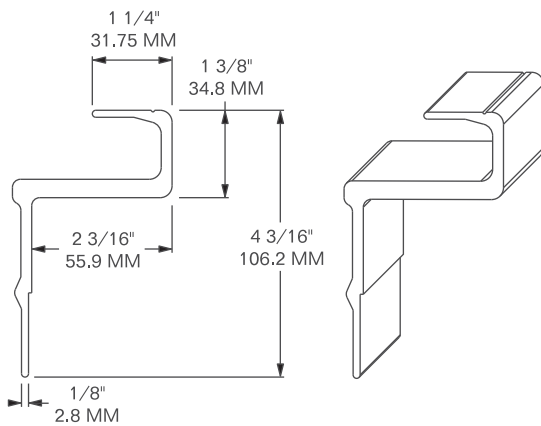
**FITS:** NIPPON, FRUEHAUF  
**LENGTH:** 39' / 11,887 MM  
**MATERIAL:** ALUMINUM  
**FINISH:** SELF-COLOR  
**WEIGHT:** 87.1 LBS / 39.5 Kg

**MODEL 1301-2127**



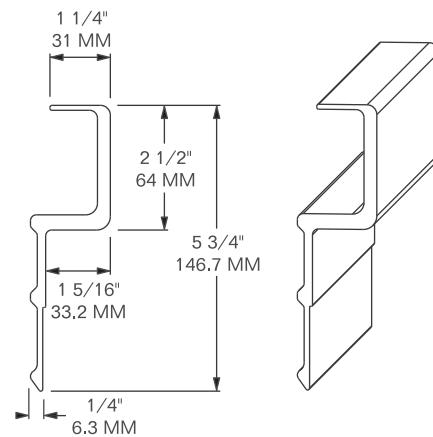
**FITS:** CARLISLE 2000  
**LENGTH:** 39' / 11,887 MM  
**MATERIAL:** ALUMINUM  
**FINISH:** SELF-COLOR  
**WEIGHT:** 85.2 LBS / 38.6 Kg

**MODEL 1301-2141**



**SUB FOR:** CARLISLE 1128  
**LENGTH:** 39' / 11,887 MM  
**MATERIAL:** ALUMINUM  
**FINISH:** SELF-COLOR  
**WEIGHT:** 67.5 LBS / 30.6 Kg

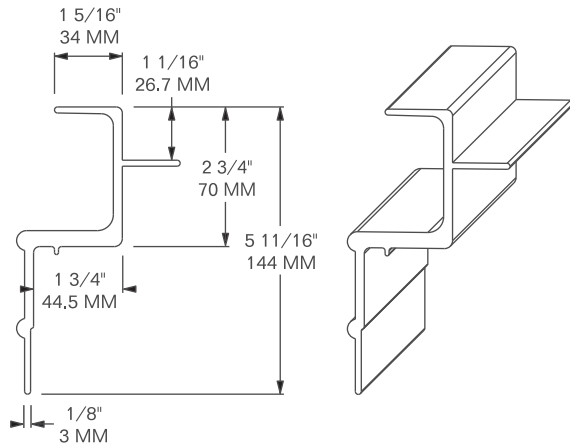
**MODEL 1301-2142**



**SUB FOR:** JINDO 0020314  
**LENGTH:** 39' / 11,887 MM  
**MATERIAL:** ALUMINUM  
**FINISH:** SELF-COLOR  
**WEIGHT:** 76.8 LBS / 34.8 Kg

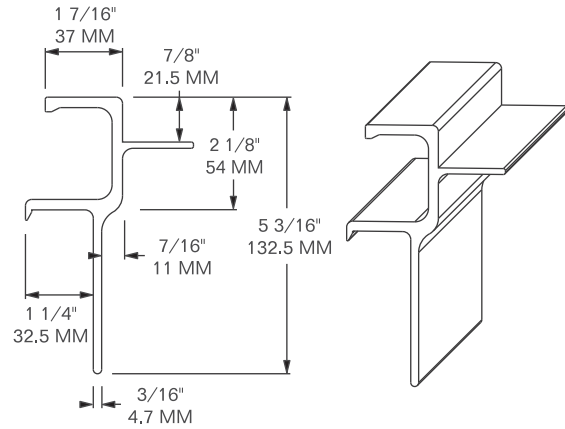
# ALUMINUM SIDE TOP RAILS

**MODEL 1301-2314**



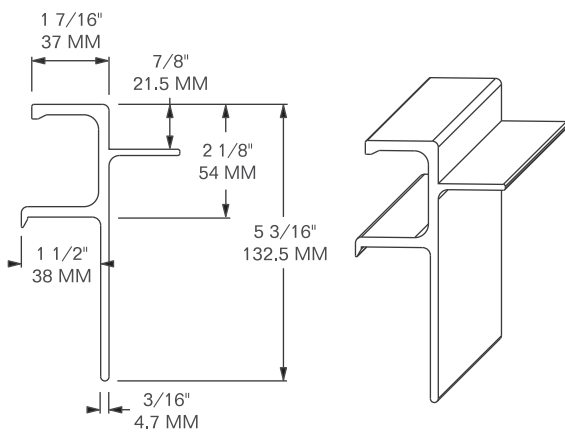
**FITS:** EVERGREEN H.I.  
**LENGTH:** 39' / 11,887 MM  
**MATERIAL:** ALUMINUM ALLOY  
**FINISH:** SELF-COLOR  
**WEIGHT:** 86.2 LBS / 39.1 Kg

**MODEL 1301-2319**



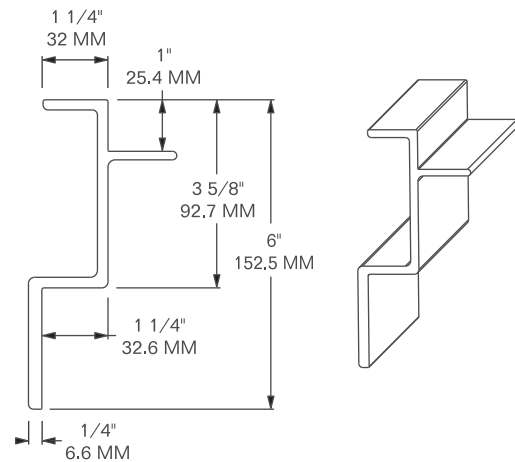
**SUB FOR:** HYUNDAI 10006153  
**LENGTH:** 39' / 11,887 MM  
**MATERIAL:** ALUMINUM  
**FINISH:** SELF-COLOR  
**WEIGHT:** 78.74 LBS / 35.72 Kg

**MODEL 1301-2330**



**SUB FOR:** HYUNDAI 10004927  
**LENGTH:** 39' / 11,887 MM  
**MATERIAL:** ALUMINUM  
**FINISH:** SELF-COLOR  
**WEIGHT:** 76.1 LBS / 34.52 Kg

**MODEL 1301-2333**

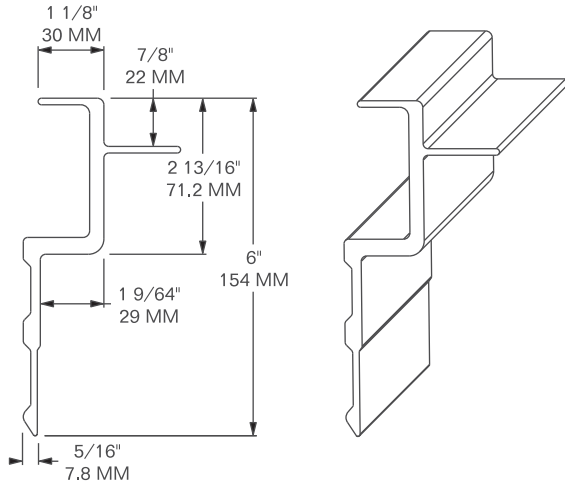


**SUB FOR:** HYUNDAI 10004926  
**LENGTH:** 51' 6" / 15,697 MM  
**MATERIAL:** ALUMINUM  
**FINISH:** SELF-COLOR  
**WEIGHT:** 124.11 LBS / 56.29 Kg



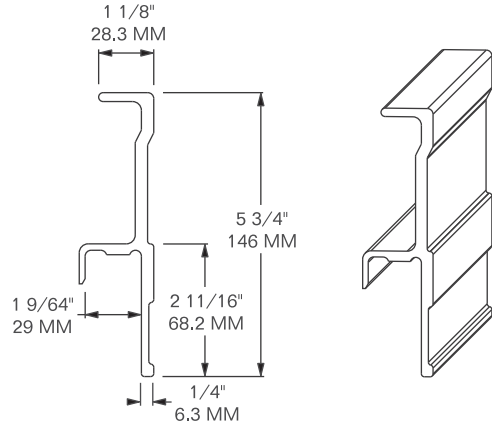
# ALUMINUM SIDE TOP RAILS

**MODEL 1301-2335**



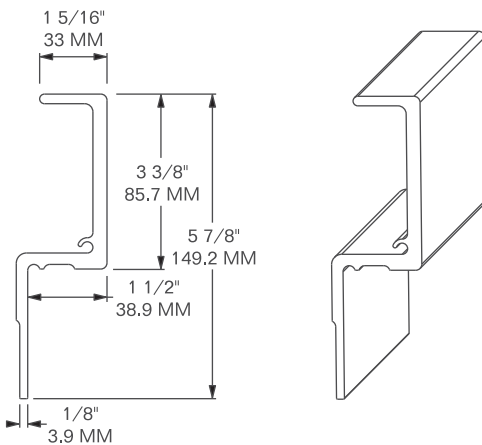
**SUB FOR:** HYUNDAI 10004933, 10007686  
**LENGTH:** 39' / 11,887 MM  
**MATERIAL:** ALUMINUM  
**FINISH:** SELF-COLOR  
**WEIGHT:** 88.6 LBS / 40.2 Kg

**MODEL 1301-2710**



**SUB FOR:** STOUGHTON 02-13351  
**LENGTH:** 38' 6\" / 11,735 MM  
**MATERIAL:** ALUMINUM  
**FINISH:** SELF-COLOR  
**WEIGHT:** 86.0 LBS / 39.0 Kg

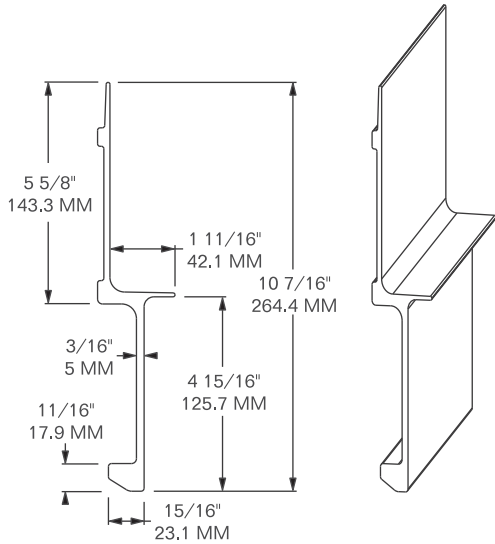
**MODEL 1301-2714**



**SUB FOR:** STOUGHTON 02-06388-52075  
**LENGTH:** 53' / 16,154 MM  
**MATERIAL:** ALUMINUM  
**FINISH:** SELF-COLOR  
**WEIGHT:** 121.9 LBS / 55.3 Kg

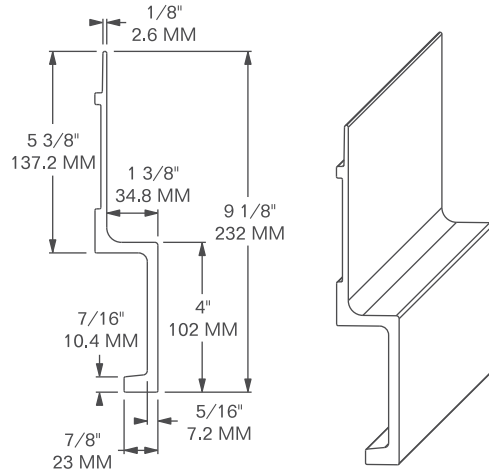
# ALUMINUM SIDE BOTTOM RAILS

**MODEL 1302-2124**



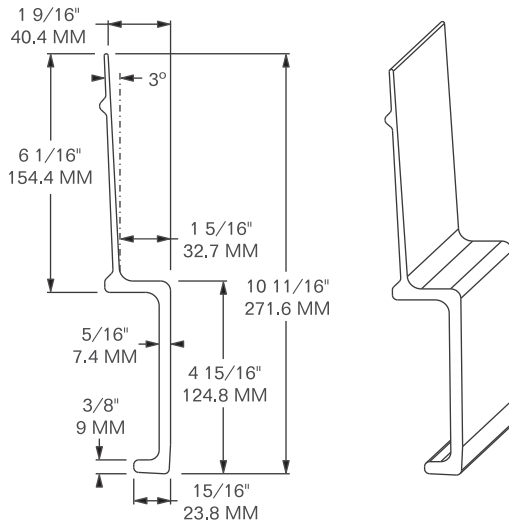
**FITS:** SEACO, CIMC, CARLISLE 3001  
**LENGTH:** 39' / 11,887 MM  
**MATERIAL:** ALUMINUM  
**FINISH:** SELF-COLOR  
**WEIGHT:** 126.0 LBS / 57.2 Kg

**MODEL 1302-2126**



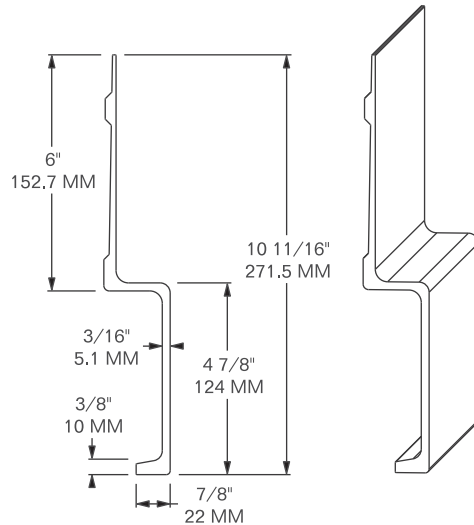
**FITS:** NIPPON, FREUHAUF  
**LENGTH:** 39' / 11,887 MM  
**MATERIAL:** ALUMINUM  
**FINISH:** SELF-COLOR  
**WEIGHT:** 127.7 LBS / 57.92 Kg

**MODEL 1302-2231**



**FITS:** JINDO  
**LENGTH:** 39' / 11,887 MM  
**MATERIAL:** ALUMINUM **FINISH:** SELF-COLOR  
**WEIGHT:** 132.7 LBS / 60.2 Kg

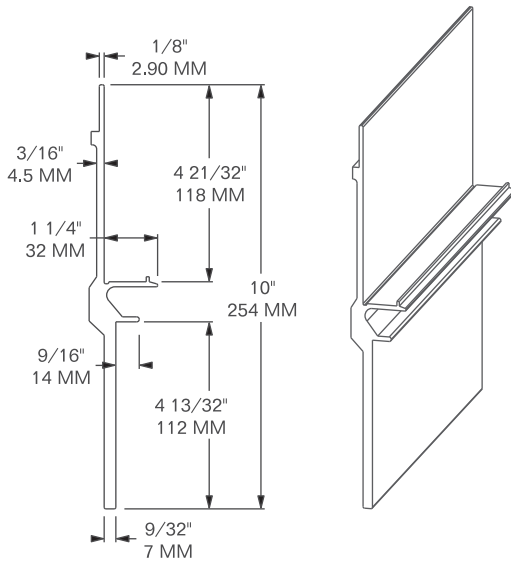
**MODEL 1302-2324**



**SUB FOR:** CIMC-02-010, HYUNDAI 10004714/4715  
**LENGTH:** 39' / 11,887 MM  
**MATERIAL:** ALUMINUM  
**FINISH:** SELF-COLOR  
**WEIGHT:** 113.5 LBS / 51.5 Kg

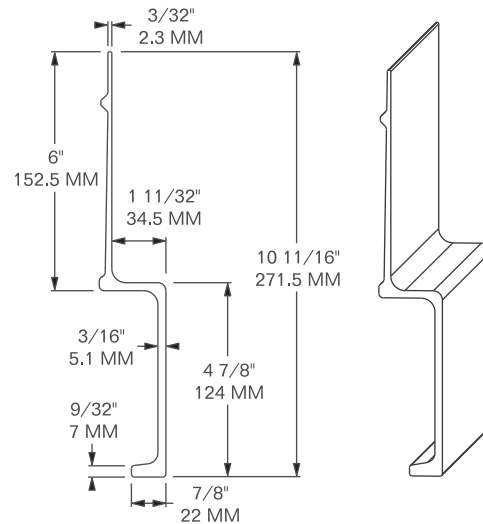
# ALUMINUM SIDE BOTTOM RAILS

**MODEL 1302-2343**



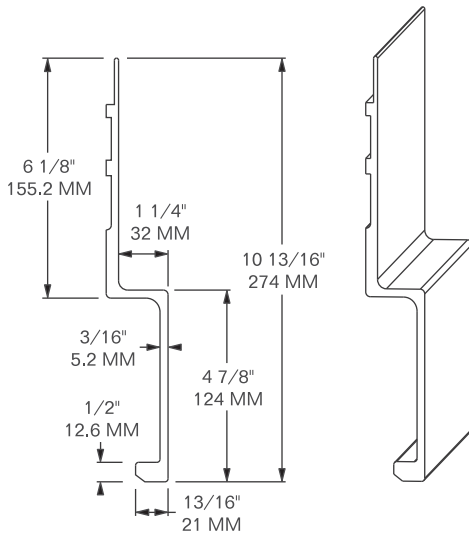
**SUB FOR:** HYUNDAI 10004712  
**LENGTH:** 39' / 11,887 MM  
**MATERIAL:** ALUMINUM  
**FINISH:** SELF-COLOR  
**WEIGHT:** 126.0 LBS / 57.2 Kg

**MODEL 1302-2522**



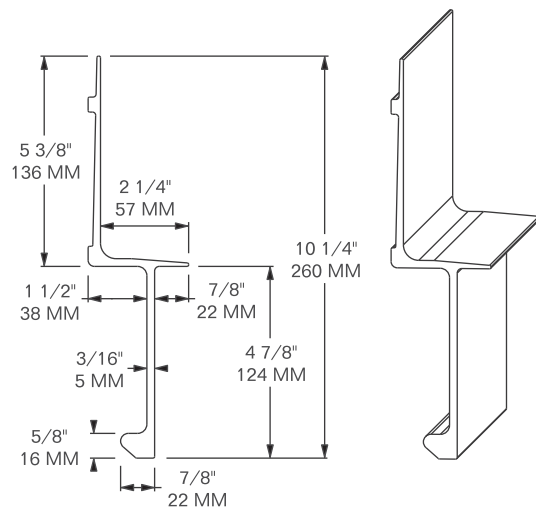
**SUB FOR:** CARLISLE 1127  
**FITS:** NIPPON, FREUHAUF  
**LENGTH:** 39' / 11,887 MM  
**MATERIAL:** ALUMINUM  
**FINISH:** SELF-COLOR  
**WEIGHT:** 108.8 LBS / 49.35 Kg

**MODEL 1302-2781**



**FITS:** EVERGREEN H.I.  
**LENGTH:** 39' / 11,887 MM  
**MATERIAL:** ALUMINUM  
**FINISH:** SELF-COLOR  
**WEIGHT:** 129.5 LBS / 58.7 Kg

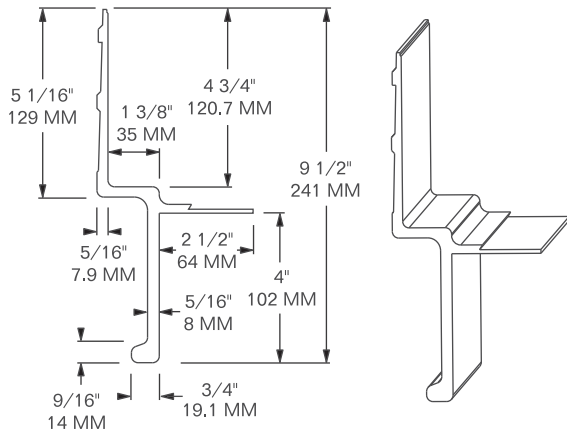
**MODEL 1302-6301**



**FITS:** JINDO  
**LENGTH:** 39' / 11,887 MM  
**MATERIAL:** ALUMINUM  
**FINISH:** SELF-COLOR  
**WEIGHT:** 121.3 LBS / 55.0 Kg

**MODEL 1302-6506**

**MODEL 1302-6506-19.5**

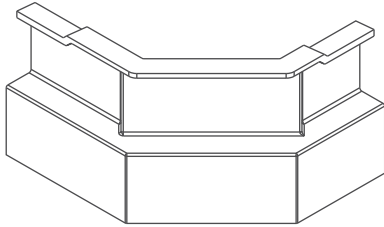


**1302-6506 LENGTH:** 39' / 11,887 MM  
**1302-6506-19.5 LENGTH:** 19' 5" / 5,918 MM  
**FITS:** CIMC 40' REEFER CONT.  
**MATERIAL:** ALUMINUM **FINISH:** SELF-COLOR  
**1302-6506 WEIGHT:** 160.0 LBS / 72.6 Kg  
**1302-6506-19.5 WEIGHT:** 80.0 LBS / 36.3 Kg

# ALUMINUM CORNER CAPS

**MODEL 1303-2062-CS**

**CURBSIDE**

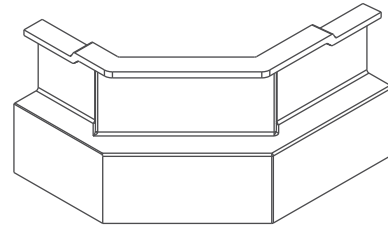


**SUB FOR:** HYUNDAI 10004168,  
MONON V02-197-R

**MATERIAL:** CAST ALUMINUM  
**FINISH:** SELF-COLOR  
**WEIGHT:** 2.60 LBS / 1.18 Kg

**MODEL 1303-2062-RS**

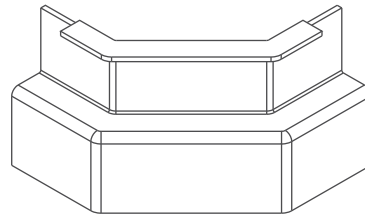
**ROADSIDE**



**SUB FOR:** HYUNDAI 10004167,  
MONON V02-198-L

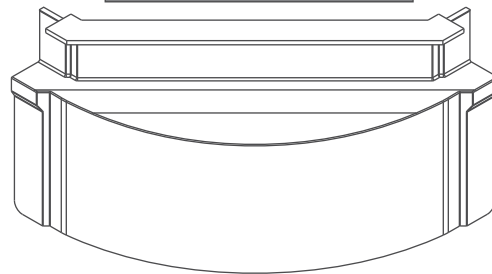
**MODEL 1303-2063**

**SUB FOR:** MILLER 044-090200  
**MATERIAL:** CAST ALUMINUM  
**FINISH:** SELF-COLOR  
**WEIGHT:** 2.1 LBS / 0.95 Kg



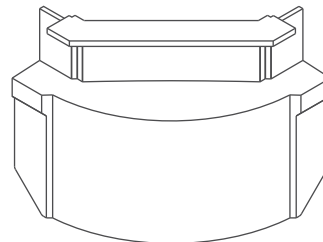
**MODEL 1303-2065**

**SUB FOR:** LUFKIN 10" 60113  
**MATERIAL:** CAST ALUMINUM  
**FINISH:** SELF-COLOR  
**WEIGHT:** 3.95 LBS / 1.79 Kg



**MODEL 1303-2066**

**SUB FOR:** LUFKIN 6" 65278  
**MATERIAL:** CAST ALUMINUM  
**FINISH:** SELF-COLOR  
**WEIGHT:** 2.60 LBS / 1.18 Kg



# ALUMINUM CORNER CAPS

**MODEL 1303-2067-CS**  
**CURBSIDE**



3/16"      7/32"

**MATERIAL:** CAST ALUMINUM  
**FINISH:** SELF-COLOR  
**WEIGHT:** 2.75 LBS / 1.25 Kg

**SUB FOR:** HYUNDAI 10012219 RH

**MODEL 1303-2067-RS**  
**ROADSIDE**

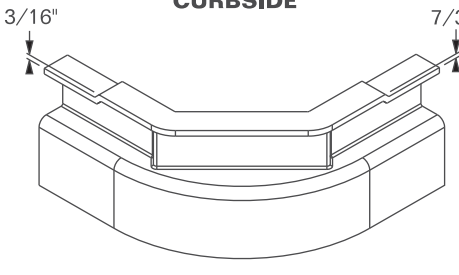


7/32"      3/16"

**MATERIAL:** CAST ALUMINUM  
**FINISH:** SELF-COLOR  
**WEIGHT:** 2.75 LBS / 1.25 Kg

**SUB FOR:** HYUNDAI 10012220 LH

**MODEL 1303-2068-CS**  
**CURBSIDE**

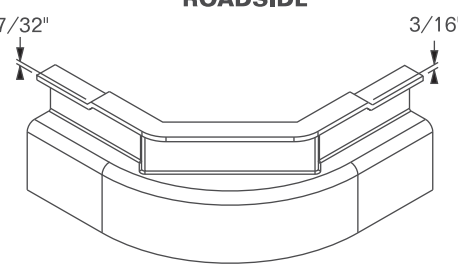


3/16"      7/32"

**MATERIAL:** CAST ALUMINUM  
**FINISH:** SELF-COLOR  
**WEIGHT:** 2.5 LBS / 1.13 Kg

**SUB FOR:** HYUNDAI 10013434 RH

**MODEL 1303-2068-RS**  
**ROADSIDE**



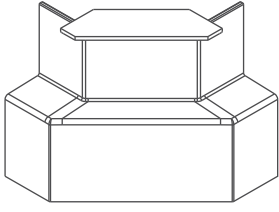
7/32"      3/16"

**MATERIAL:** CAST ALUMINUM  
**FINISH:** SELF-COLOR  
**WEIGHT:** 2.5 LBS / 1.13 Kg

**SUB FOR:** HYUNDAI 10013435 LH

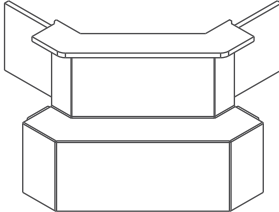
**MODEL 1303-2069**

**SUB FOR:** PINES CCB7177  
**MATERIAL:** CAST ALUMINUM  
**FINISH:** SELF-COLOR  
**WEIGHT:** 1.85 LBS / 0.84 Kg



**MODEL 1303-2070**

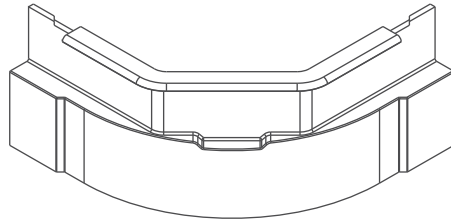
**SUB FOR:** PINES CC11100  
**MATERIAL:** CAST ALUMINUM  
**FINISH:** SELF-COLOR  
**WEIGHT:** 1.75 LBS / 0.79 Kg



# ALUMINUM CORNER CAPS

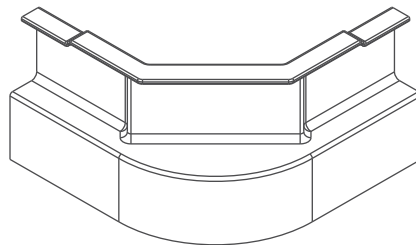
**MODEL 1303-2071**

**SUB FOR:** STRICK GA65D-003-01-00  
**MATERIAL:** CAST ALUMINUM  
**FINISH:** SELF-COLOR  
**WEIGHT:** 2.75 LBS / 1.24 Kg



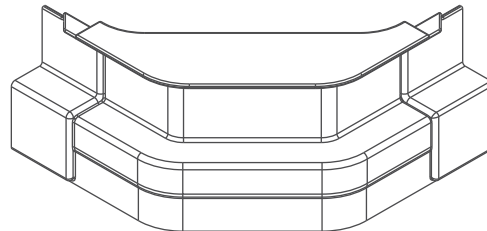
**MODEL 1303-2072**

**SUB FOR:** MONON A1042138  
**MATERIAL:** CAST ALUMINUM  
**FINISH:** SELF-COLOR  
**WEIGHT:** 2.40 LBS / 1.09 Kg



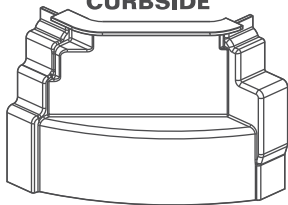
**MODEL 1303-2073**

**SUB FOR:** STOUGHTON 04-12835  
**MATERIAL:** CAST ALUMINUM  
**FINISH:** SELF-COLOR  
**WEIGHT:** 4.07 LBS / 1.85 Kg



**MODEL 1303-2074-CS**

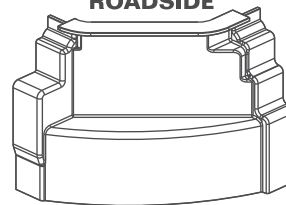
**CURBSIDE**



**SUB FOR:** UTILITY 1-1550-0-033-RH  
**FITS:** DUAL AXLE 2000D TRAILER

**MODEL 1303-2074-RS**

**ROADSIDE**



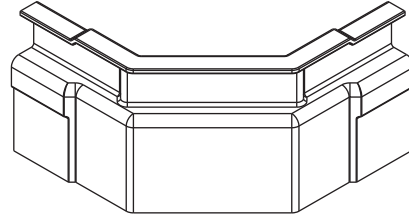
**SUB FOR:** UTILITY 1-1550-0-032-LH  
**FITS:** DUAL AXLE 2000D TRAILER

**MATERIAL:** CAST ALUMINUM  
**FINISH:** SELF-COLOR  
**WEIGHT:** 1.9 LBS / 0.86 Kg

# ALUMINUM CORNER CAPS

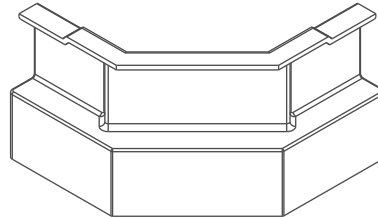
**MODEL 1303-2075**

**SUB FOR:** HYUNDAI 10014978  
**MATERIAL:** CAST ALUMINUM  
**FINISH:** SELF-COLOR  
**WEIGHT:** 2.6 LBS / 1.18 Kg



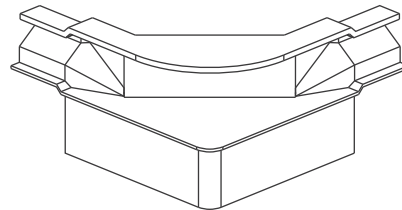
**MODEL 1303-2076**

**SUB FOR:** HYUNDAI 10015378  
**MATERIAL:** CAST ALUMINUM  
**FINISH:** SELF-COLOR  
**WEIGHT:** 2.78 LBS / 1.26 Kg



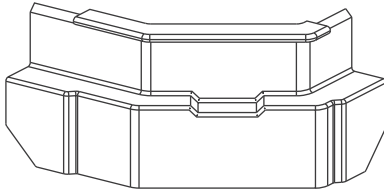
**MODEL 1303-2078**

**SUB FOR:** HYUNDAI 10016167  
**MATERIAL:** CAST ALUMINUM  
**FINISH:** SELF-COLOR  
**WEIGHT:** 2.98 LBS / 1.35 Kg



**MODEL 1303-2079-CS**

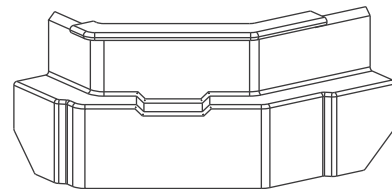
**CURBSIDE**



**SUB FOR:** STRICK AA65D-0023-02-00 (CS)

**MODEL 1303-2079-RS**

**ROADSIDE**



**SUB FOR:** STRICK AA65D-0024-02-00 (RS)

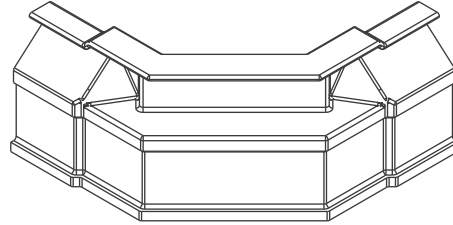
**MATERIAL:** CAST ALUMINUM  
**FINISH:** SELF-COLOR  
**WEIGHT:** 2.2 LBS / 1.0 Kg



# ALUMINUM CORNER CAPS

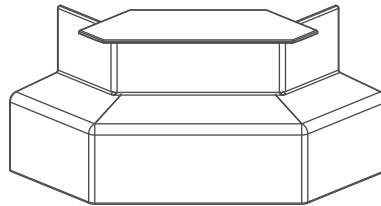
**MODEL 1303-2080**

**SUB FOR:** HYUNDAI 10015416  
**MATERIAL:** CAST ALUMINUM  
**FINISH:** SELF-COLOR  
**WEIGHT:** 3.15 LBS / 1.43 Kg



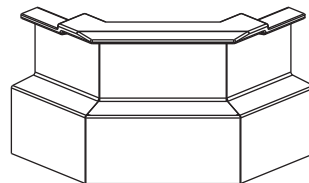
**MODEL 1303-2081**

**SUB FOR:** GREAT DANE 69102183  
**MATERIAL:** CAST ALUMINUM  
**FINISH:** SELF-COLOR  
**WEIGHT:** 1.98 LBS / 0.90 Kg



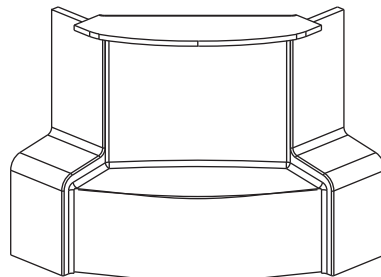
**MODEL 1303-2082**

**SUB FOR:** WABASH 04-30002  
**MATERIAL:** CAST ALUMINUM  
**FINISH:** SELF-COLOR  
**WEIGHT:** 2.00 LBS / 0.91 Kg



**MODEL 1303-2083**

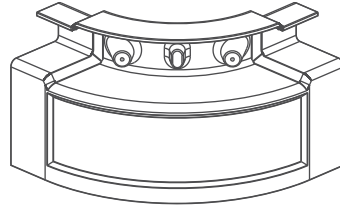
**SUB FOR:** TRAILMOBILE 7511-A1-05  
**MATERIAL:** CAST ALUMINUM  
**FINISH:** SELF-COLOR  
**WEIGHT:** 1.24 LBS / 0.56 Kg



# ALUMINUM CORNER CAPS

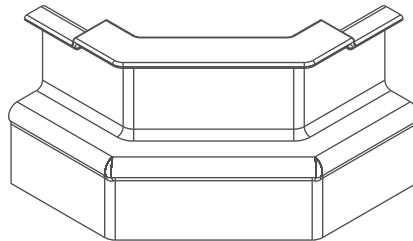
**MODEL 1303-2087**

**SUB FOR:** MANAC 502-1053  
**MATERIAL:** CAST ALUMINUM  
**FINISH:** SELF-COLOR  
**WEIGHT:** 3.6 LBS / 1.6 Kg



**MODEL 1303-8652**

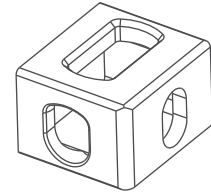
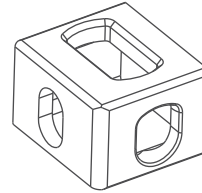
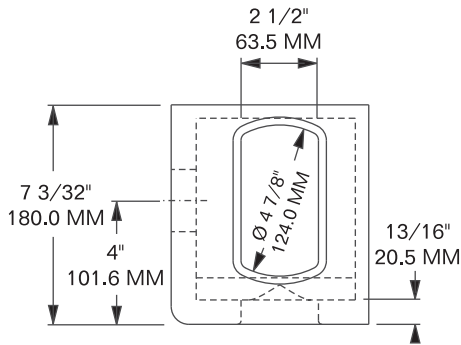
**SUB FOR:** WABASH 04300002  
**MATERIAL:** CAST ALUMINUM  
**FINISH:** SELF-COLOR  
**WEIGHT:** 1.95 LBS / 0.88 Kg



# ISO CORNER FITTINGS ALUMINUM

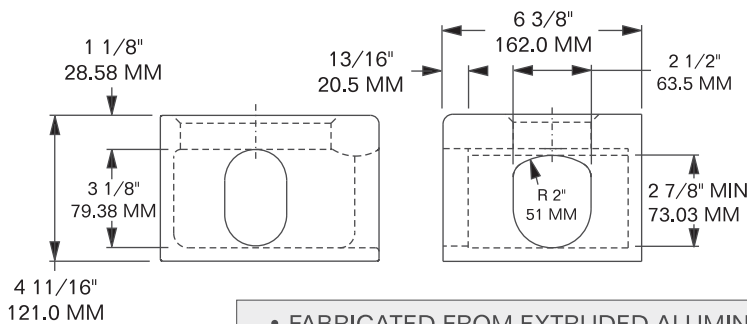
**MODEL 6201-1142-TL**

**MODEL 6201-1142-TR**



**MODEL 6201-1142-TL**  
TOP LEFT

**MODEL 6201-1142-TR**  
TOP RIGHT

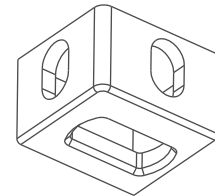
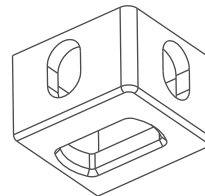
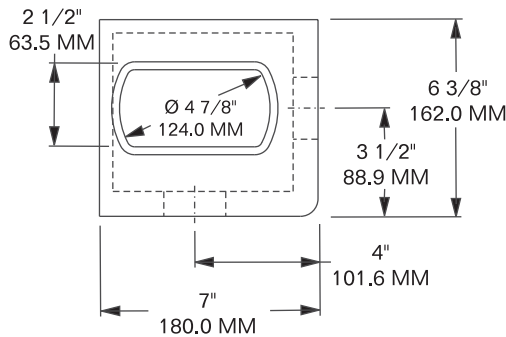


**MATERIAL:** ALUMINUM  
**FINISH:** AS MACHINED  
**WEIGHT:** 9.9 LBS / 4.5 Kg

- FABRICATED FROM EXTRUDED ALUMINUM CHANNELS.
- MACHINED ON ALL 6 SIDES FOR CLOSE TOLERANCE.
- LIGHT WEIGHT 9.9 LBS PER FITTING.
- MEETS ALL SIZE AND STRENGTH REQUIREMENTS OF ISO 1161.

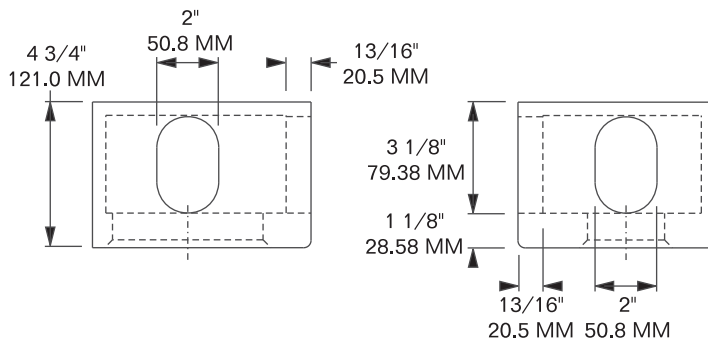
**MODEL 6201-1142-BL**

**MODEL 6201-1142-BR**



**MODEL 6201-1142-BL**  
BOTTOM LEFT

**MODEL 6201-1142-BR**  
BOTTOM RIGHT

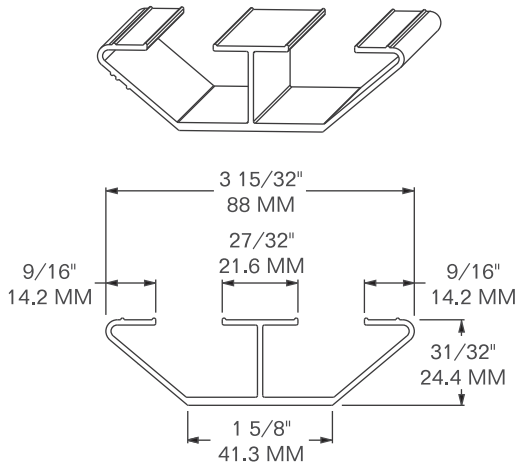


**MATERIAL:** ALUMINUM  
**FINISH:** AS MACHINED  
**WEIGHT:** 9.9 LBS / 4.5 Kg

# ALUMINUM ROOF BOWS

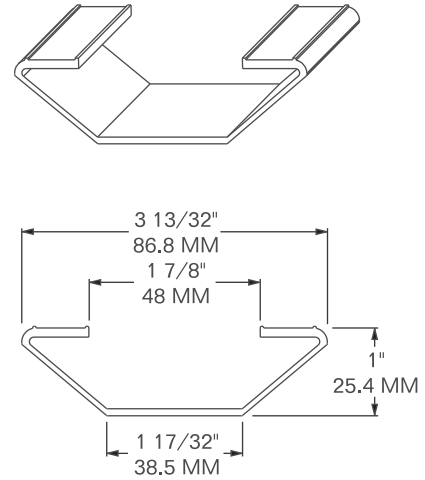
SEE ALSO 1212 FOR STEEL ROOF BOWS

**MODEL 1304-2726**



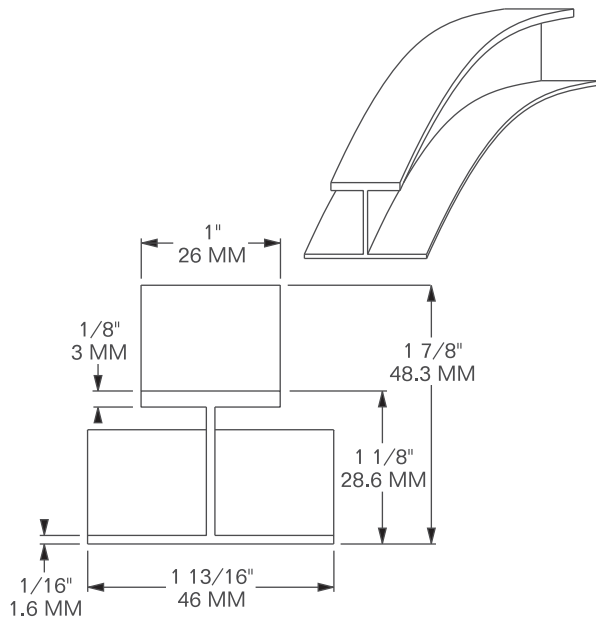
**SUB FOR:** HYUNDAI 10003468, GD 43000040, PINES AE 52312-9913  
**LENGTH:** 99  $\frac{1}{8}$ " / 2,518 MM  
**MATERIAL:** ALUMINUM  
**FINISH:** SELF-COLOR  
**WEIGHT:** 4.5 LBS / 2.04 Kg

**MODEL 1304-7653**



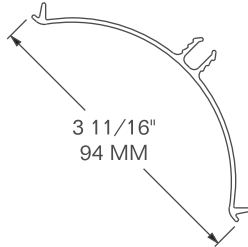
**FITS:** CIMC REEFER  
**LENGTH:** 92  $\frac{5}{16}$ " / 2,347 MM  
**MATERIAL:** ALUMINUM  
**FINISH:** SELF-COLOR  
**WEIGHT:** 3.7 LBS / 1.7 Kg

**MODEL 1304-8761**



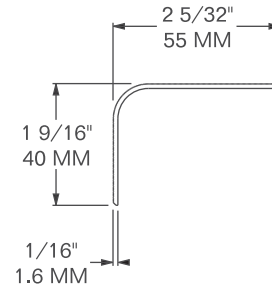
**LENGTH:** 98  $\frac{1}{4}$ " / 2,496 MM **MATERIAL:** ALUMINUM  
**FINISH:** SELF-COLOR **WEIGHT:** 2.7 LBS / 1.2 Kg

**MODEL 1304-7583**  
**OUTER COVE MOULD**



**SUB FOR:** SINGAMAS PF-005-09 **FITS:** CIMC  
**LENGTH:** 19' / 5,791 MM  
**MATERIAL:** ALUMINUM **FINISH:** SELF-COLOR  
**WEIGHT:** 6.84 LBS / 3.1 Kg

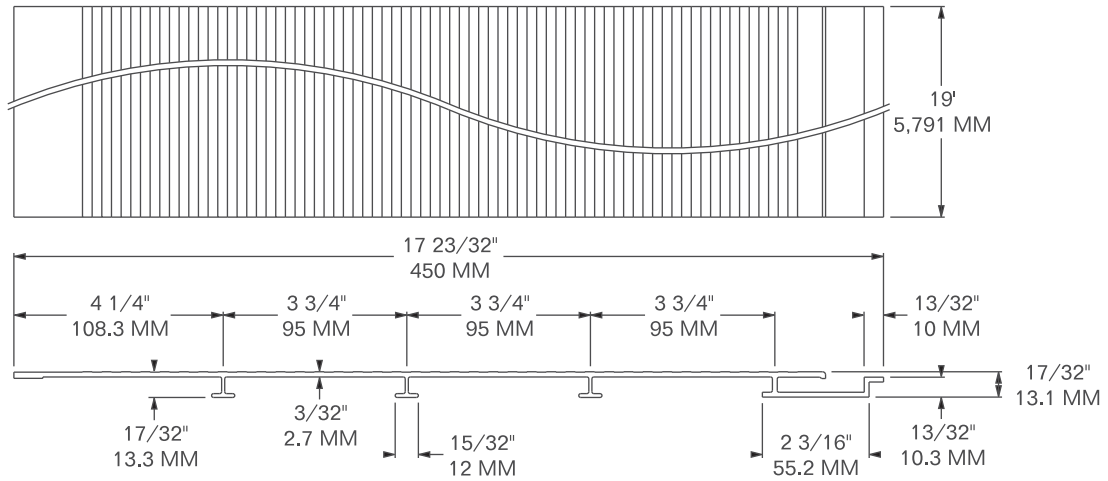
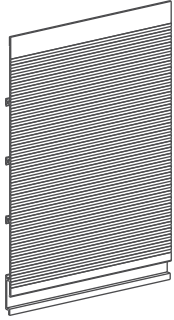
**MODEL 1304-7856**  
**OUTER COVE MOULD**



**FITS:** CIMC **LENGTH:** 19' 2 13/32" / 5,852 MM  
**MATERIAL:** ALUMINUM **FINISH:** SELF-COLOR  
**WEIGHT:** 4.9 LBS / 2.2 Kg

# ALUMINUM SCUFF PLATE FOR REEFER CONTAINER

**MODEL 1304-7707**



**FITS:** CIMC **MATERIAL:** ALUMINUM **FINISH:** SELF-COLOR **WEIGHT:** 56.0 LBS / 25.4 Kg

# FLAT ALUMINUM SHEETS / SIDE PANELS

## TYPE 3004-H291 ALUMINUM

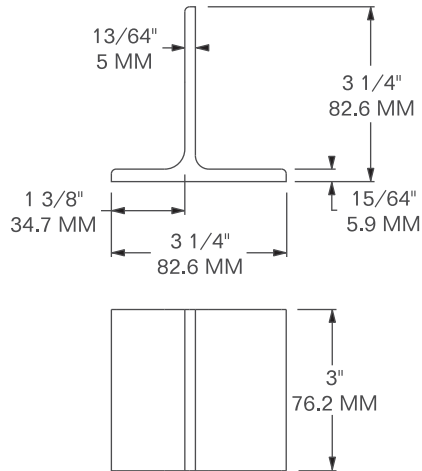
MODEL NO.	WIDTH x LENGTH	THICKNESS	FINISH COLORS OUTSIDE (MILL FINISH INSIDE)
1306-2305-040-PPW	49" x 97"	0.040" (1.016 MM) 18 GA.	PAINTED POLAR WHITE
1306-2305-050-PPW	49" x 97"	0.050" (1.270 MM) 16 GA.	PAINTED POLAR WHITE
1306-2305-054-PPW	49" x 97"	0.054" (1.372 MM) 15 GA.	PAINTED POLAR WHITE
1306-2305-063-PPW	49" x 97"	0.063" (1.600 MM) 14 GA.	PAINTED POLAR WHITE
1306-2305-040-TB	49" x 97"	0.040" (1.016 MM) 18 GA.	TRAILER BRITE
1306-2305-050-TB	49" x 97"	0.050" (1.270 MM) 16 GA.	TRAILER BRITE
1306-2305-054-TB	49" x 97"	0.054" (1.372 MM) 15 GA.	TRAILER BRITE
1306-2305-063-TB	49" x 97"	0.063" (1.600 MM) 14 GA.	TRAILER BRITE
1306-2305-040-PG	49" x 97"	0.040" (1.016 MM) 18 GA.	PAINTED GRAY
1306-2305-050-PG	49" x 97"	0.050" (1.270 MM) 16 GA.	PAINTED GRAY
1306-2305-054-PG	49" x 97"	0.054" (1.372 MM) 15 GA.	PAINTED GRAY
1306-2305-063-PG	49" x 97"	0.063" (1.600 MM) 14 GA.	PAINTED GRAY
1306-2305-040-PB	49" x 97"	0.040" (1.016 MM) 18 GA.	PAINTED BLUE
1306-2305-050-PB	49" x 97"	0.050" (1.270 MM) 16 GA.	PAINTED BLUE
1306-2305-054-PB	49" x 97"	0.054" (1.372 MM) 15 GA.	PAINTED BLUE
1306-2305-063-PB	49" x 97"	0.063" (1.600 MM) 14 GA.	PAINTED BLUE
1306-2306-040-PPW	49" x 110"	0.040" (1.016 MM) 18 GA.	PAINTED POLAR WHITE
1306-2306-050-PPW	49" x 110"	0.050" (1.270 MM) 16 GA.	PAINTED POLAR WHITE
1306-2306-054-PPW	49" x 110"	0.054" (1.372 MM) 15 GA.	PAINTED POLAR WHITE
1306-2306-063-PPW	49" x 110"	0.063" (1.600 MM) 14 GA.	PAINTED POLAR WHITE
1306-2306-040-TB	49" x 110"	0.040" (1.016 MM) 18 GA.	TRAILER BRITE
1306-2306-050-TB	49" x 110"	0.050" (1.270 MM) 16 GA.	TRAILER BRITE
1306-2306-054-TB	49" x 110"	0.054" (1.372 MM) 15 GA.	TRAILER BRITE
1306-2306-063-TB	49" x 110"	0.063" (1.600 MM) 14 GA.	TRAILER BRITE
1306-2306-040-PG	49" x 110"	0.040" (1.016 MM) 18 GA.	PAINTED GRAY
1306-2306-050-PG	49" x 110"	0.050" (1.270 MM) 16 GA.	PAINTED GRAY
1306-2306-054-PG	49" x 110"	0.054" (1.372 MM) 15 GA.	PAINTED GRAY
1306-2306-063-PG	49" x 110"	0.063" (1.600 MM) 14 GA.	PAINTED GRAY
1306-2306-040-PB	49" x 110"	0.040" (1.016 MM) 18 GA.	PAINTED BLUE
1306-2306-050-PB	49" x 110"	0.050" (1.270 MM) 16 GA.	PAINTED BLUE
1306-2306-054-PB	49" x 110"	0.054" (1.372 MM) 15 GA.	PAINTED BLUE
1306-2306-063-PB	49" x 110"	0.063" (1.600 MM) 14 GA.	PAINTED BLUE
1306-2307-040-PPW	49" x 120"	0.040" (1.016 MM) 18 GA.	PAINTED POLAR WHITE
1306-2307-050-PPW	49" x 120"	0.050" (1.270 MM) 16 GA.	PAINTED POLAR WHITE
1306-2307-054-PPW	49" x 120"	0.054" (1.372 MM) 15 GA.	PAINTED POLAR WHITE
1306-2307-063-PPW	49" x 120"	0.063" (1.600 MM) 14 GA.	PAINTED POLAR WHITE
1306-2307-040-TB	49" x 120"	0.040" (1.016 MM) 18 GA.	TRAILER BRITE
1306-2307-050-TB	49" x 120"	0.050" (1.270 MM) 16 GA.	TRAILER BRITE
1306-2307-054-TB	49" x 120"	0.054" (1.372 MM) 15 GA.	TRAILER BRITE
1306-2307-063-TB	49" x 120"	0.063" (1.600 MM) 14 GA.	TRAILER BRITE
1306-2307-040-PG	49" x 120"	0.040" (1.016 MM) 18 GA.	PAINTED GRAY
1306-2307-050-PG	49" x 120"	0.050" (1.270 MM) 16 GA.	PAINTED GRAY
1306-2307-054-PG	49" x 120"	0.054" (1.372 MM) 15 GA.	PAINTED GRAY
1306-2307-063-PG	49" x 120"	0.063" (1.600 MM) 14 GA.	PAINTED GRAY
1306-2307-040-PB	49" x 120"	0.040" (1.016 MM) 18 GA.	PAINTED BLUE
1306-2307-050-PB	49" x 120"	0.050" (1.270 MM) 16 GA.	PAINTED BLUE
1306-2307-054-PB	49" x 120"	0.054" (1.372 MM) 15 GA.	PAINTED BLUE
1306-2307-063-PB	49" x 120"	0.063" (1.600 MM) 14 GA.	PAINTED BLUE

OTHER SIZES AVAILABLE UPON REQUEST

# ALUMINUM CROSSMEMBER T-CLIPS

**MODEL 1310-2394-3**

**OFF-CENTER**

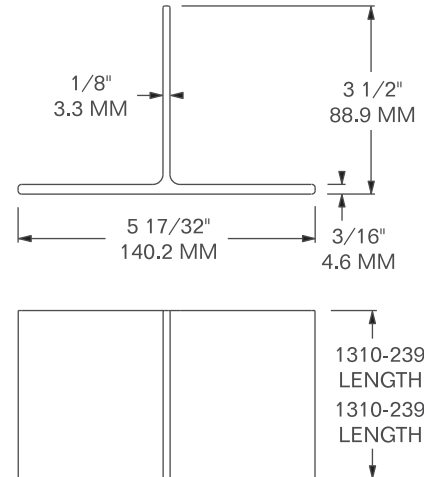


**MATERIAL:** ALUMINUM  
**FINISH:** SELF-COLOR

**1310-2394-2 WEIGHT:** 0.25 LBS / 115 Gms  
**1310-2394-3 WEIGHT:** 0.41 LBS / 184 Gms

**MODEL 1310-2395-3**

**MODEL 1310-2395-4**

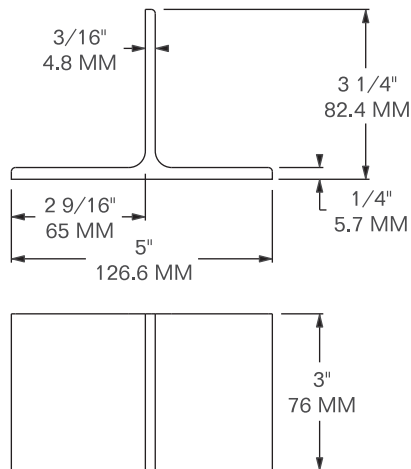


**MATERIAL:** ALUMINUM  
**FINISH:** SELF-COLOR

**1310-2395-3 WEIGHT:** 0.42 LBS / 0.19 Kg  
**1310-2395-4 WEIGHT:** 0.55 LBS / 0.25 Kg

**MODEL 1310-7579**

**OFF-CENTER**

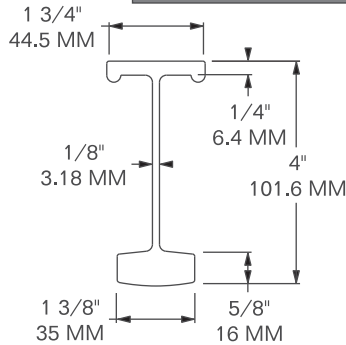


**MATERIAL:** ALUMINUM  
**FINISH:** SELF-COLOR  
**WEIGHT:** 0.51 LBS / 0.23 Kg



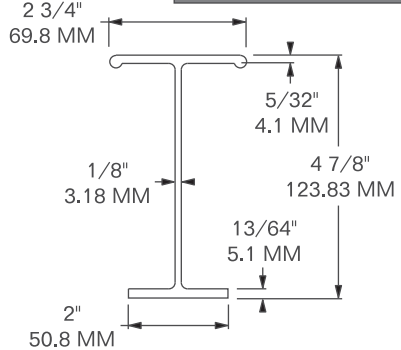
# ALUMINUM CROSSMEMBERS

**MODEL 1310-2347**



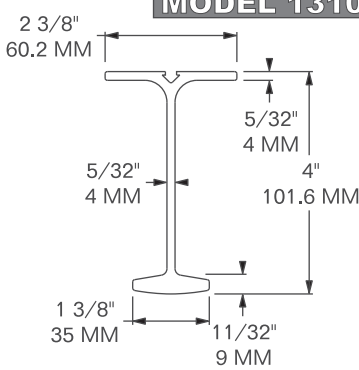
**FITS:** GRAAFF **LENGTH:** 95" / 2,413 MM  
**MATERIAL:** ALUMINUM **FINISH:** SELF-COLOR  
**WEIGHT:** 15.7 LBS / 7.13 Kg

**MODEL 1310-2627**



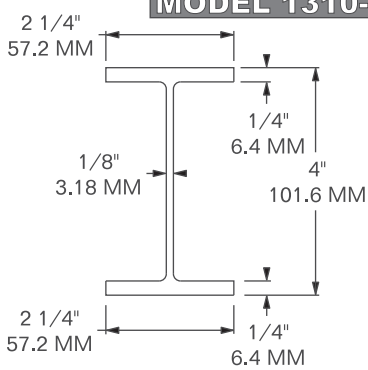
**LENGTH:** 95" / 2,413 MM  
**MATERIAL:** ALUMINUM **FINISH:** SELF-COLOR  
**WEIGHT:** 13.2 LBS / 6.0 Kg

**MODEL 1310-2707**



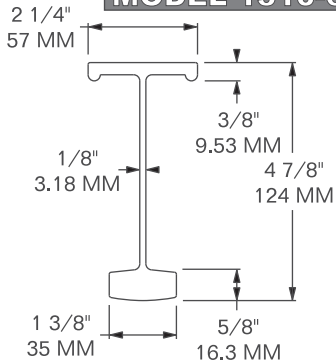
**SUB FOR:** CARLISLE 2875 **LENGTH:** 91 1/8" / 2,315 MM  
**MATERIAL:** ALUMINUM **FINISH:** SELF-COLOR  
**WEIGHT:** 11.08 LBS / 5.03 Kg

**MODEL 1310-2780**



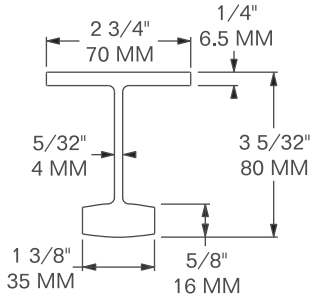
**LENGTH:** 102" / 2,591 MM  
**MATERIAL:** ALUMINUM **FINISH:** SELF-COLOR  
**WEIGHT:** 15.8 LBS / 7.14 Kg

**MODEL 1310-6369**



**LENGTH:** 92 1/2" / 2,350 MM  
**MATERIAL:** ALUMINUM **FINISH:** SELF-COLOR  
**WEIGHT:** 17.40 LBS / 7.90 Kg

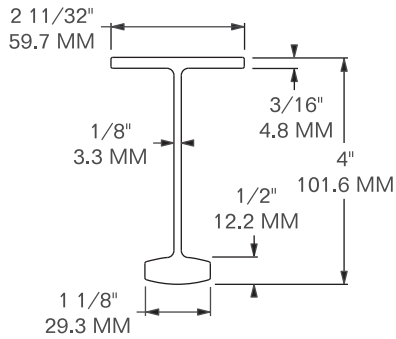
**MODEL 1310-7466**



**LENGTH:** 91 11/32" / 2,320 MM  
**MATERIAL:** ALUMINUM **FINISH:** SELF-COLOR  
**WEIGHT:** 16.76 LBS / 7.60 Kg

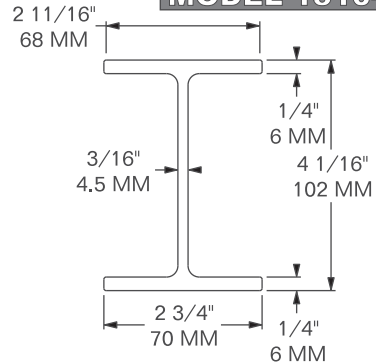
# ALUMINUM CROSSMEMBERS

**MODEL 1310-7574**



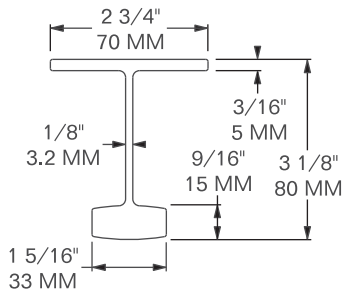
**LENGTH:** 92 1/2" / 2,350 MM  
**MATERIAL:** ALUMINUM **FINISH:** SELF-COLOR  
**WEIGHT:** 12.44 LBS / 5.64 Kg

**MODEL 1310-7670**



**LENGTH:** 102 1/4" / 2,597 MM  
**MATERIAL:** ALUMINUM **FINISH:** SELF-COLOR  
**WEIGHT:** 19.10 LBS / 8.70 Kg

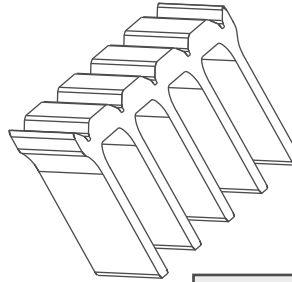
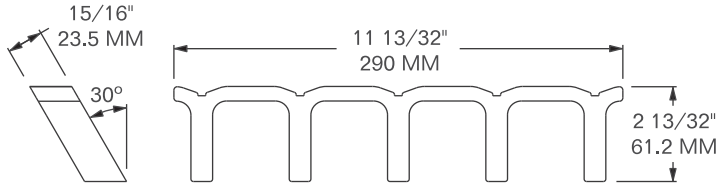
**MODEL 1310-7847**



**FITS:** CIMC **LENGTH:** 92 1/2" / 2,350 MM  
**MATERIAL:** ALUMINUM **FINISH:** SELF-COLOR  
**WEIGHT:** 14.3 LBS / 6.5 Kg

# ALUMINUM T-FLOOR PROTECTOR 5 TOOTH THRESHOLD CAP

**MODEL 1311-2310**



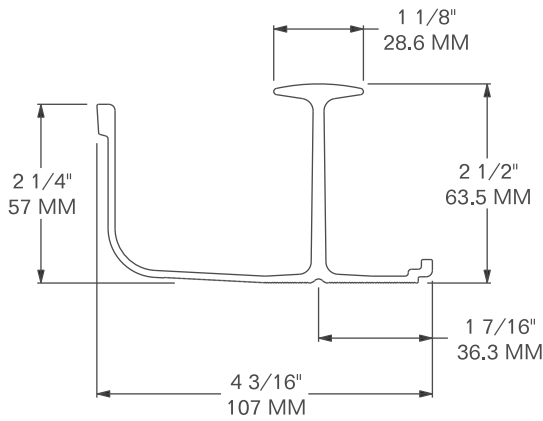
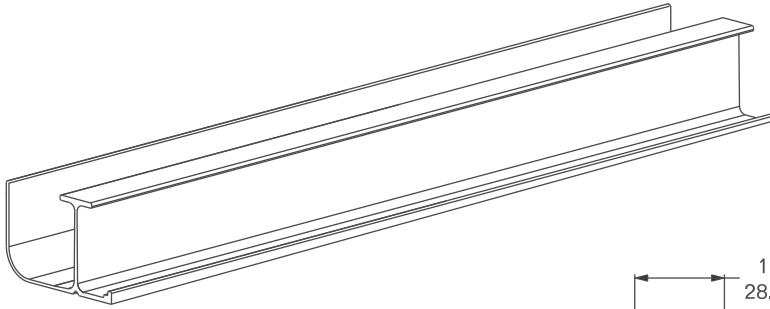
**SUB FOR:** CARLISLE C1746  
**MATERIAL:** ALUMINUM  
**FINISH:** MILL, SELF-COLOR  
**WEIGHT:** 1.01 LBS / 0.46 Kg

# ALUMINUM T-FLOOR

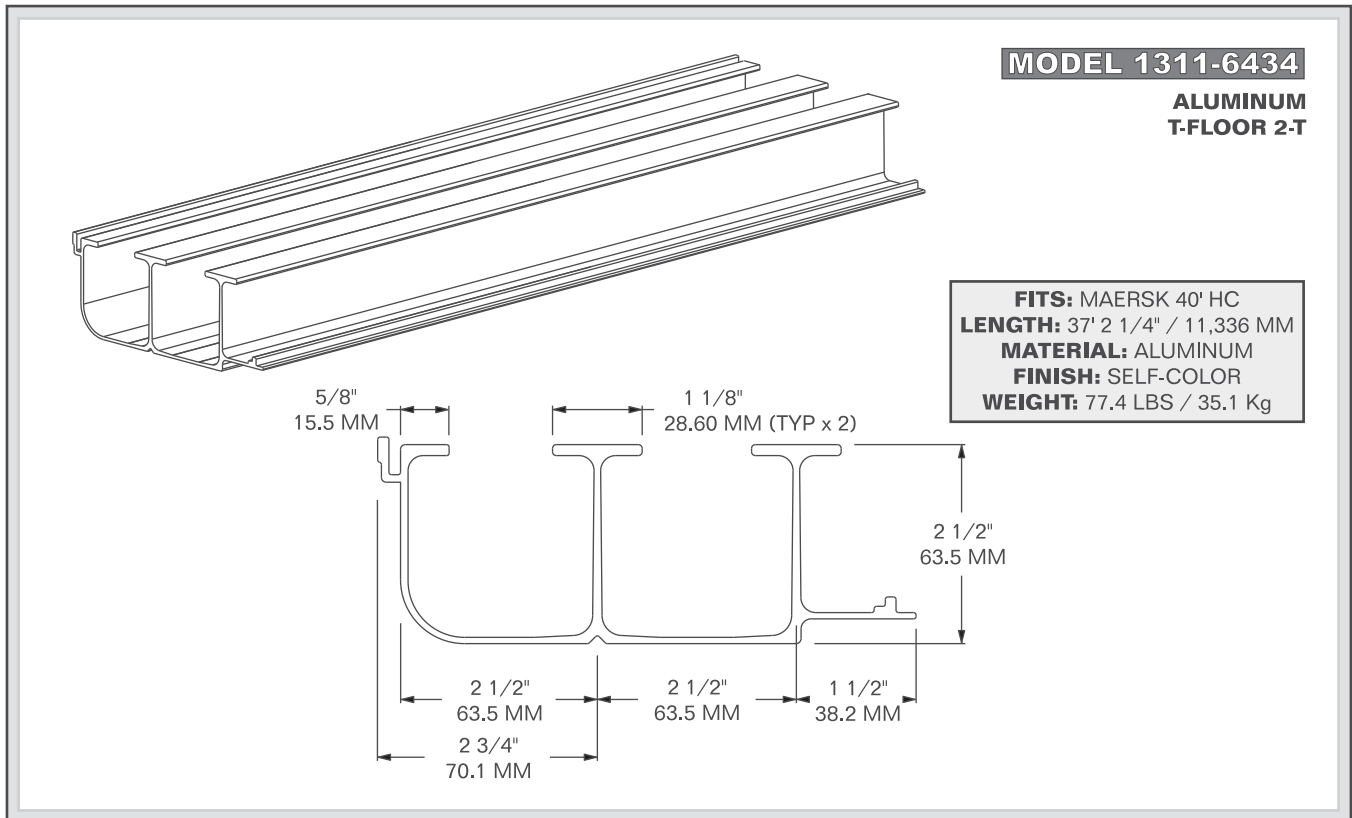
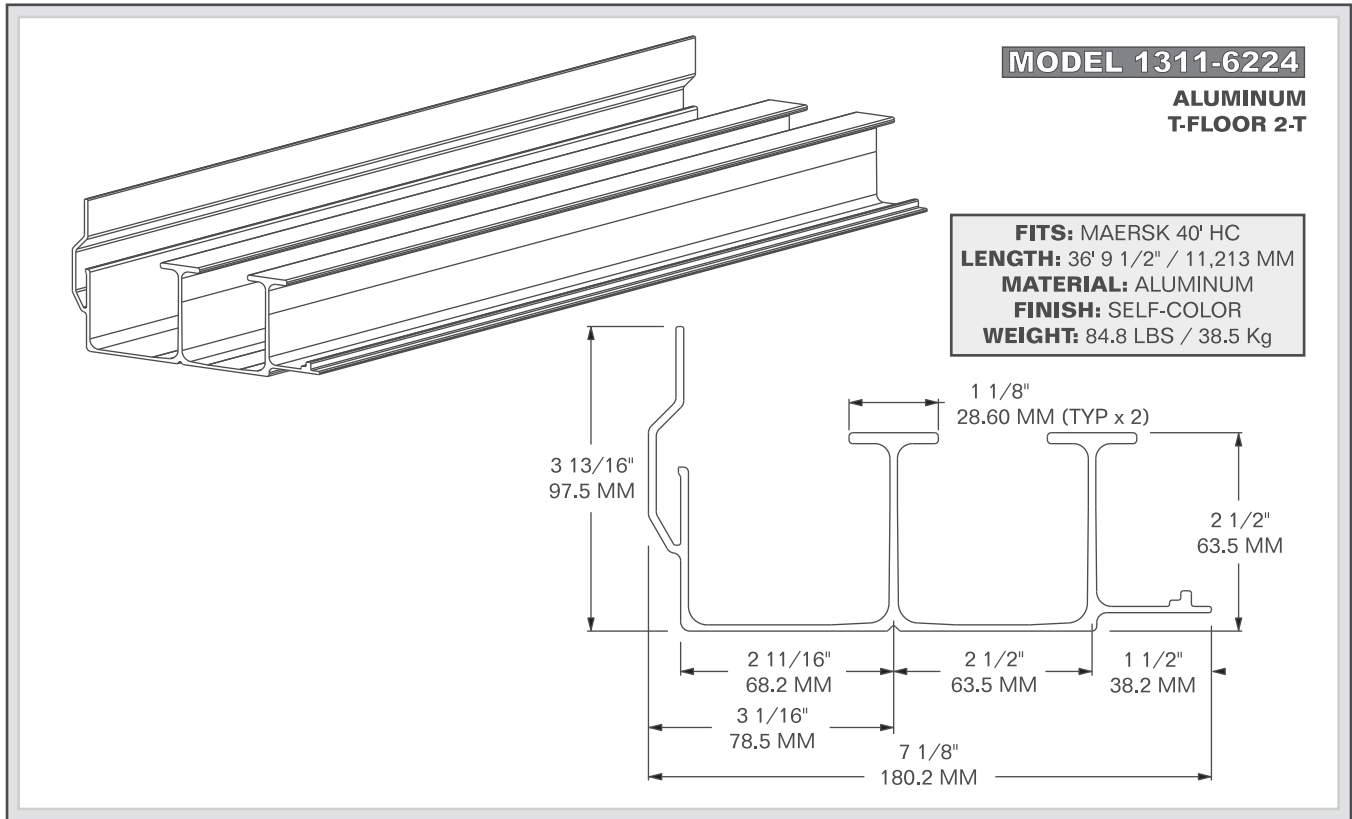
**MODEL 1311-6989**

**ALUMINUM  
T-FLOOR 1-T  
WITH FLASH**

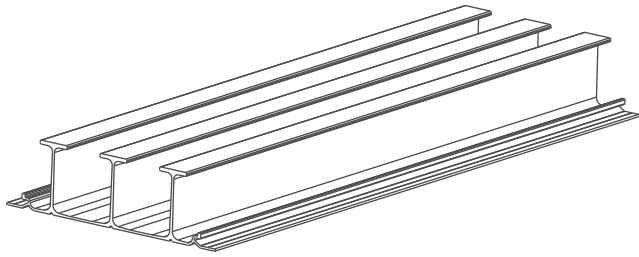
**FITS:** CIMC  
**LENGTH:** 78 3/4" / 2,000 MM  
**MATERIAL:** ALUMINUM  
**FINISH:** SELF-COLOR  
**WEIGHT:** 8.0 LBS / 3.6 Kg



# ALUMINUM T-FLOOR



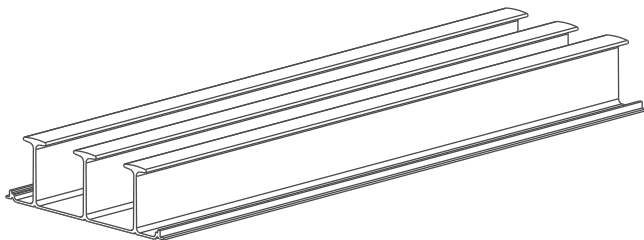
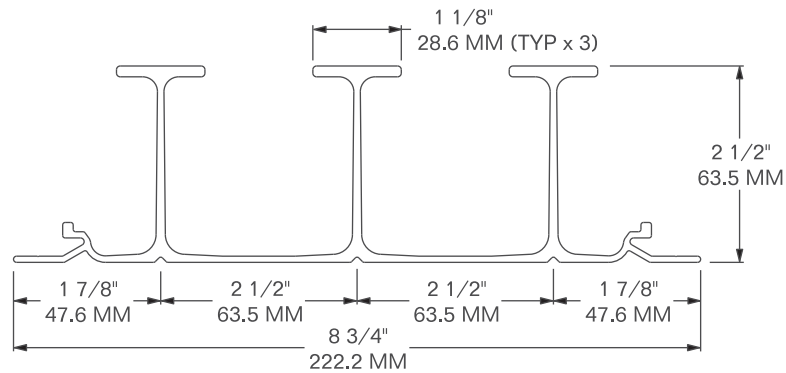
# ALUMINUM T-FLOOR



**MODEL 1311-6225**

**ALUMINUM  
T-FLOOR 3-T  
CENTER**

**FITS:** MAERSK 40' HC **LENGTH:** 37' 1 3/8" / 11,313 MM  
**MATERIAL:** ALUMINUM **FINISH:** SELF-COLOR  
**WEIGHT:** 91.7 LBS / 41.6 Kg

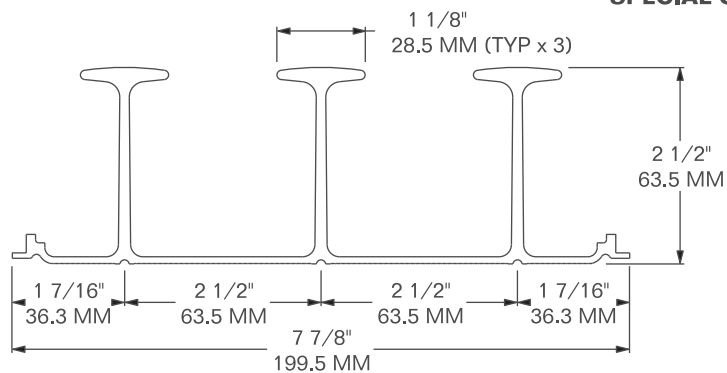


**MODEL 1311-6834**

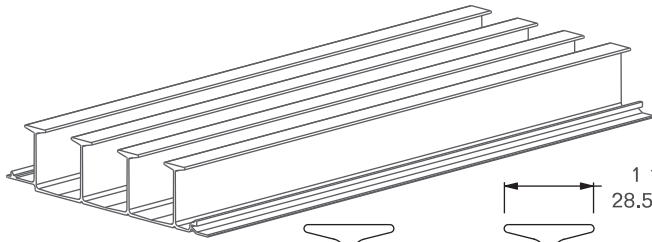
**ALUMINUM  
T-FLOOR 3-T  
CENTER**

**FITS:** CIMC **LENGTH:** 6' 6 3/4" / 2,000 MM  
**MATERIAL:** ALUMINUM **FINISH:** SELF-COLOR  
**WEIGHT:** 15.3 LBS / 6.9 Kg

**NON-INVENTORY ITEM  
SPECIAL ORDER ONLY**



# ALUMINUM T-FLOOR

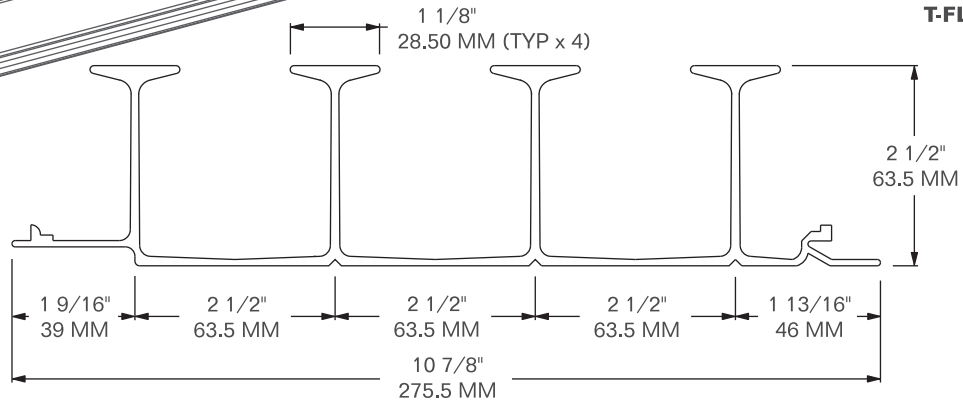


**MODEL 1311-2628**

**MODEL 1311-2628-17**

**MODEL 1311-2628-19**

**ALUMINUM  
T-FLOOR 4-T  
CENTER**



**1311-2628 LENGTH:** 38' / 11,582 MM **WEIGHT:** 124.8 LBS / 56.6 Kg

**1311-2628-17 LENGTH:** 17' / 5,182 MM **WEIGHT:** 56.0 LBS / 25.4 Kg

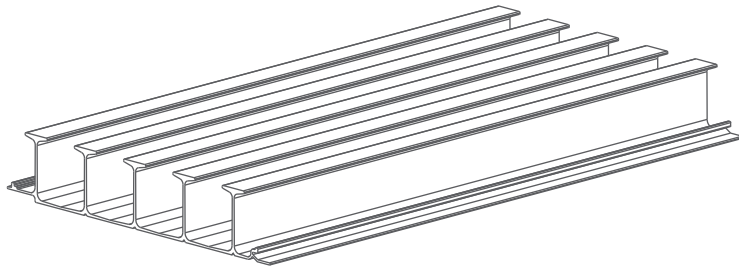
**1311-2628-19 LENGTH:** 19' / 5,791 MM **WEIGHT:** 62.6 LBS / 28.4 Kg

**MATERIAL:** ALUMINUM **FINISH:** SELF-COLOR

SUB FOR:	FITS:	LENGTH*:	WEIGHT:
MAERSK 7220370, 7220383, 7220386	CARLISLE, MCIQ MCIQ 40'	38' / 11,582 MM	124.8 LBS / 56.6 Kg
		37' 1 3/8" / 11,313 MM	116.3 LBS / 52.75 Kg

\*SUPPLIED AT 38'

# ALUMINUM T-FLOOR



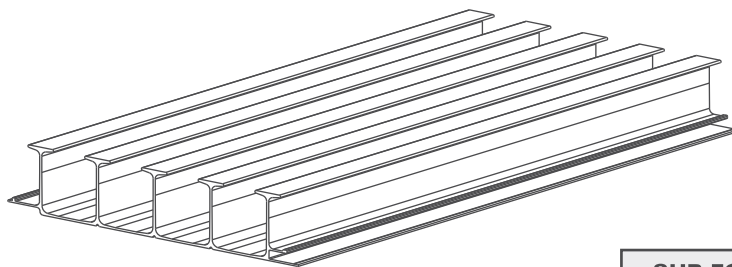
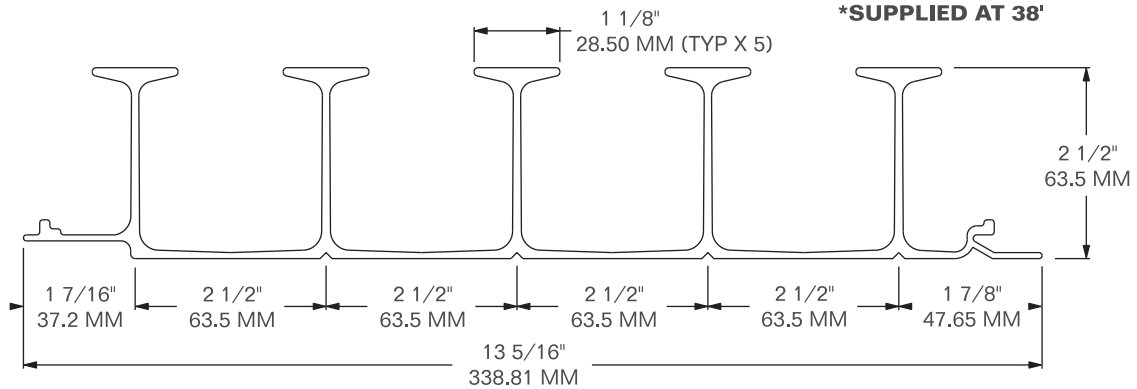
## MODEL 1311-2924

**ALUMINUM T-FLOOR 5-T**

**1311-2924**  
**LENGTH:** 38' / 11,582 MM  
**MATERIAL:** ALUMINUM  
**FINISH:** SELF-COLOR  
**WEIGHT:** 159.0 LBS / 72.1 Kg

SUB FOR:	FITS:	LENGTH*:	WEIGHT:
CARLISLE C1000	CARLISLE USA	38' / 11,582 MM	159.0 LBS / 72.1 Kg
MAERSK 7220371, 7220384	MAERSK, CHINA, 40'	37' 1/4" / 11,310 MM	155.0 LBS / 70.3 Kg
MAERSK 7220302	MAERSK, CHINA, 40'	37' / 11,278 MM	154.0 LBS / 69.9 Kg

**\*SUPPLIED AT 38'**

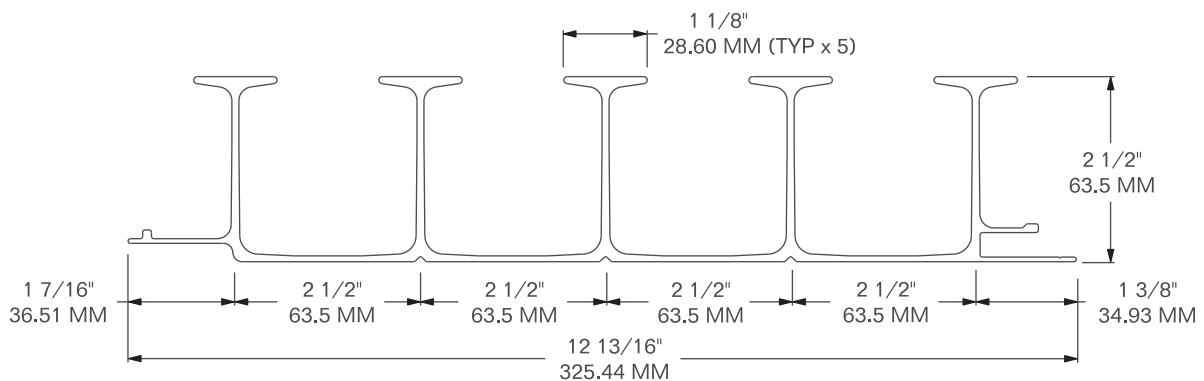


## MODEL 1311-6457

**ALUMINUM T-FLOOR 5-T**

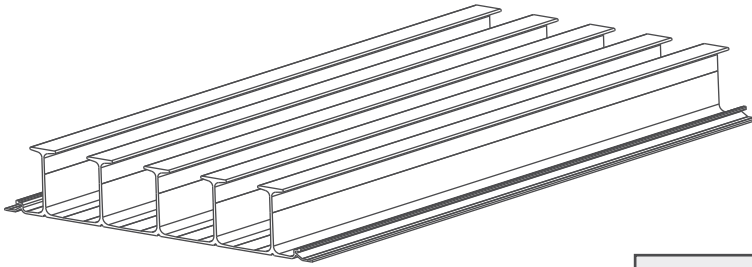
**NON-INVENTORY ITEM- SPECIAL ORDER ONLY.**

**SUB FOR:** MAERSK 7220022 **FITS:** MORS-40HS-271A  
**LENGTH:** 36' 8 7/8" / 11,198 MM **MATERIAL:** ALUMINUM  
**FINISH:** SELF-COLOR **WEIGHT:** 136.5 LBS / 61.9 Kg





# ALUMINUM T-FLOOR

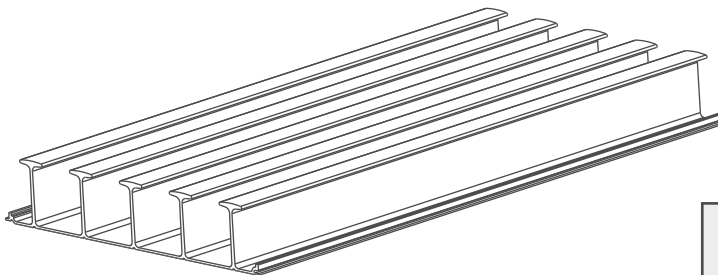
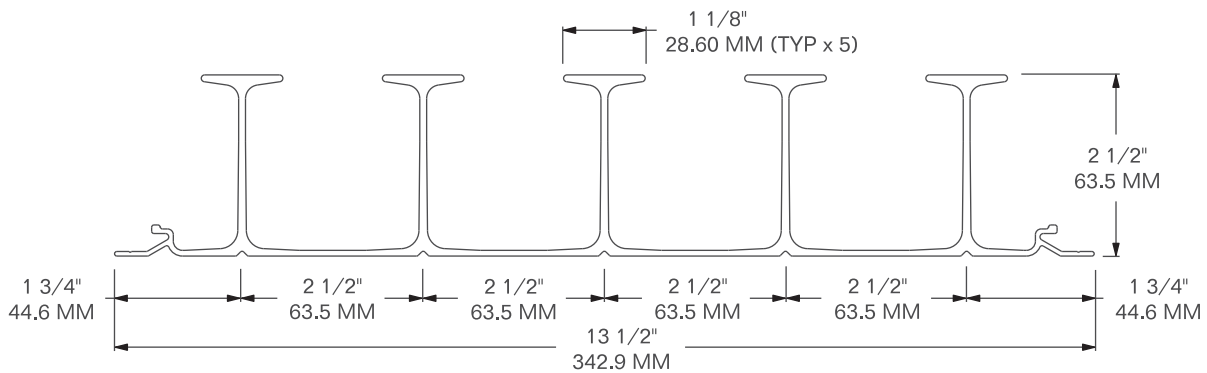


**MODEL 1311-6458**

**ALUMINUM  
T-FLOOR 5-T  
CENTER**

**NON-INVENTORY ITEM-  
SPECIAL ORDER ONLY.**

**SUB FOR:** MAERSK 7220420 **FITS:** MORS-40HS-271A  
**LENGTH:** 37' / 11,278 MM **MATERIAL:** ALUMINUM  
**FINISH:** SELF-COLOR **WEIGHT:** 142.1 LBS / 64.5 Kg

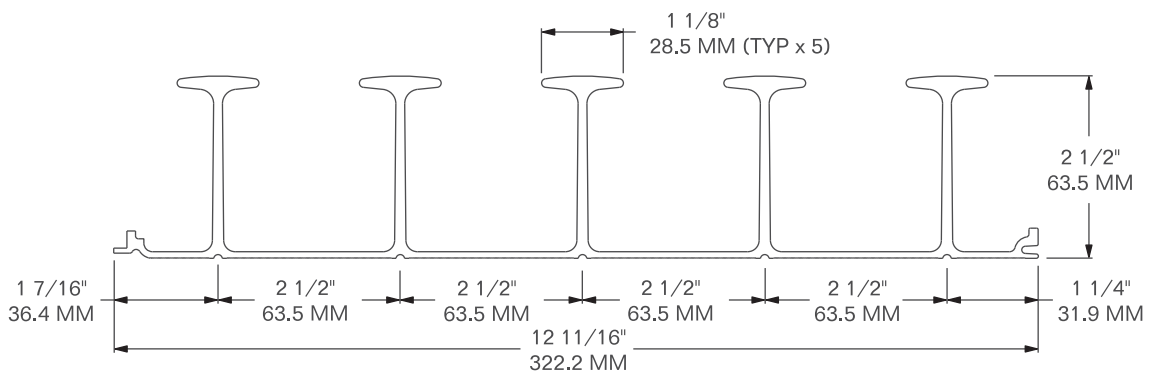


**MODEL 1311-6836**

**ALUMINUM  
T-FLOOR 5T  
INTERMEDIATE**

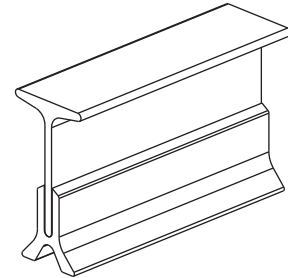
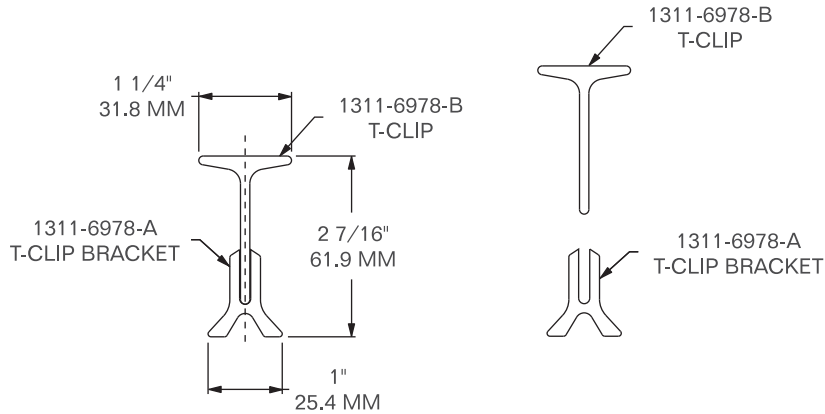
**FITS:** CIMC **LENGTH:** 6' 6 3/4" / 2,000 MM  
**MATERIAL:** ALUMINUM **FINISH:** SELF-COLOR  
**WEIGHT:** 24.8 LBS / 11.2 Kg

**NON-INVENTORY, SPECIAL ORDER ONLY**



# T-FLOOR REPAIR KIT

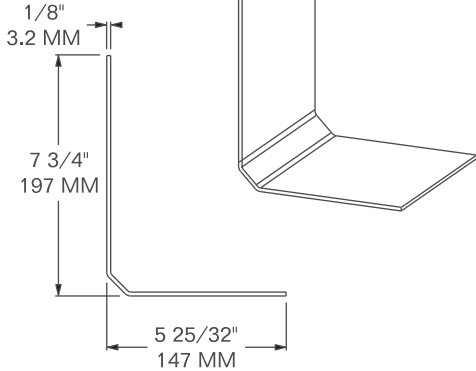
**MODEL 1311-6978-KIT**  
**T-FLOOR REPAIR KIT**



**LENGTH:** 12' / 3,658 MM  
**MATERIAL:** ALUMINUM  
**FINISH:** SELF-COLOR  
**1311-6978-A WEIGHT:** 5.54 LBS / 2.51 Kg  
**1311-6978-B WEIGHT:** 6.12 LBS / 2.78 Kg

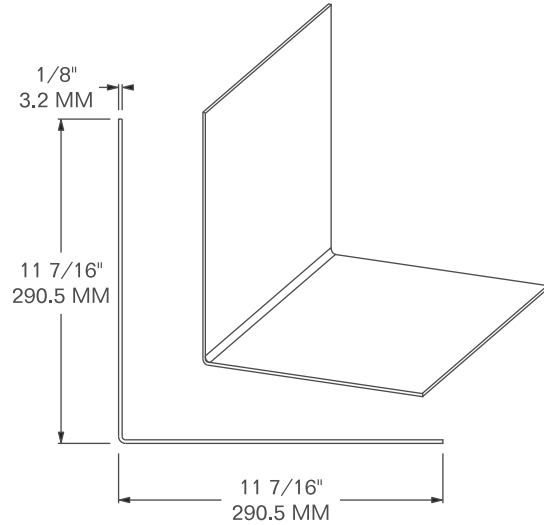
# BAFFLE PLATES

**MODEL 1311-6981**



**MATERIAL:** ALUMINUM  
**FINISH:** SELF-COLOR  
**LENGTH:** 89 1/4" / 2,267 MM  
**WEIGHT:** 14.28 LBS / 6.48 Kg

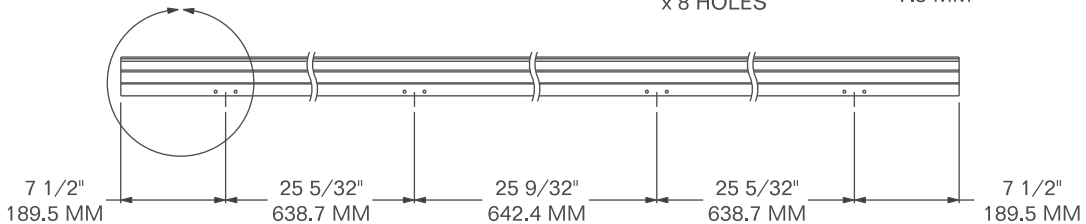
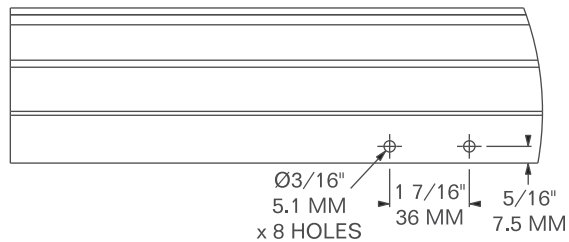
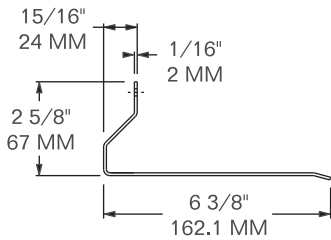
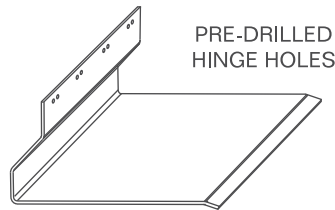
**MODEL 1311-6982**



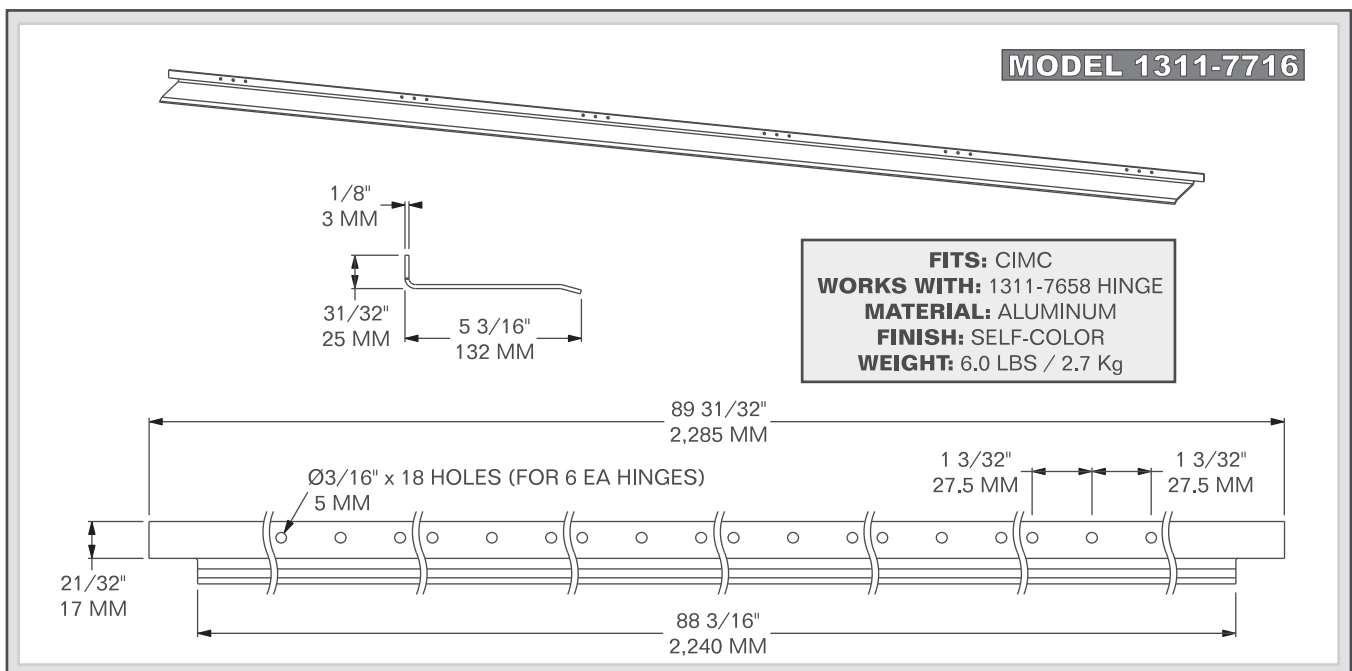
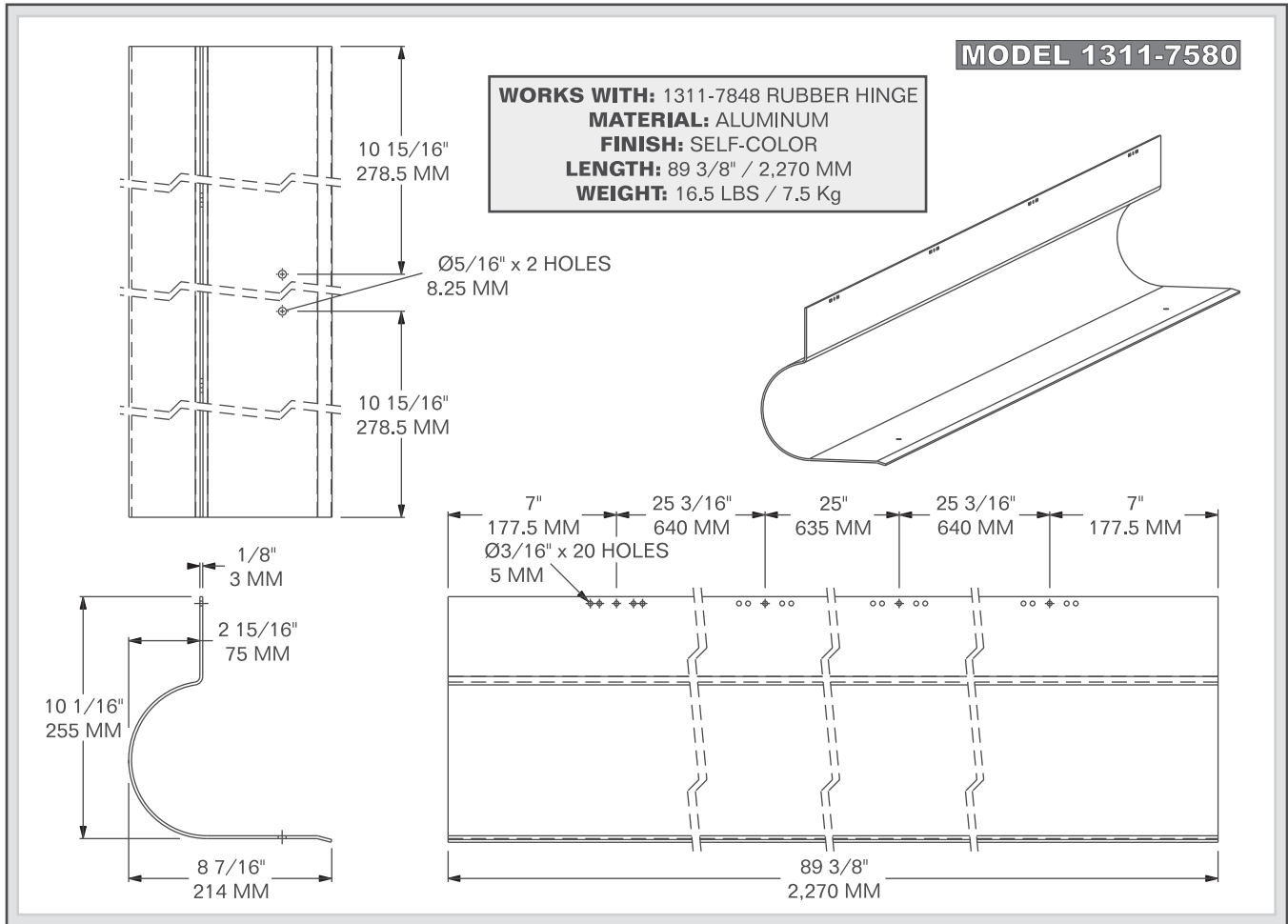
**MATERIAL:** ALUMINUM  
**FINISH:** SELF-COLOR  
**LENGTH:** 89 1/4" / 2,267 MM  
**WEIGHT:** 24.9 LBS / 11.29 Kg

**MODEL 1311-7554**

**MATERIAL:** ALUMINUM  
**FINISH:** SELF-COLOR  
**LENGTH:** 90 1/2" / 2,299 MM  
**WEIGHT:** 6.08 LBS / 2.76 Kg

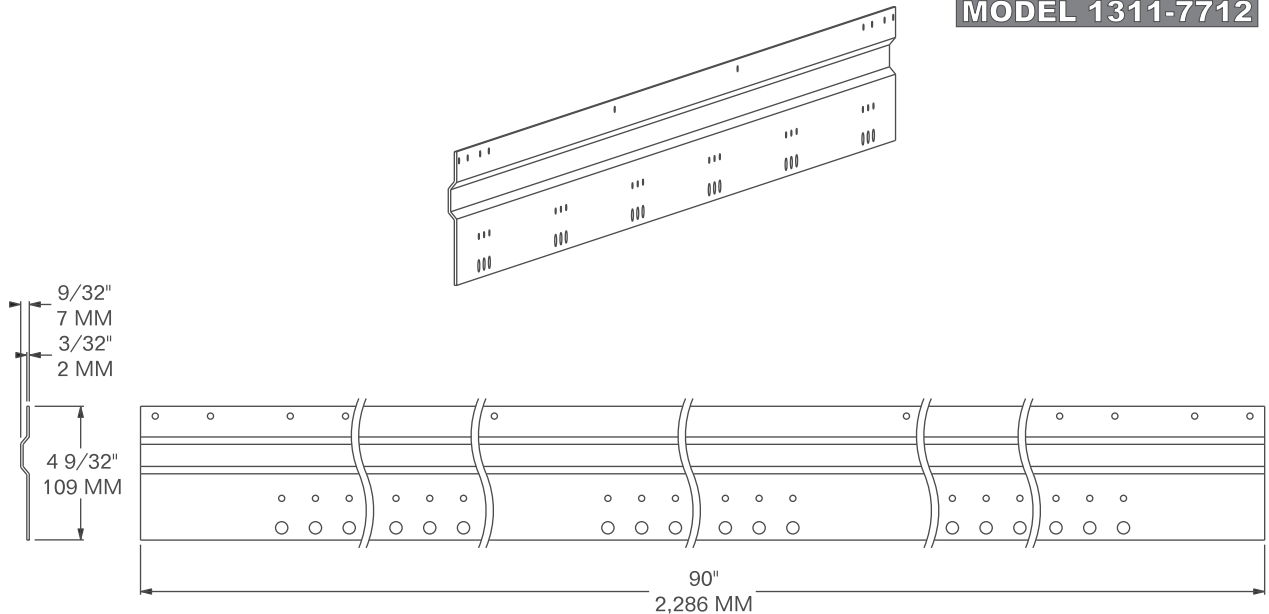


# BAFFLE PLATES



# BAFFLE CONNECT PLATE

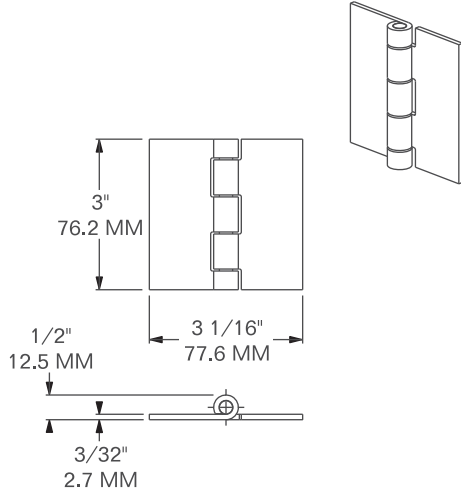
**MODEL 1311-7712**



**FITS:** CIMC  
**MATERIAL:** ALUMINUM  
**FINISH:** SELF-COLOR  
**WEIGHT:** 3.0 LBS / 1.4 Kg

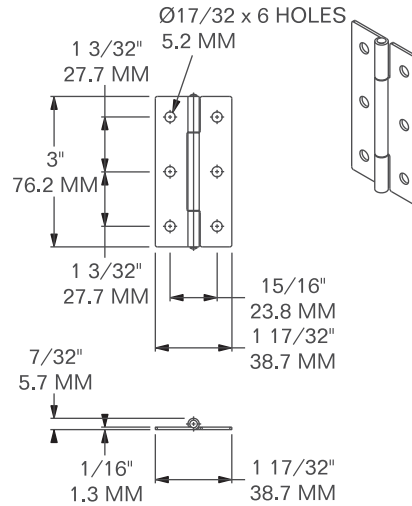
# BAFFLE PLATE HINGES

**MODEL 1311-7584**  
**HINGE ASSEMBLY**



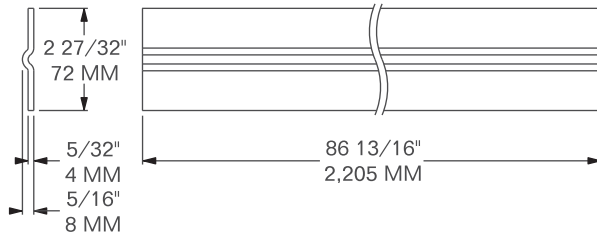
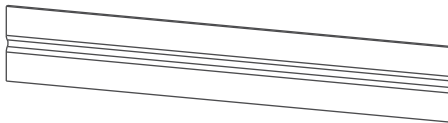
**MATERIAL:** ALUMINUM  
**FINISH:** SELF-COLOR  
**WEIGHT:** 0.10 LBS / 0.05 Kg

**MODEL 1311-7658**  
**HINGE ASSEMBLY**



**FITS:** CIMC  
**MATERIAL:** STAINLESS STEEL  
**FINISH:** SELF-COLOR  
**WEIGHT:** 0.08 LBS / 0.03 Kg

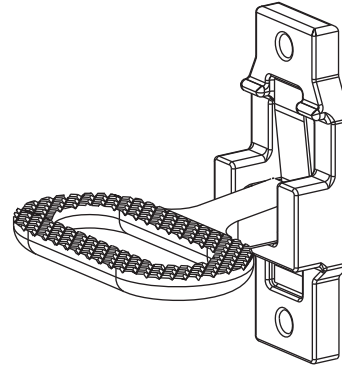
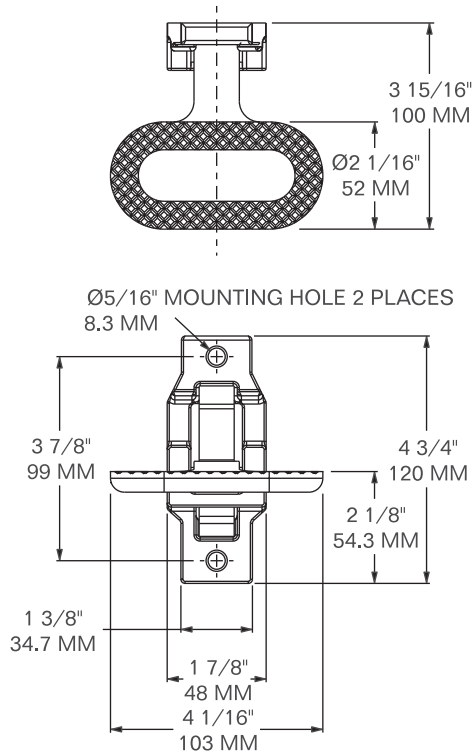
**MODEL 1311-7848**  
**HINGE FOR BAFFLE PLATE**



**FITS:** CIMC  
**WORKS WITH:** 1311-7580  
**MATERIAL:** EPDM RUBBER  
**FINISH:** BLACK  
**WEIGHT:** 1.90 LBS / 0.86 Kg

# FOLDABLE STEP

**MODEL 1312-2459**  
**SPRING LOADED POSITIONS**



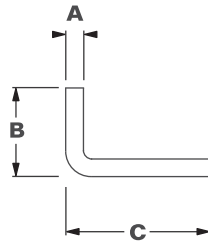
**MATERIAL:** CAST ALUMINUM  
**FINISH:** SELF-COLOR  
**WEIGHT:** 1.25 LBS / 0.57 Kg



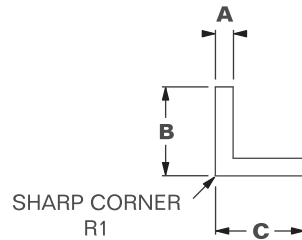
**NOTE: SOME SIZES  
ARE SPECIAL ORDER**

MODEL	A	B	LENGTH	WEIGHT
1313-2296-6	1/8" / 3.2 MM	2" / 50.8 MM	6' / 1,829 MM	1.74 LBS / 0.78 Kg
1313-2296	1/8" / 3.2 MM	2" / 50.8 MM	12' / 3,658 MM	3.5 LBS / 1.6 Kg
1313-2297	1/8" / 3.2 MM	2" / 50.8 MM	20' / 6,096 MM	5.8 LBS / 2.6 Kg
1313-2298	1/8" / 3.2 MM	3" / 76.2 MM	12' / 3,658 MM	5.3 LBS / 2.4 Kg
1313-2299	1/8" / 3.2 MM	3" / 76.2 MM	20' / 6,096 MM	8.8 LBS / 4.0 Kg
1313-2300	1/8" / 3.2 MM	4" / 101.6 MM	12' / 3,658 MM	7.1 LBS / 3.2 Kg
1313-2301	1/8" / 3.2 MM	4" / 101.6 MM	20' / 6,096 MM	11.8 LBS / 5.3 Kg
1313-6810	3/16" / 4.76 MM	1" / 25.4 MM	12' / 3,658 MM	2.6 LBS / 1.2 Kg
1313-6810-16	3/16" / 4.76 MM	1" / 25.4 MM	16' / 4,877 MM	4.0 LBS / 1.8 Kg
1313-6811	3/16" / 4.76 MM	1" / 25.4 MM	20' / 6,096 MM	4.4 LBS / 2.0 Kg
1313-6812	3/16" / 4.76 MM	2" / 50.8 MM	12' / 3,658 MM	5.3 LBS / 2.4 Kg
1313-6812-16	3/16" / 4.76 MM	2" / 50.8 MM	16' / 4,877 MM	7.1 LBS / 3.2 Kg
1313-6813	3/16" / 4.76 MM	2" / 50.8 MM	20' / 6,096 MM	8.8 LBS / 4.0 Kg
1313-6814	3/16" / 4.76 MM	3" / 76.2 MM	12' / 3,658 MM	8.0 LBS / 3.6 Kg
1313-6815	3/16" / 4.76 MM	3" / 76.2 MM	20' / 6,096 MM	13.2 LBS / 6.0 Kg
1313-6816	3/16" / 4.76 MM	4" / 101.6 MM	12' / 3,658 MM	10.6 LBS / 4.8 Kg
1313-6817	3/16" / 4.76 MM	4" / 101.6 MM	20' / 6,096 MM	17.6 LBS / 8.0 Kg
1313-6818	3/16" / 4.76 MM	5" / 127 MM	12' / 3,658 MM	13.2 LBS / 6.0 Kg
1313-6819	3/16" / 4.76 MM	5" / 127 MM	20' / 6,096 MM	22.0 LBS / 10.0 Kg
1313-2400	1/4" / 6.35 MM	1" / 25.4 MM	12' / 3,658 MM	3.5 LBS / 1.6 Kg
1313-2401	1/4" / 6.35 MM	1" / 25.4 MM	20' / 6,096 MM	5.8 LBS / 2.6 Kg
1313-2402	1/4" / 6.35 MM	2" / 50.8 MM	12' / 3,658 MM	7.1 LBS / 3.2 Kg
1313-2403	1/4" / 6.35 MM	2" / 50.8 MM	20' / 6,096 MM	11.8 LBS / 5.4 Kg
1313-2404	1/4" / 6.35 MM	3" / 76.2 MM	12' / 3,658 MM	10.6 LBS / 4.8 Kg
1313-2405	1/4" / 6.35 MM	3" / 76.2 MM	20' / 6,096 MM	17.6 LBS / 8.0 Kg
1313-2406	1/4" / 6.35 MM	4" / 101.6 MM	12' / 3,658 MM	14.0 LBS / 6.4 Kg
1313-2407	1/4" / 6.35 MM	4" / 101.6 MM	20' / 6,096 MM	23.4 LBS / 10.6 Kg
1313-2408	1/4" / 6.35 MM	5" / 127 MM	12' / 3,658 MM	17.5 LBS / 7.9 Kg
1313-2409	1/4" / 6.35 MM	5" / 127 MM	20' / 6,096 MM	29.2 LBS / 13.2 Kg
1313-2410	1/4" / 6.4 MM	6" / 152.4 MM	12' / 3,658 MM	21.1 LBS / 9.6 Kg
1313-2411	1/4" / 6.4 MM	6" / 152.4 MM	20' / 6,096 MM	35.2 LBS / 16.0 Kg
1313-2412	5/16" / 7.94 MM	2" / 50.8 MM	12' / 3,658 MM	8.8 LBS / 4.0 Kg
1313-2413	5/16" / 7.94 MM	2" / 50.8 MM	20' / 6,096 MM	14.6 LBS / 6.6 Kg
1313-2414	5/16" / 7.94 MM	3" / 76.2 MM	12' / 3,658 MM	13.2 LBS / 6.0 Kg
1313-2415	5/16" / 7.94 MM	3" / 76.2 MM	20' / 6,096 MM	22.0 LBS / 10.0 Kg
1313-2416	5/16" / 7.94 MM	3 1/4" / 82.55 MM	12' / 3,658 MM	14.3 LBS / 6.5 Kg
1313-2417	5/16" / 7.94 MM	3 1/4" / 82.55 MM	20' / 6,096 MM	23.8 LBS / 10.8 Kg
1313-2418	5/16" / 7.94 MM	3 3/4" / 95.25 MM	12' / 3,658 MM	16.4 LBS / 7.5 Kg
1313-2419	5/16" / 7.94 MM	3 3/4" / 95.25 MM	20' / 6,096 MM	27.4 LBS / 12.4 Kg
1313-2420	5/16" / 7.94 MM	4" / 101.6 MM	12' / 3,658 MM	17.5 LBS / 7.9 Kg
1313-2421	5/16" / 7.94 MM	5" / 127 MM	12' / 3,658 MM	22.0 LBS / 10.0 Kg
1313-6284	3/8" / 9.5 MM	1" / 25.4 MM	12' / 3,658 MM	5.3 LBS / 2.4 Kg
1313-6285	3/8" / 9.5 MM	1" / 25.4 MM	20' / 6,096 MM	8.8 LBS / 4.0 Kg
1313-6286	3/8" / 9.5 MM	2" / 50.8 MM	12' / 3,658 MM	10.6 LBS / 4.8 Kg
1313-6287	3/8" / 9.5 MM	2" / 50.8 MM	20' / 6,096 MM	17.6 LBS / 8.0 Kg
1313-6288	3/8" / 9.5 MM	2 1/2" / 63.5 MM	12' / 3,658 MM	13.2 LBS / 6.0 Kg
1313-6289	3/8" / 9.5 MM	2 1/2" / 63.5 MM	20' / 6,096 MM	22.0 LBS / 10.0 Kg
1313-6290	3/8" / 9.5 MM	3" / 76.2 MM	12' / 3,658 MM	15.8 LBS / 7.2 Kg
1313-6685	3/8" / 9.5 MM	3" / 76.2 MM	20' / 6,096 MM	26.4 LBS / 12.0 Kg
1313-6686	3/8" / 9.5 MM	4" / 101.6 MM	12' / 3,658 MM	21.45 LBS / 9.73 Kg
1313-6687	3/8" / 9.5 MM	4" / 101.6 MM	20' / 6,096 MM	35.2 LBS / 16.0 Kg
1313-6688	3/8" / 9.5 MM	5" / 127 MM	12' / 3,658 MM	26.3 LBS / 11.9 Kg
1313-6689	3/8" / 9.5 MM	5" / 127 MM	20' / 6,096 MM	43.8 LBS / 19.9 Kg
1313-6690	1/2" / 12.7 MM	1" / 25.4 MM	12' / 3,658 MM	7.1 LBS / 3.2 Kg
1313-6691	1/2" / 12.7 MM	1" / 25.4 MM	20' / 6,096 MM	11.8 LBS / 5.4 Kg
1313-6692	1/2" / 12.7 MM	2" / 50.8 MM	12' / 3,658 MM	14.0 LBS / 6.4 Kg
1313-6693	1/2" / 12.7 MM	2" / 50.8 MM	20' / 6,096 MM	23.4 LBS / 10.6 Kg
1313-6694	1/2" / 12.7 MM	3" / 76.2 MM	12' / 3,658 MM	21.1 LBS / 9.6 Kg
1313-6695	1/2" / 12.7 MM	3" / 76.2 MM	20' / 6,096 MM	35.2 LBS / 16.0 Kg
1313-6696	1/2" / 12.7 MM	4" / 101.6 MM	12' / 3,658 MM	28.3 LBS / 12.8 Kg
1313-6697	1/2" / 12.7 MM	4" / 101.6 MM	20' / 6,096 MM	46.8 LBS / 21.2 Kg
1313-6698	1/2" / 12.7 MM	5" / 127 MM	12' / 3,658 MM	35.2 LBS / 16.0 Kg

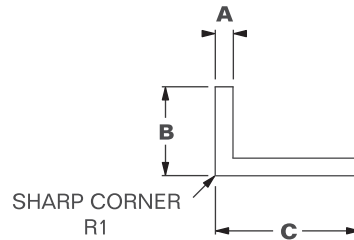




MODEL	A	B	C	LENGTH	WEIGHT
1313-2261	1/8"	3 1/4"	5 1/2"	7' 6"	9.3 LBS / 4.2 Kg
1313-2293	1/8"	2"	3"	10'	7.0 LBS / 3.2 Kg
1313-2311	3/16"	1"	2"	12'	7.6 LBS / 3.4 Kg



MODEL	A	B	C	LENGTH	WEIGHT
1313-6702	1/8"	1"	1"	12'	3.36 LBS / 1.52 Kg
1313-6703	1/8"	2"	2"	12'	6.97 LBS / 3.16 Kg
1313-6704	1/8"	3"	3"	12'	10.57 LBS / 4.79 Kg
1313-6705	3/16"	1"	1"	12'	4.91 LBS / 2.22 Kg
1313-6706	3/16"	2"	2"	12'	10.31 LBS / 4.67 Kg
1313-6707	3/16"	3"	3"	12'	15.65 LBS / 7.09 Kg
1313-6708	1/4"	1"	1"	12'	6.31 LBS / 2.86 Kg
1313-6709	1/4"	2"	2"	12'	13.55 LBS / 6.14 Kg
1313-6718	1/4"	3"	3"	12'	20.69 LBS / 9.38 Kg
1313-6719	1/4"	4"	4"	12'	27.91 LBS / 12.65 Kg

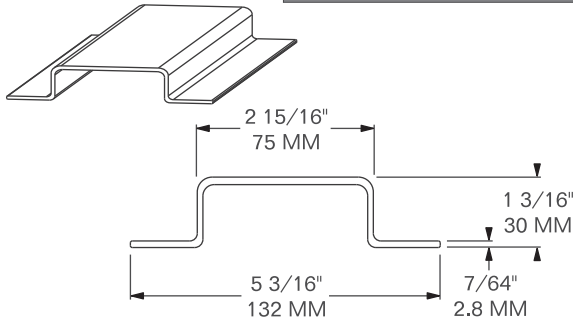


MODEL	A	B	C	LENGTH	WEIGHT
1313-6720	1/8"	1"	2"	12'	5.17 LBS / 2.34 Kg
1313-6721	1/8"	1"	3"	12'	6.97 LBS / 3.16 Kg
1313-6722	1/8"	1"	4"	12'	8.77 LBS / 3.97 Kg
1313-6723	1/8"	2"	3"	12'	8.77 LBS / 3.97 Kg
1313-6724	1/8"	2"	4"	12'	10.57 LBS / 4.79 Kg
1313-6725	1/8"	2"	5"	12'	12.37 LBS / 5.61 Kg
1313-6726	3/16"	1"	2"	12'	7.57 LBS / 3.43 Kg
1313-6727	3/16"	1"	3"	12'	10.31 LBS / 4.67 Kg
1313-6728	3/16"	2"	3"	12'	12.62 LBS / 5.72 Kg
1313-6729	1/4"	2"	3"	12'	17.54 LBS / 7.95 Kg
1313-6743	1/4"	2"	4"	12'	20.71 LBS / 9.39 Kg
1313-6744	1/4"	2"	5"	12'	24.31 LBS / 11.02 Kg
1313-6745	1/4"	3"	4"	12'	24.16 LBS / 10.95 Kg
1313-6746	1/4"	3"	5"	12'	27.78 LBS / 12.60 Kg
1313-6747	1/4"	3"	6"	12'	31.49 LBS / 14.28 Kg

**MATERIAL:** EXTRUDED ALUMINUM ALLOY 6053-T6 OR 6061-T6

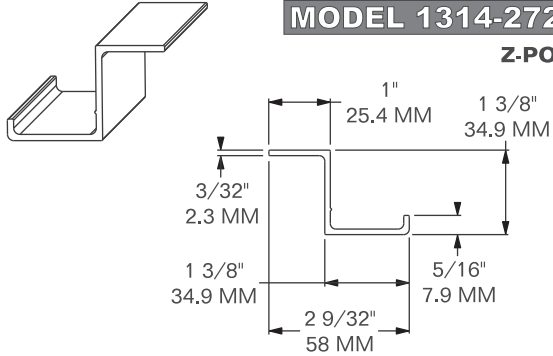
# ALUMINUM SIDE POSTS

**MODEL 1314-2706**



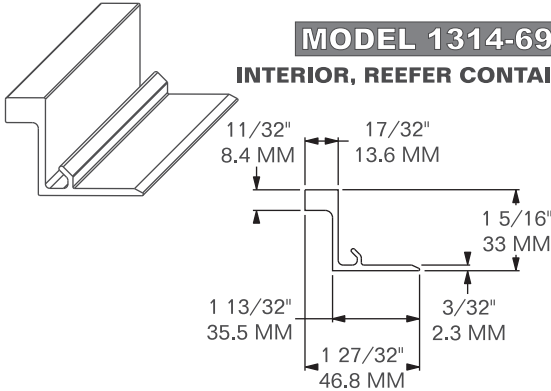
**SUB FOR:** HYUNDAI 10004925 **LENGTH:** 107 1/2"  
**MATERIAL:** ALUMINUM **FINISH:** SELF-COLOR  
**WEIGHT:** 8.1 LBS / 3.67 Kg

**MODEL 1314-2728**  
**Z-POST**



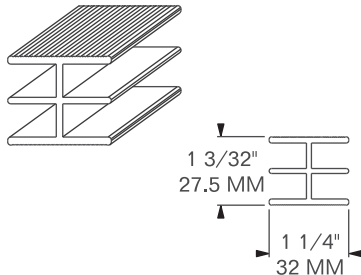
**LENGTH:** 108 1/8" **MATERIAL:** ALUMINUM  
**FINISH:** SELF-COLOR **WEIGHT:** 3.6 LBS / 1.65 Kg

**MODEL 1314-6979**  
**INTERIOR, REEFER CONTAINER**



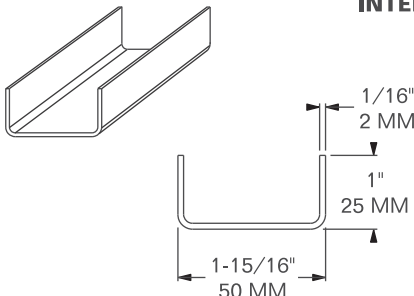
**LENGTH:** 102 3/8" **MATERIAL:** ALUMINUM  
**FINISH:** SELF-COLOR **WEIGHT:** 4.03 LBS / 1.83 Kg

**MODEL 1314-7718**  
**INTERIOR WALL, REEFER CONTAINER**



**FITS:** CIMC REEFER **LENGTH:** 89 5/32"  
**MATERIAL:** ALUMINUM **FINISH:** SELF-COLOR  
**WEIGHT:** 3.25 LBS / 1.47 Kg

**MODEL 1314-7719**  
**INTERIOR WALL**

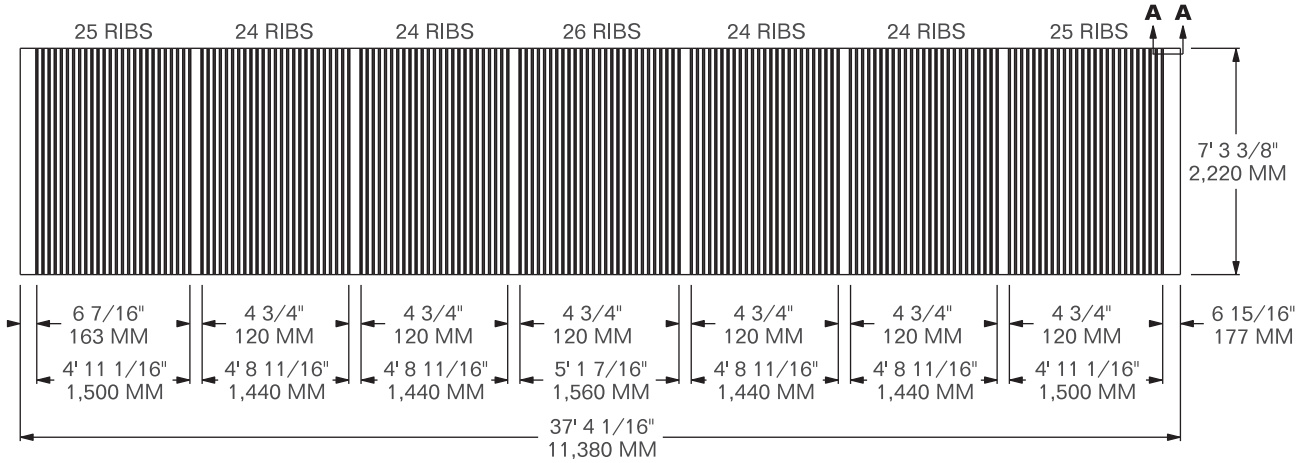
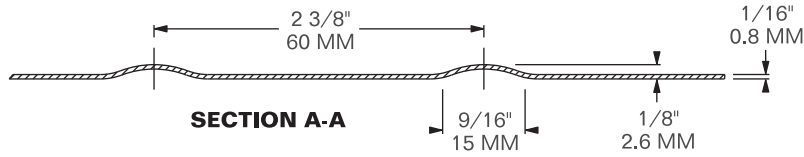


**FITS:** CIMC REEFER **LENGTH:** 70 7/8" / 1,800 MM  
**MATERIAL:** ALUMINUM **FINISH:** SELF-COLOR  
**WEIGHT:** 1.95 LBS / 0.88 Kg



# ALUMINUM ROOF COILS

**MODEL 1315-6232**  
**INTERIOR ROOF LINING**

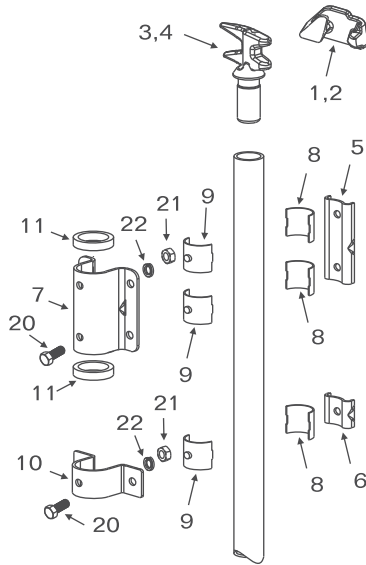


**SUB FOR:** MAERSK 7172103    **LENGTH:** 37' 4 1/16" / 11,380 MM  
**MATERIAL:** ALUMINUM    **FINISH:** WHITE    **WEIGHT:** 121.00 LBS / 54.88 Kg

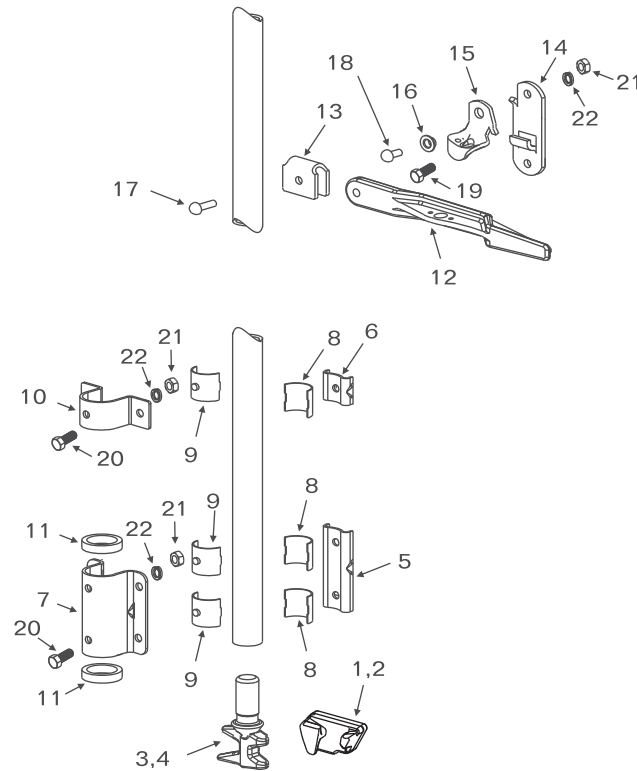
# DOOR HARDWARE

## DOOR LOCK COMPONENTS

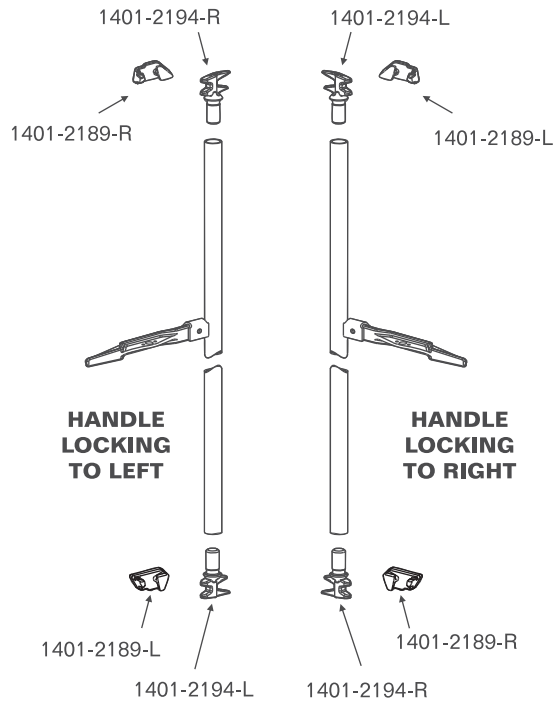
### BOLT-ON BLOXWICH TYPE



ITEM	BUFFERS MODEL NO.	BLOXWICH MODEL NO.	DESCRIPTION
1	1401-2189-L	10365	KEEPER LH
2	1401-2189-R	10364	KEEPER RH
3	1401-2194-L	10081	CAM
4	1401-2194-R	10080	CAM
5	1401-2174	10159-1	BEARING BRACKET BACKPLATE
6	1401-2176	10160	BEARING BRACKET BACKPLATE
7	1401-2173	11028	BEARING BRACKET LONG
8	1401-2197-F	10556	SPLIT BUSHING FEMALE, INNER
9	1401-2197-M	10557	SPLIT BUSHING MALE, OUTER
10	1401-2175	10163	BEARING BRACKET SHORT
11	1401-2172	11945	ANTI RACK RING
12	1401-2180	22182	HANDLE, FORGED
13	1401-2177	22084	HANDLE HUB MOUNT BRACKET
14	1401-2607	22183F	RETAINER PLATE
15	1401-2609	22192	RETAINER CATCH
16	1401-2179	22185	BUSHING
17	1401-2196	10038-1	RIVET FOR HANDLE HUB
18	1401-2634	10038-2	RIVET FOR RETAINER CATCH
19	1401-4705		HEX BOLT M10-1.50 x 35MM - H.D. GALVANIZED
20	1401-4706		HEX BOLT M10-1.50 x 25MM - H.D. GALVANIZED
21	1401-4707		HEX NUT M10-1.50 - H.D. GALVANIZED WITH NYLON INSERT
22	1401-4708		LOCK WASHER, 10MM - H.D. GALVANIZED



#### CAM & KEEPER LOCATION DETAIL



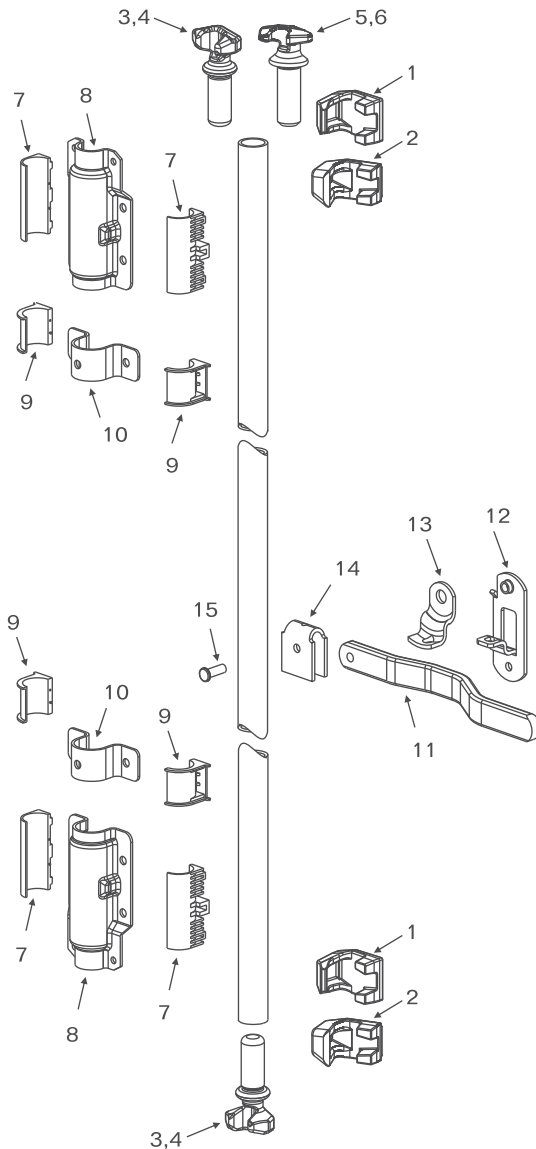
# DOOR HARDWARE

## DOOR LOCK COMPONENTS

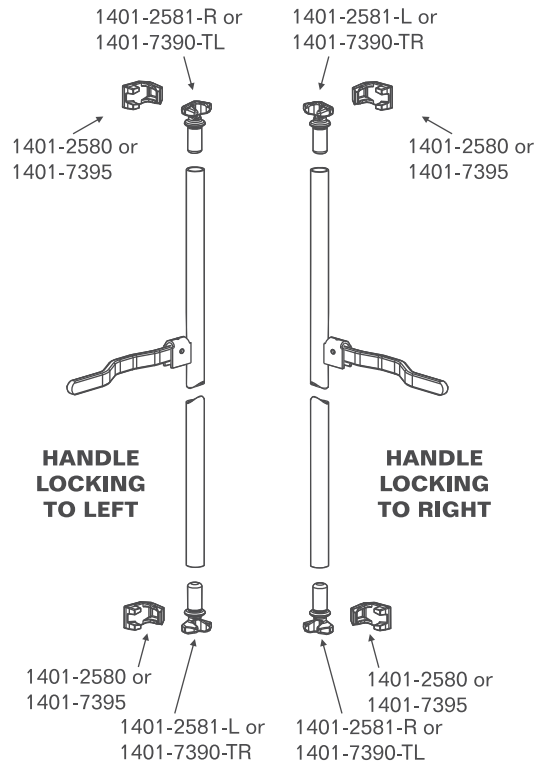
### BOLT-ON MINER TYPE

ITEM	BUFFERS MODEL NO.	MINER MODEL NO.	DESCRIPTION
1	1401-2580	M1064	KEEPER, TOP & BOTTOM, NON-HANDED
2	1401-7395	M4140	KEEPER, TOP & BOTTOM, NON-HANDED
3	1401-2581-L	M4043	CAM
4	1401-2581-R	M4044	CAM
5	1401-7390-TL	M4141	CAM, TOP LEFT
6	1401-7390-TR	M4242	CAM, TOP RIGHT
7	1401-2582	M4042	SPLIT BUSHING HALF, NON-HANDED
8	1401-2583	M4207	BEARING BRACKET LONG
9	1401-2589	M4006	SPLIT BUSHING HALF, NON-HANDED
10	1401-2606	M4005	BEARING BRACKET SHORT
11	1401-2585	M4090	HANDLE, PRESSED
12	1401-2588	M4011	RETAINER PLATE
13	1401-2584	M4012	RETAINER CATCH
14	1401-2586	M4208	HANDLE HUB MOUNTING BRACKET
15	1401-2587	M4049	RIVET FOR HANDLE HUB

ITEM	BUFFERS MODEL NO.	COMPONENT KIT QUANTITIES		
		1401-8308-KIT	1401-8309-L-KIT	1401-8309-R-KIT
1	1401-2580	2	0	0
2	1401-7395	0	2	2
3	1401-2581-L	1	0	0
4	1401-2581-R	1	0	0
5	1401-7390-TL	0	1	1
6	1401-7390-TR	0	1	1
7	1401-2582	4	4	4
8	1401-2583	2	2	2
9	1401-2589	2	2	2
10	1401-2606	1	1	1
11	1401-2585	1	1	1
12	1401-2588	1	1	1
13	1401-2584	1	1	1
14	1401-2586	1	1	1
15	1401-2587	1	1	1



#### CAM & KEEPER LOCATION DETAIL

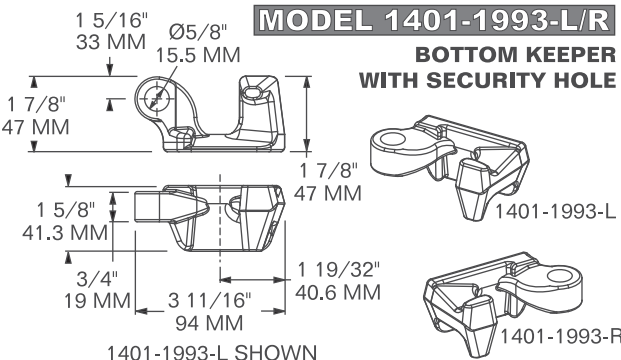


# DOOR HARDWARE

## DOOR LOCK COMPONENTS

### TOP & BOTTOM KEEPERS

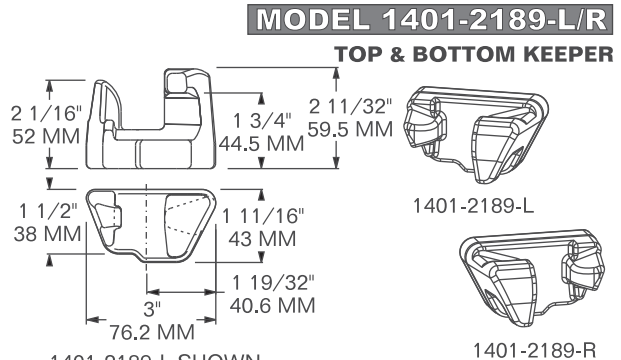
**MODEL 1401-1993-L/R**  
**BOTTOM KEEPER WITH SECURITY HOLE**



1 5/16" 33 MM  
Ø5/8" 15.5 MM  
1 7/8" 47 MM  
1 7/8" 47 MM  
1 5/8" 41.3 MM  
3/4" 19 MM  
3 11/16" 94 MM  
1 19/32" 40.6 MM  
1401-1993-L SHOWN  
1401-1993-L  
1401-1993-R

**SUB FOR:** BLOXWICH 13508-C-L /-R  
**WORKS WITH:** 1401-1992 CAM  
**MATERIAL:** FORGED STEEL **FINISH:** ZINC PLATED  
**WEIGHT:** 0.96 LBS / 0.44 Kg

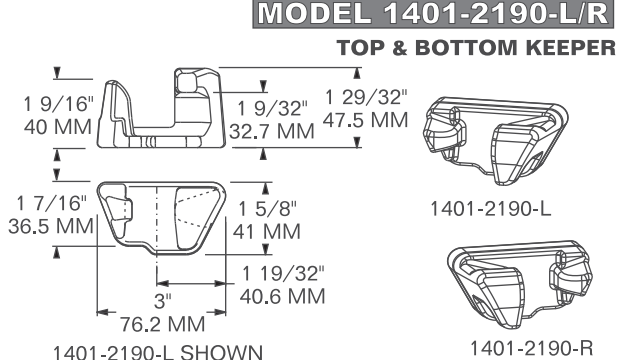
**MODEL 1401-2189-L/R**  
**TOP & BOTTOM KEEPER**



2 1/16" 52 MM  
1 3/4" 44.5 MM  
2 11/32" 59.5 MM  
1 1/2" 38 MM  
1 11/16" 43 MM  
1 19/32" 40.6 MM  
3" 76.2 MM  
1401-2189-L SHOWN  
1401-2189-L  
1401-2189-R

**SUB FOR:** BLOXWICH 10365-L, 10364-R  
**WORKS WITH:** 1401-2194 CAM  
**MATERIAL:** FORGED STEEL **FINISH:** ZINC PLATED  
**WEIGHT:** 1.4 LBS / 0.64 Kg

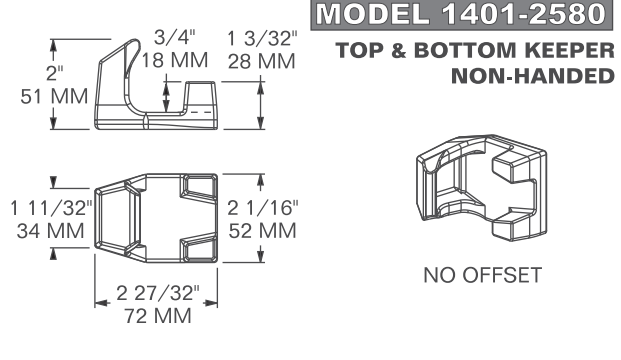
**MODEL 1401-2190-L/R**  
**TOP & BOTTOM KEEPER**



1 9/16" 40 MM  
1 9/32" 32.7 MM  
1 29/32" 47.5 MM  
1 7/16" 36.5 MM  
1 5/8" 41 MM  
1 19/32" 40.6 MM  
3" 76.2 MM  
1401-2190-L SHOWN  
1401-2190-L  
1401-2190-R

**SUB FOR:** BLOXWICH 10153-L, 10152-R  
**WORKS WITH:** 1401-2194 CAM  
**MATERIAL:** FORGED STEEL **FINISH:** ZINC PLATED  
**WEIGHT:** 0.9 LBS / 0.41 Kg

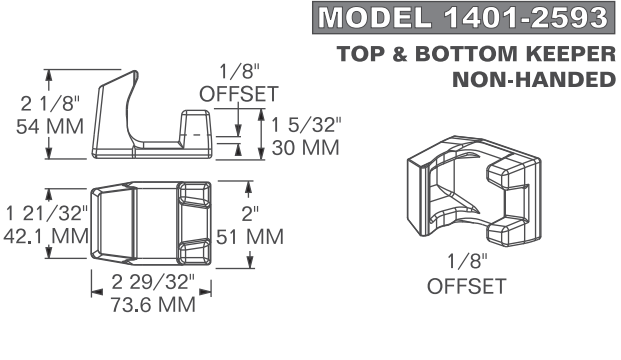
**MODEL 1401-2580**  
**TOP & BOTTOM KEEPER NON-HANDED**



3/4" 18 MM  
1 3/32" 28 MM  
2" 51 MM  
1 11/32" 34 MM  
2 1/16" 52 MM  
2 27/32" 72 MM  
NO OFFSET

**SUB FOR:** MINER M1064  
**WORKS WITH:** 1401-2581 AND 1401-2592 CAM  
**MATERIAL:** FORGED STEEL **FINISH:** ZINC PLATED  
**WEIGHT:** 0.46 LBS / 0.21 Kg

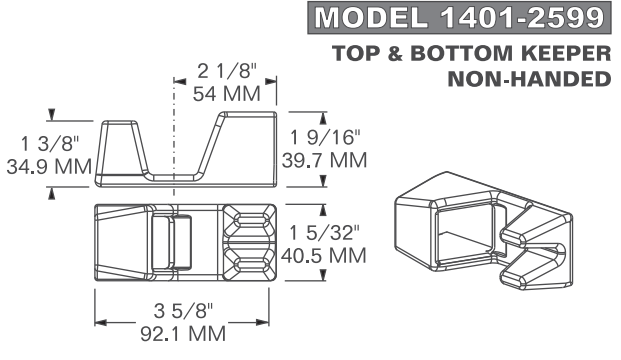
**MODEL 1401-2593**  
**TOP & BOTTOM KEEPER NON-HANDED**



1/8" OFFSET  
2 1/8" 54 MM  
1 5/32" 30 MM  
1 21/32" 42.1 MM  
2" 51 MM  
2 29/32" 73.6 MM  
1/8" OFFSET

**SUB FOR:** MINER M4091  
**WORKS WITH:** 1401-2581 AND 1401-2592 CAM  
**MATERIAL:** FORGED STEEL **FINISH:** ZINC PLATED  
**WEIGHT:** 1.2 LBS / 0.54 Kg

**MODEL 1401-2599**  
**TOP & BOTTOM KEEPER NON-HANDED**



2 1/8" 54 MM  
1 3/8" 34.9 MM  
1 9/16" 39.7 MM  
1 5/32" 40.5 MM  
3 5/8" 92.1 MM

**SUB FOR:** MINER M4224 **FITS:** NS-ST  
**WORKS WITH:** 1401-2741-L/R CAM  
**MATERIAL:** FORGED STEEL **FINISH:** ZINC PLATED  
**WEIGHT:** 0.84 LBS / 0.38 Kg

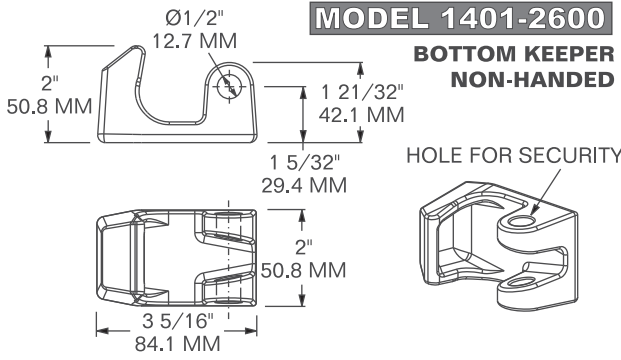
# DOOR HARDWARE

## DOOR LOCK COMPONENTS

### TOP & BOTTOM KEEPERS

**MODEL 1401-2600**

**BOTTOM KEEPER  
NON-HANDED**

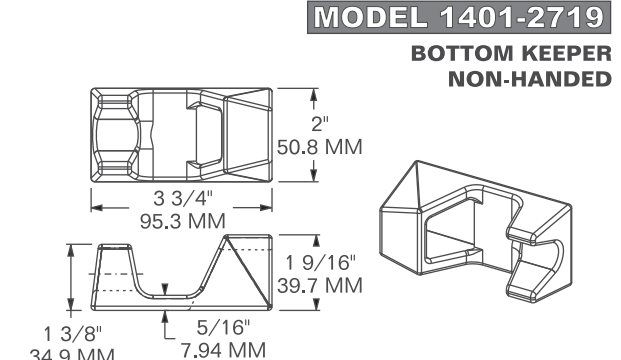


Ø1/2" 12.7 MM  
2" 50.8 MM  
1 21/32" 42.1 MM  
1 5/32" 29.4 MM  
2" 50.8 MM  
3 5/16" 84.1 MM  
HOLE FOR SECURITY

**SUB FOR:** MINER M4143  
**WORKS WITH:** 1401-2598 CAM  
**MATERIAL:** FORGED STEEL **FINISH:** ZINC PLATED  
**WEIGHT:** 1.3 LBS / 0.59 Kg

**MODEL 1401-2719**

**BOTTOM KEEPER  
NON-HANDED**

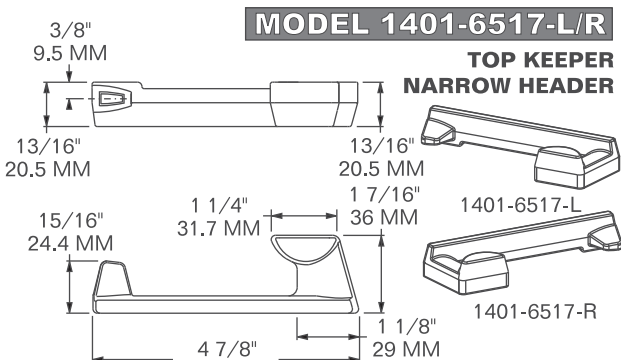


2" 50.8 MM  
3 3/4" 95.3 MM  
1 9/16" 39.7 MM  
1 3/8" 34.9 MM  
5/16" 7.94 MM

**SUB FOR:** MINER M4223  
**WORKS WITH:** M2497 AND M2498 CAM  
**MATERIAL:** CAST STEEL **FINISH:** ZINC PLATED  
**WEIGHT:** 1.0 LBS / 0.45 Kg

**MODEL 1401-6517-L/R**

**TOP KEEPER  
NARROW HEADER**

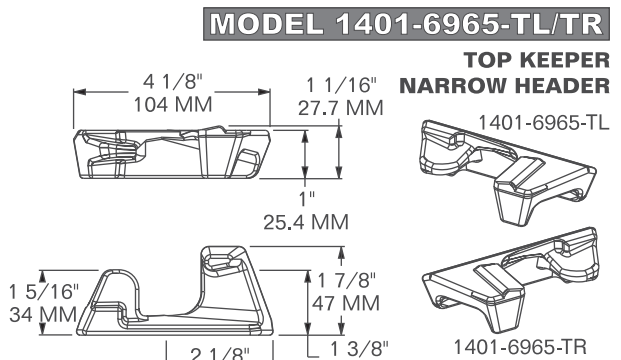


3/8" 9.5 MM  
13/16" 20.5 MM  
13/16" 20.5 MM  
1 1/4" 31.7 MM  
1 7/16" 36 MM  
15/16" 24.4 MM  
4 7/8" 123.3 MM  
1 1/8" 29 MM  
1401-6517-L  
1401-6517-R

**SUB FOR:** EBERHARD 16436-L/R  
**WORKS WITH:** 1401-6518 CAM  
**MATERIAL:** FORGED STEEL **FINISH:** GALVANIZED  
**WEIGHT:** 0.50 LBS / 0.23 Kg

**MODEL 1401-6965-TL/TR**

**TOP KEEPER  
NARROW HEADER**

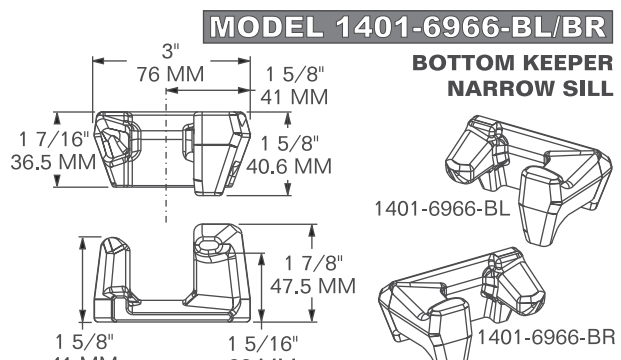


4 1/8" 104 MM  
1 1/16" 27.7 MM  
1" 25.4 MM  
1 5/16" 34 MM  
1 7/8" 47 MM  
2 1/8" 54.5 MM  
1 3/8" 34.5 MM  
1401-6965-TL  
1401-6965-TR

**WORKS WITH:** 1401-6969 CAM  
**MATERIAL:** FORGED STEEL  
**FINISH:** ZINC PLATED **WEIGHT:** 0.73 LBS / 0.33 Kg

**MODEL 1401-6966-BL/BR**

**BOTTOM KEEPER  
NARROW SILL**

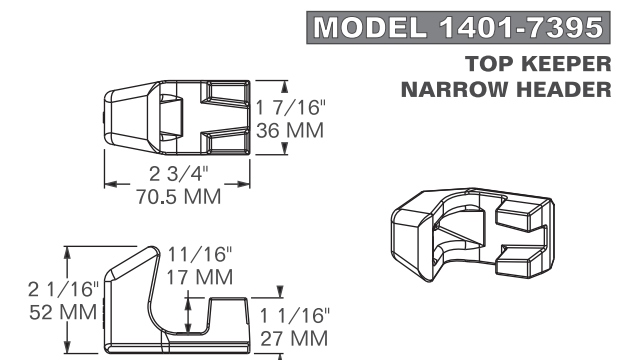


3" 76 MM  
1 5/8" 41 MM  
1 7/16" 36.5 MM  
1 5/8" 40.6 MM  
1 7/8" 47.5 MM  
1 5/8" 41 MM  
1 5/16" 33 MM  
1401-6966-BL  
1401-6966-BR

**WORKS WITH:** 1401-6968 CAM  
**MATERIAL:** FORGED STEEL  
**FINISH:** ZINC PLATED  
**WEIGHT:** 0.87 LBS / 0.40 Kg

**MODEL 1401-7395**

**TOP KEEPER  
NARROW HEADER**



1 7/16" 36 MM  
2 3/4" 70.5 MM  
11/16" 17 MM  
2 1/16" 52 MM  
1 1/16" 27 MM

**SUB FOR:** MINER 4140  
**WORKS WITH:** 1401-7390-TL/TR CAM  
**MATERIAL:** CAST STEEL **FINISH:** GALVANIZED  
**WEIGHT:** 0.82 LBS / 0.37 Kg



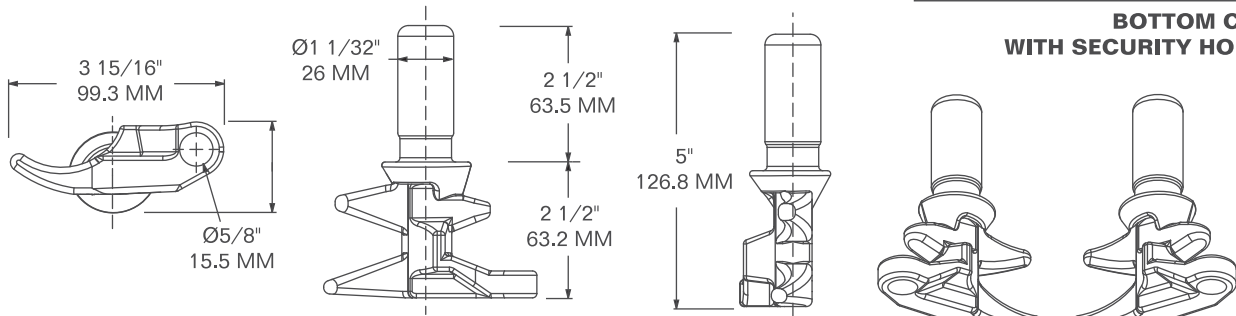
# DOOR HARDWARE

## DOOR LOCK COMPONENTS

### TOP & BOTTOM CAMS

#### MODEL 1401-1992-L/R

**BOTTOM CAM  
WITH SECURITY HOLES**



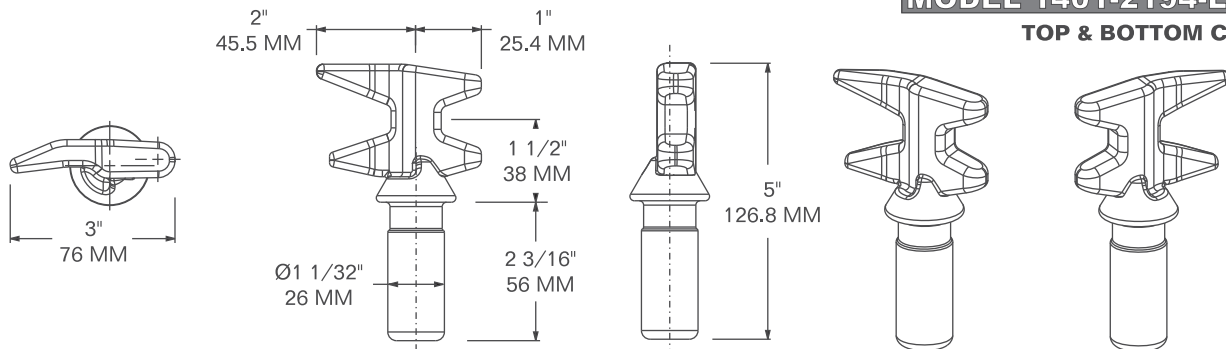
**MODEL 1401-1992-R SHOWN**

MODEL 1401-1992-L MODEL 1401-1992-R

**SUB FOR:** BLOXWICH 13506-D-L/-R **WORKS WITH:** 1401-1993 KEEPER  
**MATERIAL:** FORGED STEEL **FINISH:** GALVANIZED **WEIGHT:** 1.55 LBS / 0.70 Kg

#### MODEL 1401-2194-L/R

**TOP & BOTTOM CAM**



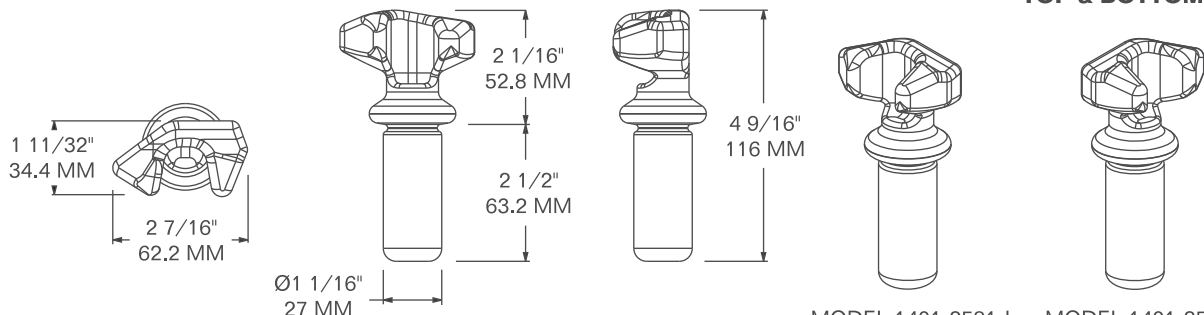
**MODEL 1401-2194-L SHOWN**

MODEL 1401-2194-L MODEL 1401-2194-R

**SUB FOR:** BLOXWICH 10081-L, 10080-R **WORKS WITH:** 1401-2189 AND 1401-2190 KEEPERS  
**MATERIAL:** FORGED STEEL **FINISH:** ZINC **WEIGHT:** 1.30 LBS / 0.59 Kg

#### MODEL 1401-2581-L/R

**TOP & BOTTOM CAM**



MODEL 1401-2581-L MODEL 1401-2581-R

**SUB FOR:** MINER 4043-L, 4044-R **WORKS WITH:** 1401-2580 AND 1401-2593 KEEPERS **FITS:** DL-BU  
**MATERIAL:** FORGED STEEL **FINISH:** GALVANIZED **WEIGHT:** 1.35 LBS / 0.64 Kg

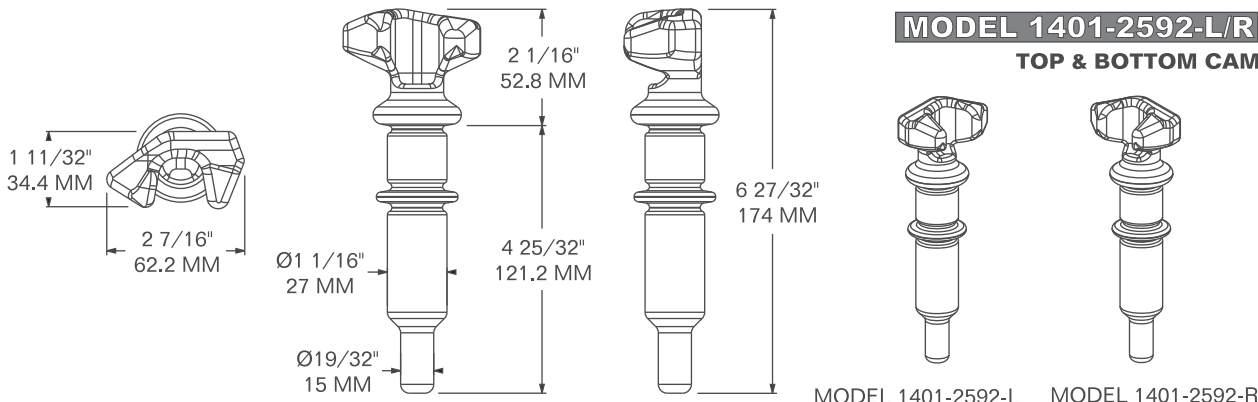


# DOOR HARDWARE

## DOOR LOCK COMPONENTS

### TOP & BOTTOM CAMS

**MODEL 1401-2592-L/R**  
**TOP & BOTTOM CAM**

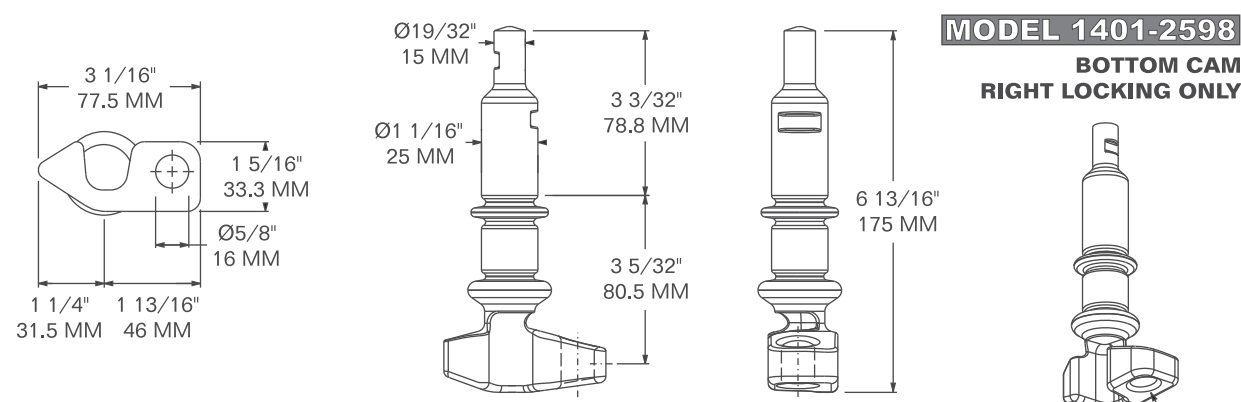


$1 \frac{11}{32}''$  34.4 MM  
 $2 \frac{7}{16}''$  62.2 MM  
 $2 \frac{1}{16}''$  52.8 MM  
 $6 \frac{27}{32}''$  174 MM  
 $4 \frac{25}{32}''$  121.2 MM  
 $\text{Ø}1 \frac{1}{16}''$  27 MM  
 $\text{Ø}19/32''$  15 MM

MODEL 1401-2592-L    MODEL 1401-2592-R

**SUB FOR:** MINER M2091-L, M2092-R    **WORKS WITH:** 1401-2593 KEEPER    **FITS:** DL-CT  
**MATERIAL:** FORGED STEEL    **FINISH:** GALVANIZED    **WEIGHT:** 1.8 LBS / 0.82 Kg

**MODEL 1401-2598**  
**BOTTOM CAM**  
**RIGHT LOCKING ONLY**

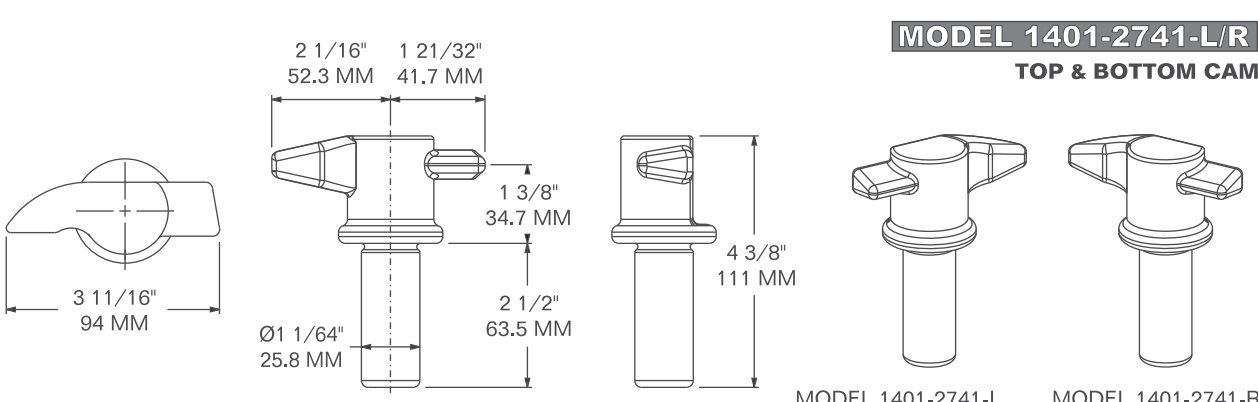


$3 \frac{1}{16}''$  77.5 MM  
 $1 \frac{5}{16}''$  33.3 MM  
 $\text{Ø}5/8''$  16 MM  
 $1 \frac{1}{4}''$  31.5 MM     $1 \frac{13}{16}''$  46 MM  
 $\text{Ø}19/32''$  15 MM  
 $\text{Ø}1 \frac{1}{16}''$  25 MM  
 $3 \frac{3}{32}''$  78.8 MM  
 $3 \frac{5}{32}''$  80.5 MM  
 $6 \frac{13}{16}''$  175 MM

HOLE FOR SECURITY

**SUB FOR:** MINER M4144    **WORKS WITH:** 1401-2600 KEEPER  
**MATERIAL:** FORGED STEEL    **FINISH:** GALVANIZED    **WEIGHT:** 1.81 LBS / 0.82 Kg

**MODEL 1401-2741-L/R**  
**TOP & BOTTOM CAM**



$2 \frac{1}{16}''$  52.3 MM     $1 \frac{21}{32}''$  41.7 MM  
 $1 \frac{3}{8}''$  34.7 MM  
 $4 \frac{3}{8}''$  111 MM  
 $2 \frac{1}{2}''$  63.5 MM  
 $\text{Ø}1 \frac{1}{64}''$  25.8 MM

MODEL 1401-2741-L    MODEL 1401-2741-R

**SUB FOR:** MINER 4226-L, 4225-R    **WORKS WITH:** 1401-2599 KEEPER  
**MATERIAL:** FORGED STEEL    **FINISH:** GALVANIZED    **WEIGHT:** 1.55 LBS / 0.70 Kg

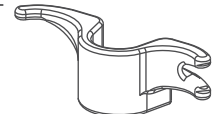
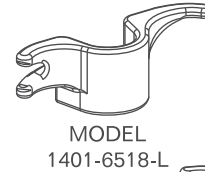
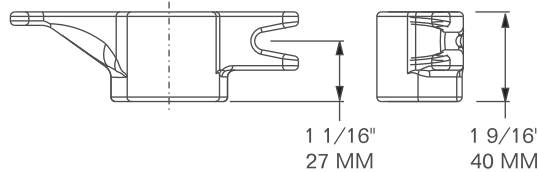
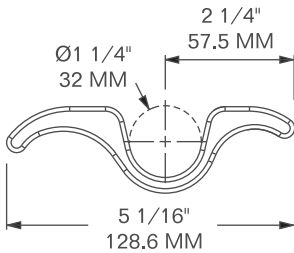
# DOOR HARDWARE

## DOOR LOCK COMPONENTS

### TOP & BOTTOM CAMS

#### MODEL 1401-6518-L/R

**TOP CAM**  
**NARROW HEADER**

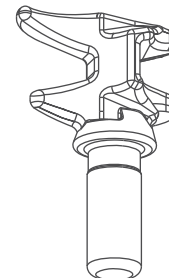
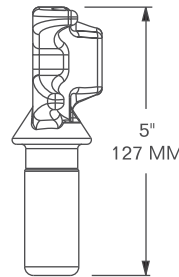
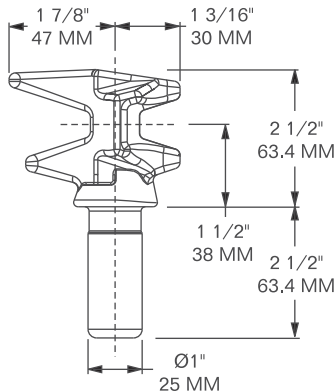
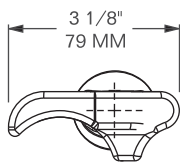


MODEL  
1401-6518-R

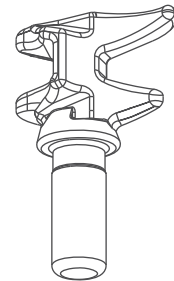
**SUB FOR:** EBERHARD 16437-L/R **WORKS WITH:** 1401-6517 KEEPER  
**MATERIAL:** FORGED STEEL **FINISH:** GALVANIZED **WEIGHT:** 0.65 LBS / 0.29 Kg

#### MODEL 1401-6968-L/R

**TOP & BOTTOM CAM**  
**WITH KICK-OUT RIDGE**



MODEL  
1401-6968-L

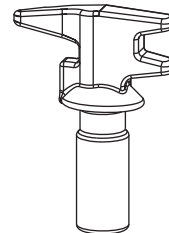
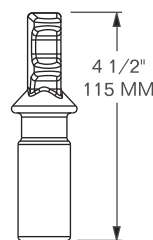
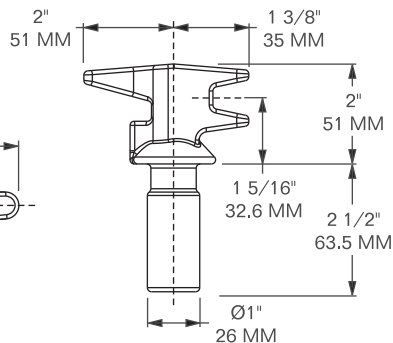
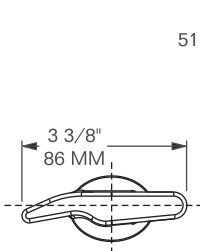


MODEL  
1401-6968-R

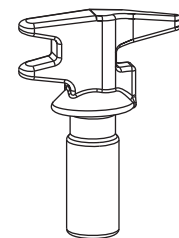
**SUB FOR:** BLOXWICH BCP10082-R, BCP10083-L  
**WORKS WITH:** 1401-6966 KEEPER **MATERIAL:** FORGED STEEL  
**FINISH:** ZINC PLATED **WEIGHT:** 1.42 LBS / 0.64 Kg

#### MODEL 1401-6969-TL/TR

**TOP CAM**  
**NARROW HEADER**



MODEL  
1401-6969-TL



MODEL  
1401-6969-TR

**SUB FOR:** BLOXWICH 10085-LH, 10084-RH  
**WORKS WITH:** 1401-6965 KEEPER **MATERIAL:** FORGED STEEL  
**FINISH:** HOT DIPPED GALVANIZED (HDG) **WEIGHT:** 1.04 LBS / 0.47 Kg

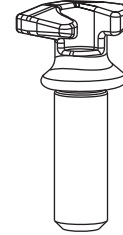
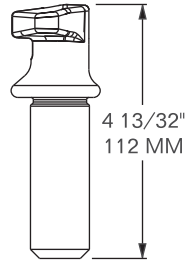
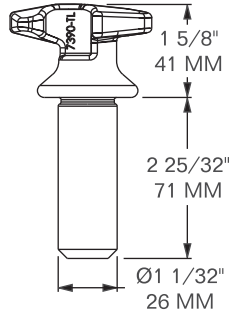
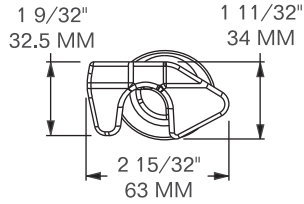
# DOOR HARDWARE

## DOOR LOCK COMPONENTS

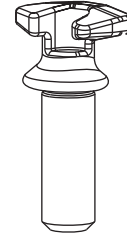
### TOP & BOTTOM CAMS

**MODEL 1401-7390-TL/TR**

**TOP CAM  
NARROW HEADER**



MODEL  
1401-7390-TL



MODEL  
1401-7390-TR

**SUB FOR:** MINER 4141 (TL) 4142 (TR), DL-NH **WORKS WITH:** 1401-7395 KEEPER  
**MATERIAL:** FORGED STEEL **FINISH:** GALVANIZED **WEIGHT:** 1.31 LBS / 0.59 Kg

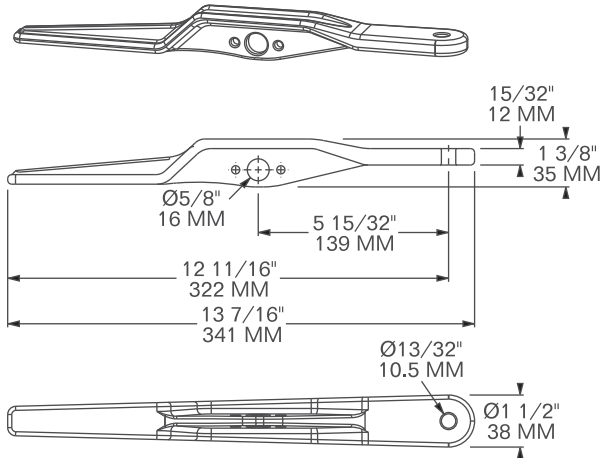
# DOOR HARDWARE

## DOOR LOCK COMPONENTS

### HANDLES

#### MODEL 1401-2180

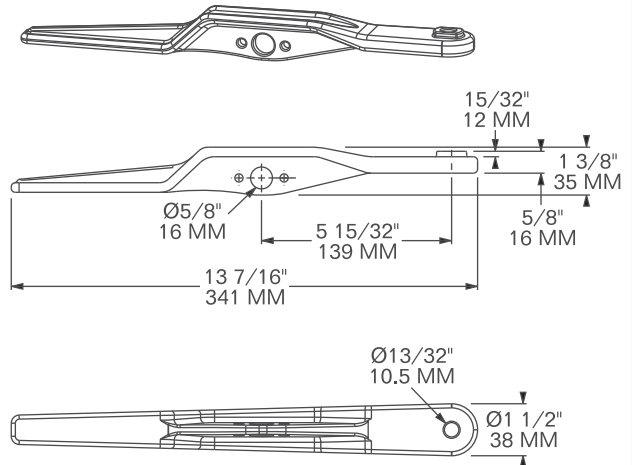
**FORGED HANDLE  
STANDARD TYPE**



**SUB FOR:** BLOXWICH 22182  
**WORKS WITH:** 1401-2177 HANDLE HUB  
**MATERIAL:** FORGED STEEL  
**FINISH:** GALVANIZED **WEIGHT:** 1.73 LBS / 0.78 Kg

#### MODEL 1401-2579

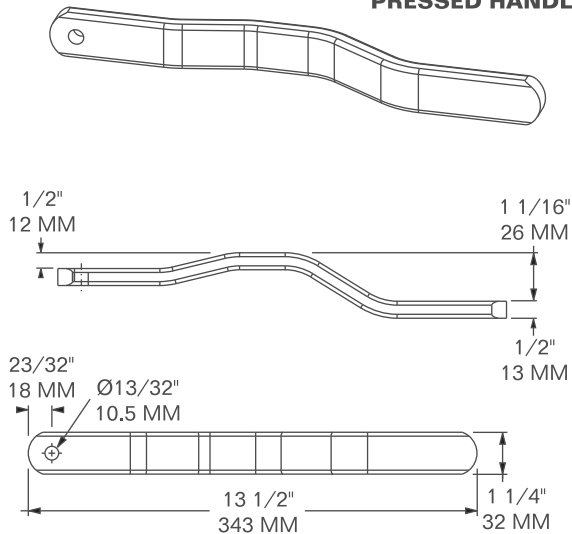
**FORGED HANDLE  
WITH SAFETY "DOUGHNUT"**



**WORKS WITH:** 1401-2578 HANDLE HUB  
**MATERIAL:** FORGED STEEL  
**FINISH:** GALVANIZED  
**WEIGHT:** 1.91 LBS / 0.87 Kg

#### MODEL 1401-2585

**PRESSED HANDLE**



**SUB FOR:** MINER 4090, BLOXWICH 12321  
**WORKS WITH:** 1401-8149 AND 1401-2586 HANDLE HUB  
**MATERIAL:** FAB STEEL  
**FINISH:** GALVANIZED **WEIGHT:** 2.3 LBS / 1.04 Kg

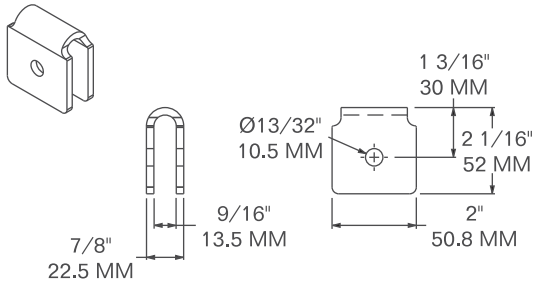
# DOOR HARDWARE

## DOOR LOCK COMPONENTS

## DOOR HANDLE HARDWARE

### MODEL 1401-2177

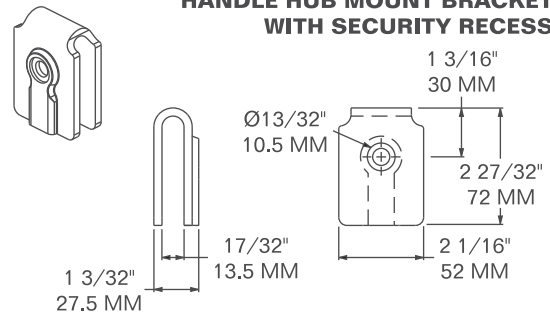
#### HANDLE HUB MOUNT BRACKET



**SUB FOR:** BLOXWICH 22084  
**WORKS WITH:** 1401-2180 HANDLE **MATERIAL:** STEEL  
**FINISH:** ZINC PLATED **WEIGHT:** 0.39 LBS / 0.17 Kg

### MODEL 1401-2578

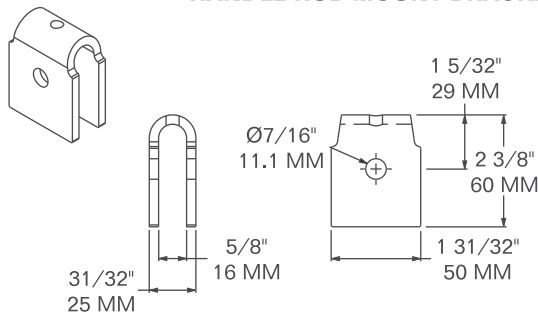
#### HANDLE HUB MOUNT BRACKET WITH SECURITY RECESS



**WORKS WITH:** 1401-2579 HANDLE  
**MATERIAL:** STEEL  
**FINISH:** ZINC PLATED **WEIGHT:** 0.59 LBS / 0.27 Kg

### MODEL 1401-2586

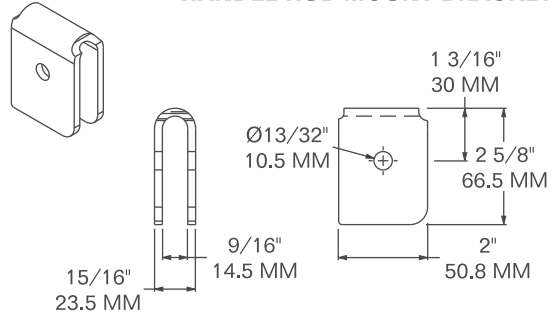
#### HANDLE HUB MOUNT BRACKET



**SUB FOR:** MINER M4208  
**WORKS WITH:** 1401-2585 HANDLE **MATERIAL:** STEEL  
**FINISH:** ZINC PLATED **WEIGHT:** 0.45 LBS / 0.20 Kg

### MODEL 1401-8149

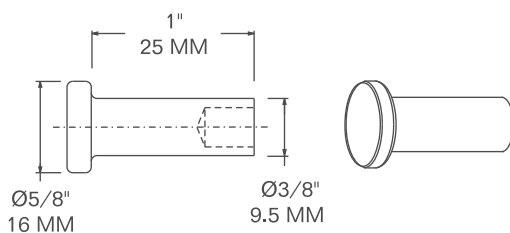
#### HANDLE HUB MOUNT BRACKET



**SUB FOR:** SAEJIN 87030/4  
**WORKS WITH:** 1401-2585 HANDLE **MATERIAL:** STEEL  
**FINISH:** ZINC PLATED **WEIGHT:** 0.52 LBS / 0.23 Kg

### MODEL 1401-2196

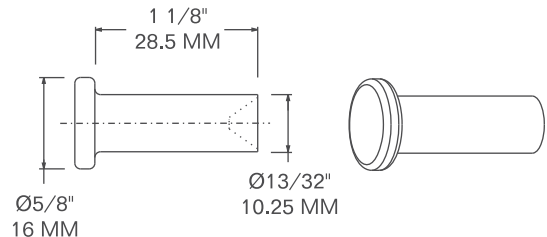
#### RIVET FOR HANDLE HUB



**SUB FOR:** SAEJIN 84044M  
**WORKS WITH:** 1401-2177 HANDLE HUB  
**MATERIAL:** STEEL **FINISH:** ZINC PLATED  
**WEIGHT:** 0.05 LBS / 0.02 Kg

### MODEL 1401-2587

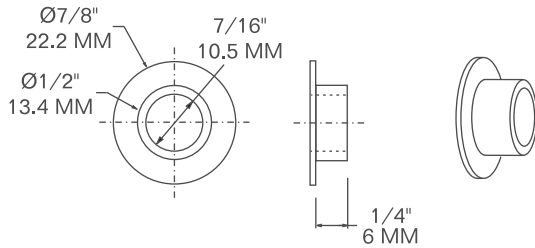
#### RIVET FOR HANDLE HUB



**SUB FOR:** SAEJIN 87011, BLOXWICH 10038/1, MINER M4049  
**WORKS WITH:** 1401-2586 HANDLE HUB  
**MATERIAL:** STEEL **FINISH:** ZINC PLATED  
**WEIGHT:** 0.05 LBS / 0.02 Kg

**MODEL 1401-2179**

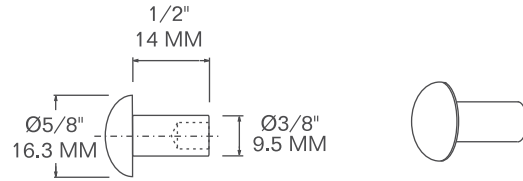
**BUSHING FOR RETAINER CATCH**



**SUB FOR:** BLOXWICH 22185  
**WORKS WITH:** 1401-2474 AND 1401-2609  
RETAINER CATCH  
**MATERIAL:** STEEL **FINISH:** ZINC PLATED  
**WEIGHT:** 0.015 LBS / 0.006 Kg

**MODEL 1401-2634**

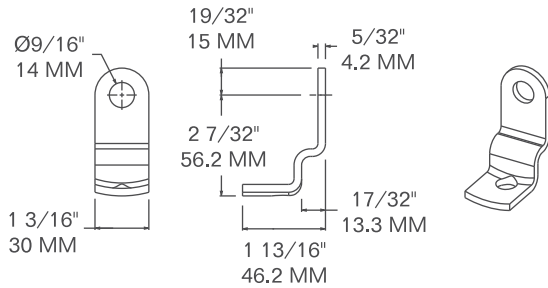
**RIVET FOR RETAINER CATCH**



**SUB FOR:** BLOXWICH 10038-2  
**WORKS WITH:** 1401-2473, 1401-2607 AND  
1401-2179 RETAINER PLATES  
**MATERIAL:** STAINLESS STEEL **FINISH:** SELF-COLOR  
**WEIGHT:** 0.022 LBS / 0.01 Kg

**MODEL 1401-2474**

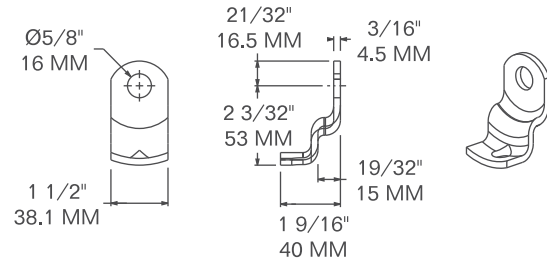
**RETAINER CATCH**



**SUB FOR:** BLOXWICH CRCP-001  
**WORKS WITH:** 1401-2473 RETAINER PLATE  
**MATERIAL:** STEEL **FINISH:** GALVANIZED  
**WEIGHT:** 0.22 LBS / 0.10 Kg

**MODEL 1401-2584**

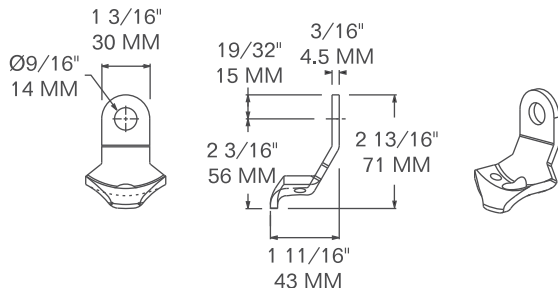
**RETAINER CATCH**



**SUB FOR:** M4012  
**WORKS WITH:** 1401-2588 RETAINER PLATE  
**MATERIAL:** STEEL **FINISH:** GALVANIZED  
**WEIGHT:** 0.25 LBS / 0.113 Kg

**MODEL 1401-2609**

**RETAINER CATCH**



**SUB FOR:** BLOXWICH 12229 AND 22192  
**WORKS WITH:** 1401-2607 RETAINER PLATE  
**MATERIAL:** STEEL  
**FINISH:** GALVANIZED **WEIGHT:** 0.22 LBS / 0.10 Kg

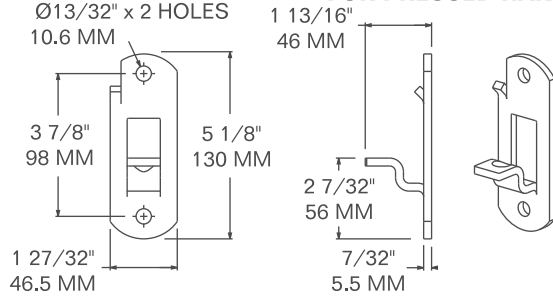
# DOOR HARDWARE

## DOOR LOCK COMPONENTS

## DOOR HANDLE HARDWARE

### MODEL 1401-2473

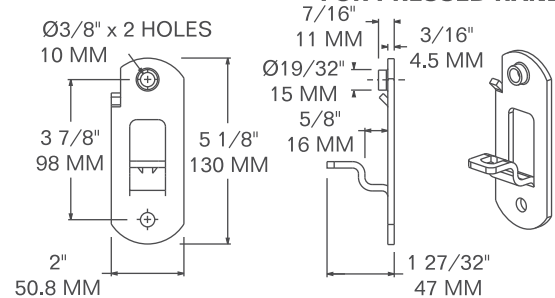
#### RETAINER PLATE FOR PRESSED HANDLE



**SUB FOR:** BLOXWICH 12322  
**WORKS WITH:** 1401-2474 CATCH **MATERIAL:** STEEL  
**FINISH:** GALVANIZED **WEIGHT:** 0.5 LBS / 0.2 Kg

### MODEL 1401-2588

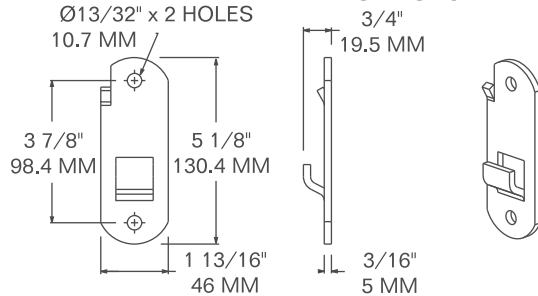
#### RETAINER PLATE FOR PRESSED HANDLE



**SUB FOR:** M4011  
**WORKS WITH:** 1401-2584 CATCH **MATERIAL:** STEEL  
**FINISH:** GALVANIZED **WEIGHT:** 0.45 LBS / 0.2 Kg

### MODEL 1401-2607

#### RETAINER PLATE FOR FORGED HANDLE



**SUB FOR:** BLOXWICH 22183F  
**WORKS WITH:** 1401-2609 CATCH **MATERIAL:** STEEL  
**FINISH:** GALVANIZED **WEIGHT:** 0.5 LBS / 0.2 Kg

# DOOR HARDWARE

## DOOR LOCK COMPONENTS

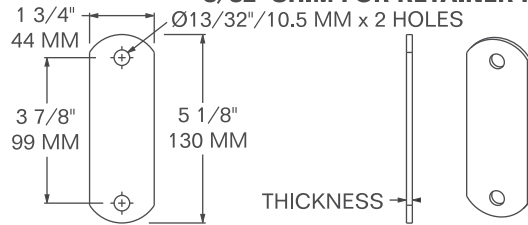
## DOOR HANDLE HARDWARE

### MODEL 1401-2619

**5/32" SHIM FOR RETAINER PLATE**

### MODEL 1401-2704

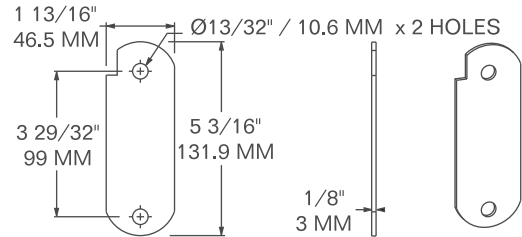
**3/32" SHIM FOR RETAINER PLATE**



**WORKS WITH:** 1401-2607 AND 1401-2473 RETAINER PLATES  
**MATERIAL:** STEEL **FINISH:** GALVANIZED  
**2619 WT:** 0.36 LBS/0.163 Kg **2704 WT:** 0.18 LBS/0.08 Kg

### MODEL 1401-2620

**1/8" SHIM FOR RETAINER PLATE**

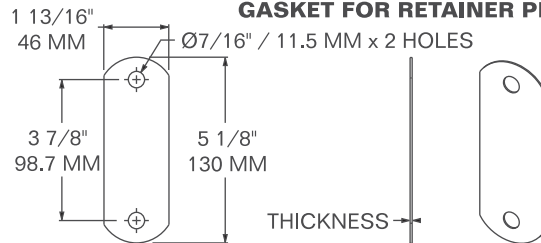


**WORKS WITH:** 1401-2607 AND 1401-2473 RETAINER PLATES  
**MATERIAL:** STEEL **FINISH:** GALVANIZED  
**WEIGHT:** 0.29 LBS / 0.132 Kg

### MODEL 1401-7324-1MM

### MODEL 1401-7324-3.75MM

**GASKET FOR RETAINER PLATE**



**WORKS WITH:** 1401-2473 AND 1401-2704 RETAINER PLATES  
**1401-7324-1MM THICKNESS:** 1/32" / 1 MM  
**1401-7324-3.75 MM THICKNESS:** 5/32" / 3.75 MM  
**MATERIAL:** EPDM RUBBER **FINISH:** BLACK  
**1401-7324-1MM WEIGHT:** 0.03 LBS / 0.01 Kg  
**1401-7324-3.75MM WEIGHT:** 0.044 LBS / 0.02 Kg

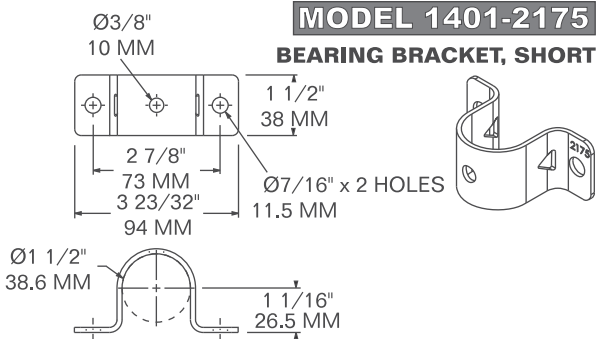


# DOOR HARDWARE

## DOOR LOCK COMPONENTS

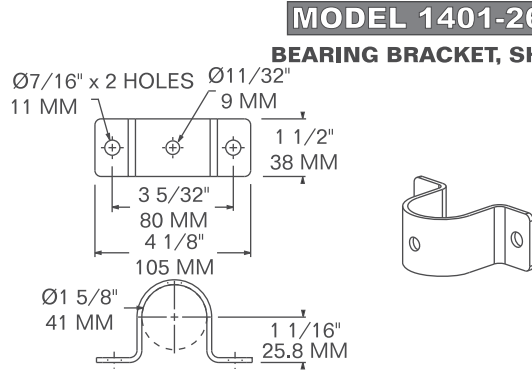
### SHORT BEARING BRACKETS

**MODEL 1401-2175**  
**BEARING BRACKET, SHORT**



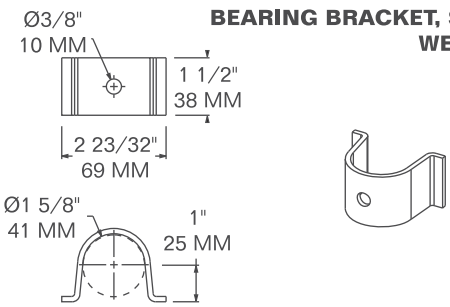
**SUB FOR:** BLOXWICH 10163  
**WORKS WITH:** 1401-2176 BACKPLATE AND 1401-2197-M/F OR ONLY 1401-6113 BUSHINGS  
**MATERIAL:** STEEL **FINISH:** GALVANIZED  
**WEIGHT:** 0.26 LBS / 0.12 Kg

**MODEL 1401-2606**  
**BEARING BRACKET, SHORT**



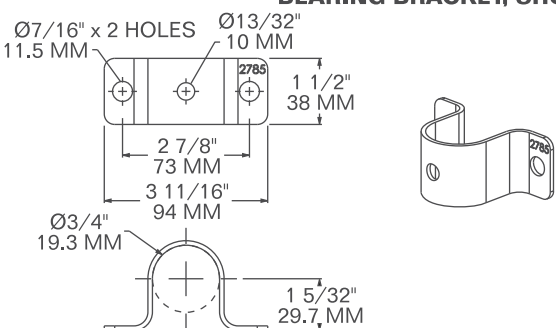
**SUB FOR:** BLOXWICH 12258 & MINER M4005  
**WORKS WITH:** 1401-2612 OR 1401-2589 BUSHINGS  
**MATERIAL:** STEEL  
**FINISH:** GALVANIZED **WEIGHT:** 0.36 LBS / 0.16 Kg

**MODEL 1401-2721**  
**BEARING BRACKET, SHORT WELD-ON**



**SUB FOR:** MINER M4107  
**WORKS WITH:** 1401-2589 BUSHING  
**MATERIAL:** STEEL  
**FINISH:** GALVANIZED **WEIGHT:** 0.27 LBS / 0.13 Kg

**MODEL 1401-2785**  
**BEARING BRACKET, SHORT**



**WORKS WITH:** 1401-6156 BUSHING  
**MATERIAL:** STEEL  
**FINISH:** GALVANIZED **WEIGHT:** 0.30 LBS / 0.14 Kg

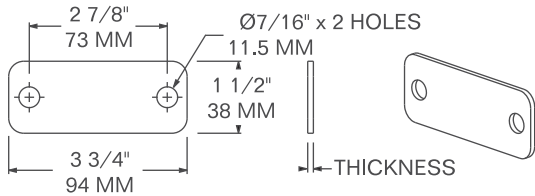


# DOOR HARDWARE

## DOOR LOCK COMPONENTS

### SHORT BEARING BRACKETS

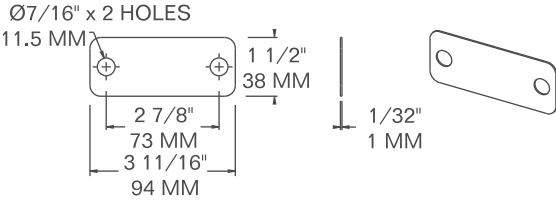
**MODEL 1401-2604**  
**BEARING BRACKET SHIM 1/8" (3 MM) THICK**  
**MODEL 1401-2886**  
**5/64" (2 MM) THICK**



$2 \frac{7}{8}$ "  
73 MM  
 $\varnothing 7/16$ " x 2 HOLES  
 11.5 MM  
 $1 \frac{1}{2}$ "  
38 MM  
 $3 \frac{3}{4}$ "  
94 MM  
 THICKNESS

**WORKS WITH:** 1401-2175 BEARING BRACKET  
**MATERIAL:** STEEL **FINISH:** GALVANIZED  
**1401-2604 WEIGHT:** 0.18 LBS / 0.08 Kg  
**1401-2886 WEIGHT:** 0.12 LBS / 0.05 Kg

**MODEL 1401-7323-1MM**  
**GASKET FOR SHORT BEARING BRACKET**



$\varnothing 7/16$ " x 2 HOLES  
 11.5 MM  
 $1 \frac{1}{2}$ "  
38 MM  
 $2 \frac{7}{8}$ "  
73 MM  
 $3 \frac{11}{16}$ "  
94 MM  
 $1 \frac{1}{32}$ "  
1 MM

**WORKS WITH:** 1401-2175 BRACKET AND  
 1401-2886 SHIM  
**THICKNESS:** 1/32" / 1 MM  
**MATERIAL:** EPDM RUBBER **FINISH:** BLACK  
**WEIGHT:** 0.02 LBS / 0.01 Kg

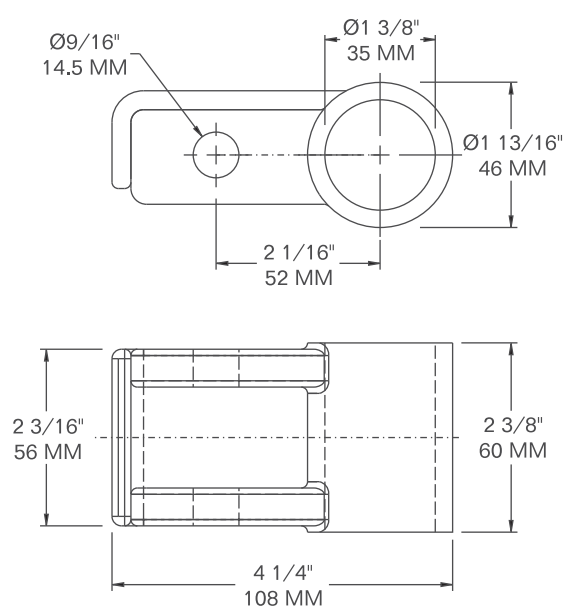


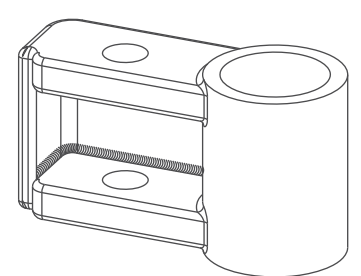
# DOOR HARDWARE

## DOOR LOCK COMPONENTS

### LOCK BRACKET

**MODEL 1401-6972**  
**PADLOCK COVER**  
**SECONDARY LOCK**

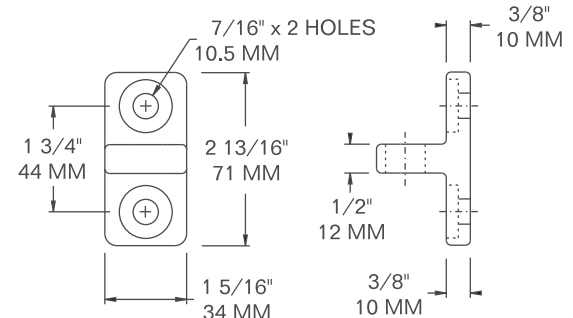


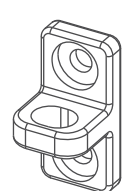


**WELDS AROUND LOCKROD**

**WORKS WITH:** 1401-6973 BRACKET  
**MATERIAL:** CAST STEEL  
**FINISH:** ZINC PLATED **WEIGHT:** 1.89 LBS / 0.86 Kg

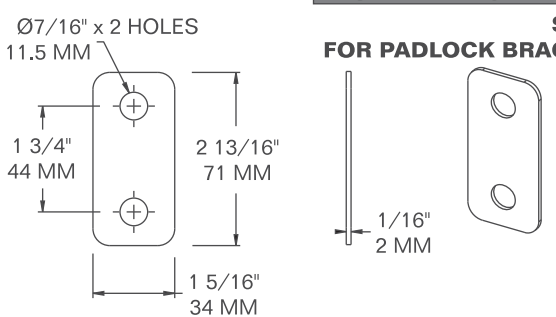
**MODEL 1401-6973**  
**PADLOCK BRACKET**  
**SECONDARY LOCK**





**WORKS WITH:** 1401-6972 COVER, 1401-7321 SHIM AND 1401-7326 GASKET **MATERIAL:** STEEL  
**FINISH:** GALVANIZED **WEIGHT:** 0.44 LBS / 0.20 Kg

**MODEL 1401-7321**  
**SHIM**  
**FOR PADLOCK BRACKET**



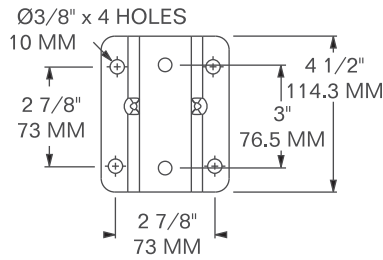
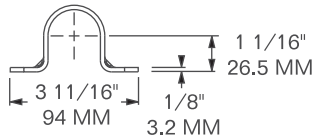
**WORKS WITH:** 1401-6973 BRACKET AND 1401-7326 GASKET **MATERIAL:** STEEL  
**FINISH:** ZINC PLATED **WEIGHT:** 0.18 LBS / 0.08 Kg



# DOOR HARDWARE

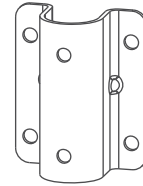
## DOOR LOCK COMPONENTS

### LONG BEARING BRACKETS

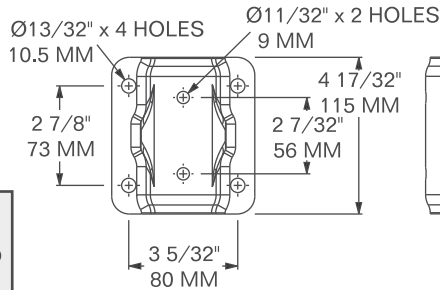
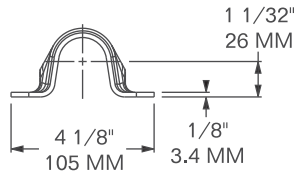


**MODEL 1401-2173**

**BEARING BRACKET LONG**

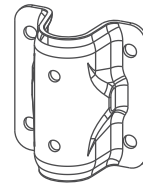


**SUB FOR:** BLOXWICH 11028 **WORKS WITH:** 1401-7322 GASKET, 1401-2174 BACKPLATE AND 2 SETS OF 1401-2197 BUSHINGS OR ONLY 1401-2613 BUSHING **MATERIAL:** STEEL **FINISH:** GALVANIZED **WEIGHT:** 0.93 LBS / 0.42 Kg

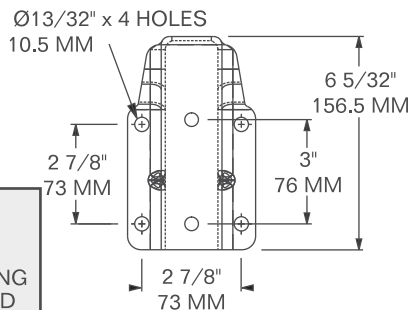
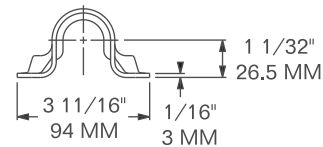


**MODEL 1401-2308**

**BEARING BRACKET LONG**

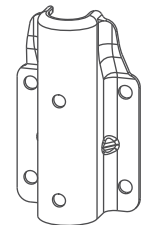
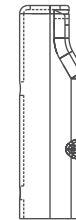


**SUB FOR:** BLOXWICH 12262 **WORKS WITH:** 1401-2614 BUSHING **MATERIAL:** STEEL **FINISH:** GALVANIZED **WEIGHT:** 1.14 LBS / 0.52 Kg

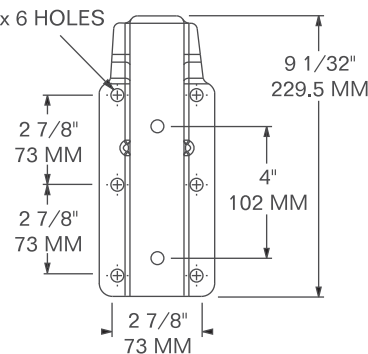
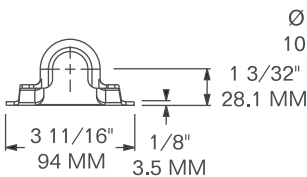


**MODEL 1401-2541**

**BEARING BRACKET LONG**



**SUB FOR:** BLOXWICH 10983-5 **WORKS WITH:** 1401-7322 GASKET, 1401-2174 BACKPLATE AND 1401-2615-M/F OR ONLY 1401-2613 BUSHING **MATERIAL:** STEEL **FINISH:** GALVANIZED **WEIGHT:** 1.10 LBS / 0.50 Kg



**MODEL 1401-2542**

**BEARING BRACKET LONG**

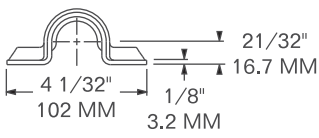


**SUB FOR:** BLOXWICH 10983-6, HAIHANG 97HH-E/L-06, CIMC-10-005 **WORKS WITH:** 1401-2605 BACKPLATE AND 1401-2611-M/F BUSHING **MATERIAL:** STEEL **FINISH:** GALVANIZED **WEIGHT:** 1.85 LBS / 0.84 Kg

# DOOR HARDWARE

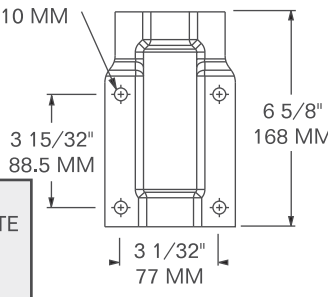
## DOOR LOCK COMPONENTS

### LONG BEARING BRACKETS



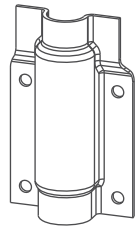
$4 \frac{1}{32}"$   
102 MM  
 $21 \frac{32}"$   
16.7 MM  
 $\frac{1}{8}"$   
3.2 MM

Ø3/8" x 4 HOLES  
10 MM

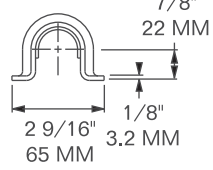


$3 \frac{15}{32}"$   
88.5 MM  
 $6 \frac{5}{8}"$   
168 MM  
 $3 \frac{1}{32}"$   
77 MM

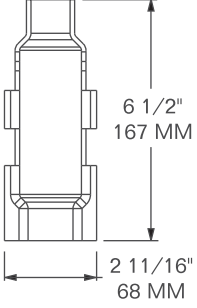
**MODEL 1401-2596**  
**BEARING BRACKET LONG**



**SUB FOR:** MINER M4003  
**WORKS WITH:** 1401-2601 BRACKET BACKPLATE AND 1401-2594 SPLIT BUSHING  
**MATERIAL:** STEEL **FINISH:** GALVANIZED  
**WEIGHT:** 1.44 LBS / 0.65 Kg

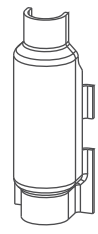


$\frac{7}{8}"$   
22 MM  
 $2 \frac{9}{16}"$   
65 MM  
 $\frac{1}{8}"$   
3.2 MM

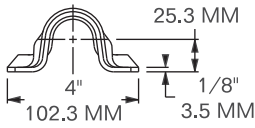


$6 \frac{1}{2}"$   
167 MM  
 $2 \frac{11}{16}"$   
68 MM

**MODEL 1401-2597**  
**BEARING BRACKET LONG**



**SUB FOR:** MINER M4105  
**WORKS WITH:** 1401-2601, 1401-2602 BACKPLATES AND 1401-2594 BUSHING  
**MATERIAL:** STEEL **FINISH:** GALVANIZED  
**WEIGHT:** 1.10 LBS / 0.50 Kg

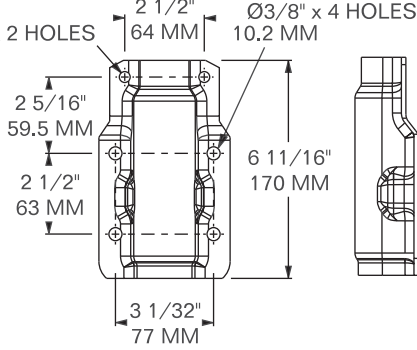


$1"$   
25.3 MM  
 $4"$   
102.3 MM  
 $\frac{1}{8}"$   
3.5 MM

Ø5/16" x 2 HOLES  
8.5 MM

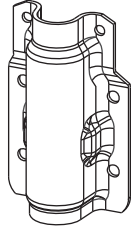
2 1/2" 64 MM

Ø3/8" x 4 HOLES  
10.2 MM

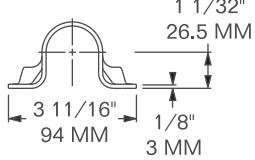


$2 \frac{5}{16}"$   
59.5 MM  
 $2 \frac{1}{2}"$   
63 MM  
 $6 \frac{11}{16}"$   
170 MM  
 $3 \frac{1}{32}"$   
77 MM

**MODEL 1401-2583**  
**BEARING BRACKET LONG**

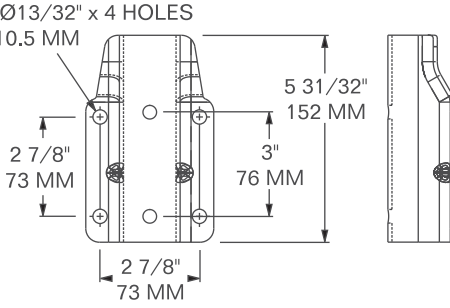


**SUB FOR:** MINER 4207  
**WORKS WITH:** 1401-2582 BUSHING  
**MATERIAL:** STEEL **FINISH:** GALVANIZED  
**WEIGHT:** 1.50 LBS / 0.68 Kg



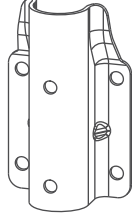
$1 \frac{1}{32}"$   
26.5 MM  
 $3 \frac{11}{16}"$   
94 MM  
 $\frac{1}{8}"$   
3 MM

Ø13/32" x 4 HOLES  
10.5 MM



$2 \frac{7}{8}"$   
73 MM  
 $5 \frac{31}{32}"$   
152 MM  
 $3"$   
76 MM  
 $2 \frac{7}{8}"$   
73 MM

**MODEL 1401-6142**  
**BEARING BRACKET LONG**

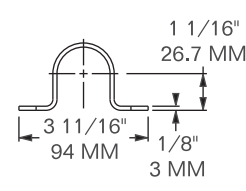


**SUB FOR:** BLOXWICH 10158-1  
**WORKS WITH:** 1401-7322 GASKET AND 1401-2613 BUSHING  
**MATERIAL:** STEEL **FINISH:** GALVANIZED  
**WEIGHT:** 1.10 LBS / 0.50 Kg

# DOOR HARDWARE

## DOOR LOCK COMPONENTS

### LONG BEARING BRACKETS

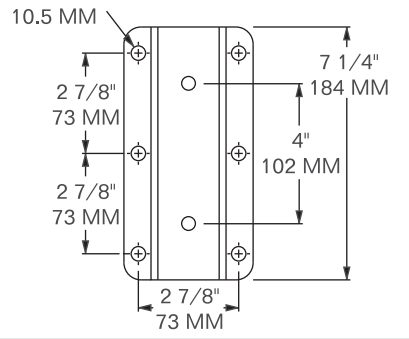


1 1/16"  
26.7 MM

3 11/16"  
94 MM

1/8"  
3 MM

Ø7/16" x 6 HOLES  
10.5 MM



2 7/8"  
73 MM

2 7/8"  
73 MM

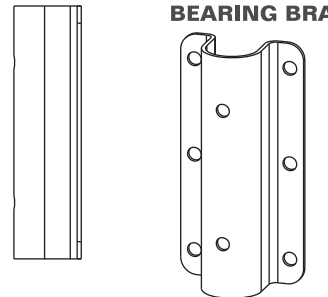
7 1/4"  
184 MM

4"  
102 MM

2 7/8"  
73 MM

**MODEL 1401-7030**

**BEARING BRACKET LONG**



**SUB FOR:** SAEJIN 87105-5  
**WORKS WITH:** 1401-2838 BUSHING  
**MATERIAL:** STEEL **FINISH:** GALVANIZED  
**WEIGHT:** 1.48 LBS / 0.67 Kg

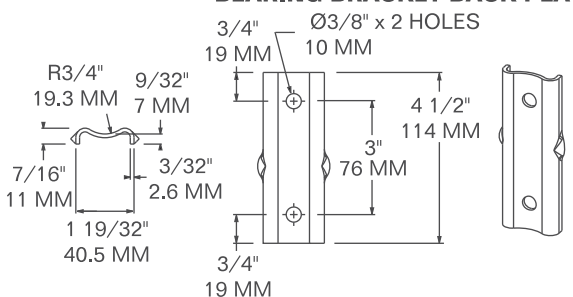


# DOOR HARDWARE

## DOOR LOCK COMPONENTS

### BEARING BRACKET BACK PLATES

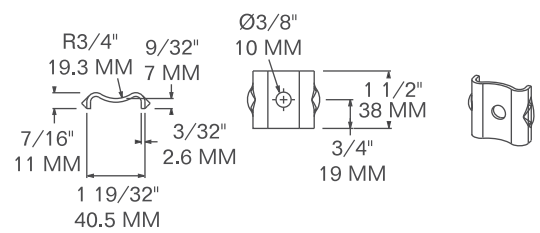
**MODEL 1401-2174**  
**BEARING BRACKET BACK PLATE**



3/4" 19 MM  $\text{\O}3/8"$  x 2 HOLES 10 MM  
 R3/4" 19.3 MM 9/32" 7 MM  
 7/16" 11 MM 3/32" 2.6 MM  
 1 19/32" 40.5 MM  
 3" 76 MM  
 4 1/2" 114 MM  
 3/4" 19 MM

**SUB FOR:** BLOXWICH 10159-1  
**WORKS WITH:** 1401-2541 BRACKET AND 1401-2615-M/F BUSHING **MATERIAL:** STEEL  
**FINISH:** GALVANIZED **WEIGHT:** 0.26 LBS / 0.118 Kg

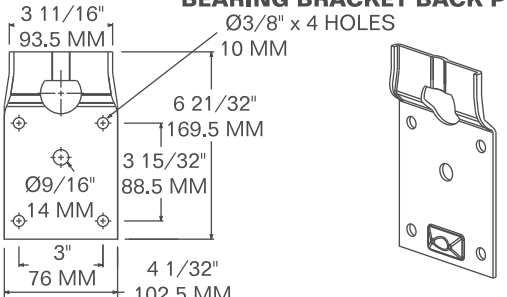
**MODEL 1401-2176**  
**BEARING BRACKET BACK PLATE**



R3/4" 19.3 MM 9/32" 7 MM  
 7/16" 11 MM 3/32" 2.6 MM  
 1 19/32" 40.5 MM  
 $\text{\O}3/8"$  10 MM  
 1 1/2" 38 MM  
 3/4" 19 MM

**SUB FOR:** BLOXWICH 10160  
**WORKS WITH:** 1401-2175 BRACKET AND 1401-2197-M/F BUSHING **MATERIAL:** STEEL  
**FINISH:** GALVANIZED **WEIGHT:** 0.085 LBS / 0.039 Kg

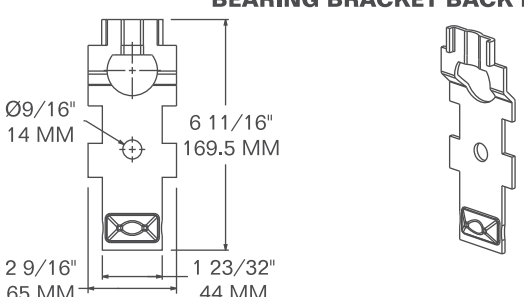
**MODEL 1401-2601**  
**BEARING BRACKET BACK PLATE**



3 11/16" 93.5 MM  $\text{\O}3/8"$  x 4 HOLES 10 MM  
 6 21/32" 169.5 MM  
 $\text{\O}9/16"$  14 MM  
 3" 76 MM  
 3 15/32" 88.5 MM  
 4 1/32" 102.5 MM

**SUB FOR:** MINER M4004  
**WORKS WITH:** 1401-2596 BRACKET AND 1401-2594 BUSHING **MATERIAL:** STEEL  
**FINISH:** GALVANIZED **WEIGHT:** 0.95 LBS / 0.431 Kg

**MODEL 1401-2602**  
**BEARING BRACKET BACK PLATE**



$\text{\O}9/16"$  14 MM  
 6 11/16" 169.5 MM  
 2 9/16" 65 MM  
 1 23/32" 44 MM

**SUB FOR:** MINER M4106  
**WORKS WITH:** 1401-2597 BRACKET AND 1401-2594 BUSHING **MATERIAL:** STEEL  
**FINISH:** GALVANIZED **WEIGHT:** 0.45 LBS / 0.204 Kg



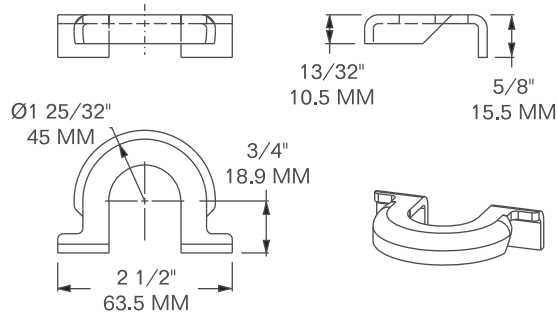
# DOOR HARDWARE

## DOOR LOCK COMPONENTS

### ANTI-RACK HARDWARE

#### MODEL 1401-2543

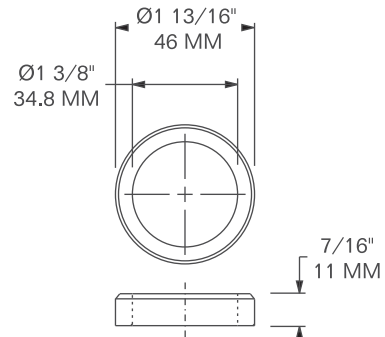
#### ANTI-RACK RING SUPPORT



**SUB FOR:** BLOXWICH 10210 **MATERIAL:** STEEL  
**FINISH:** ZINC PLATED **WEIGHT:** 0.10 LBS / 0.045 Kg

#### MODEL 1401-2172

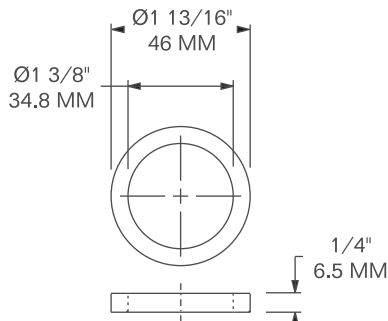
#### ANTI-RACK RING



**SUB FOR:** BLOXWICH 11945 **MATERIAL:** STEEL  
**FINISH:** ZINC PLATE **WEIGHT:** 0.15 LBS / 0.068 Kg

#### MODEL 1401-2603

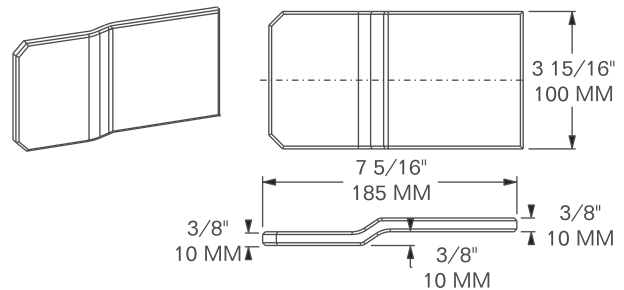
#### ANTI-RACK RING



**SUB FOR:** BLOXWICH 10176 **MATERIAL:** STEEL  
**FINISH:** ZINC PLATED **WEIGHT:** 0.075 LBS / 0.034 Kg

#### MODEL 1401-6971

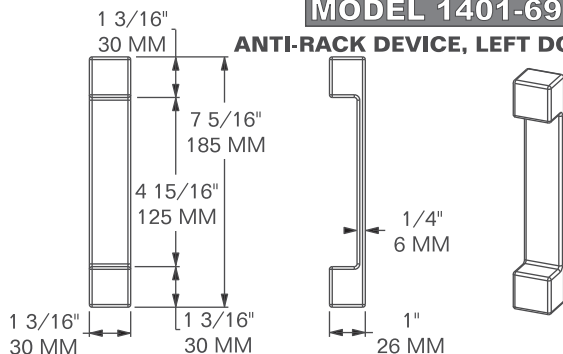
#### ANTI-RACK DEVICE, RIGHT DOOR



**SUB FOR:** JINDO R32514-0050  
**WORKS WITH:** 1401-6975 ANTI-RACK DEVICE  
**MATERIAL:** FAB STEEL  
**FINISH:** GALVANIZED **WEIGHT:** 3.17 LBS / 1.44 Kg

#### MODEL 1401-6975

#### ANTI-RACK DEVICE, LEFT DOOR



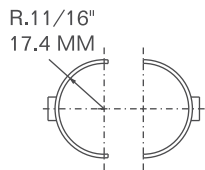
**SUB FOR:** JINDO R32514-0040  
**WORKS WITH:** 1401-6971 ANTI-RACK DEVICE  
**MATERIAL:** FAB STEEL  
**FINISH:** GALVANIZED **WEIGHT:** 1.23 LBS / 0.56 Kg



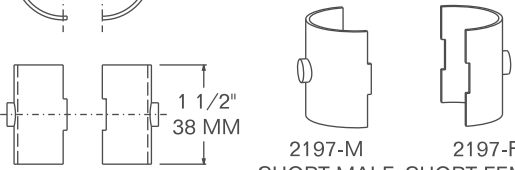
# DOOR HARDWARE

## DOOR LOCK COMPONENTS

### BEARING BUSHINGS



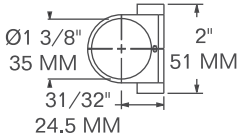
**MODEL 1401-2197-M**  
**MODEL 1401-2197-F**  
**SPLIT BUSHING**



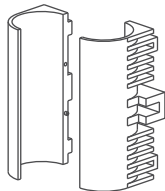
2197-M 2197-F  
SHORT MALE SHORT FEMALE

1 1/2" 38 MM

**SUB FOR:** BLOXWICH 10556 (FEMALE), 10557 (MALE)  
**WORKS WITH:** 1401-2175 BRACKET AND 1401-2176 BACKPLATE  
**MATERIAL:** ANTI-GALL **FINISH:** SELF-COLOR  
**WEIGHT:** 0.002 LBS / 2.0 Gms

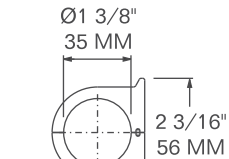


**MODEL 1401-2582**  
**SPLIT BUSHING HALVES**

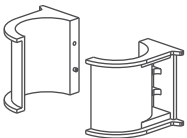


NON-HANDED,  
2 PCS REQUIRED

**SUB FOR:** MINER M4042  
**WORKS WITH:** 1401-2583 BRACKET  
**MATERIAL:** ANTI-GALL  
**FINISH:** SELF-COLOR **WEIGHT:** 0.05 LBS / 0.023 Kg

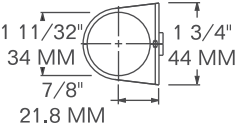


**MODEL 1401-2589**  
**SPLIT BUSHING HALVES**

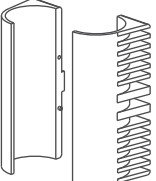


NON-HANDED,  
2 PCS REQUIRED

**SUB FOR:** MINER M4006  
**WORKS WITH:** 1401-2606 BRACKET AND 1401-2721 WELD-ON BRACKET  
**MATERIAL:** ANTI-GALL  
**FINISH:** SELF-COLOR **WEIGHT:** 0.04 LBS / 0.018 Kg

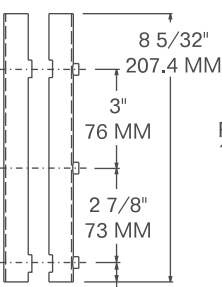


**MODEL 1401-2594**  
**SPLIT BUSHING HALVES**

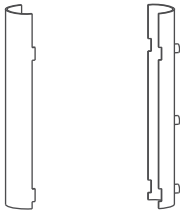


NON-HANDED,  
2 PCS REQUIRED

**SUB FOR:** MINER M4007  
**WORKS WITH:** 1401-2596 BRACKET AND 1401-2601, 1401-2602 BACKPLATES  
**MATERIAL:** ANTI-GALL  
**FINISH:** SELF-COLOR **WEIGHT:** 0.05 LBS / 0.023 Kg

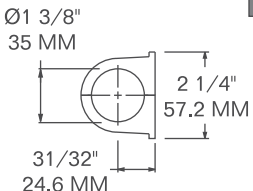


**MODEL 1401-2611-M**  
**MODEL 1401-2611-F**  
**SPLIT BUSHING**

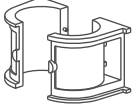


1401-2611-M 1401-2611-F  
LONG MALE LONG FEMALE

**SUB FOR:** BLOXWICH 10558 (FEMALE), 10553 (MALE)  
**WORKS WITH:** 1401-2542 BRACKET AND 1401-2605 BACKPLATE **MATERIAL:** ANTI-GALL  
**FINISH:** SELF-COLOR **WEIGHT:** 0.046 LBS / 0.020 Kg



**MODEL 1401-2612**  
**SPLIT BUSHING HALVES**



NON-HANDED,  
2 PCS REQUIRED

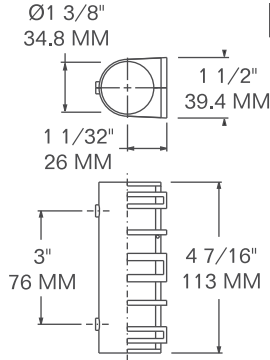
**SUB FOR:** BLOXWICH 12271  
**WORKS WITH:** 1401-2606 BRACKET  
**MATERIAL:** ANTI-GALL  
**FINISH:** SELF-COLOR **WEIGHT:** 0.25 LBS / 0.113 Kg

# DOOR HARDWARE

## DOOR LOCK COMPONENTS

### BEARING BUSHINGS

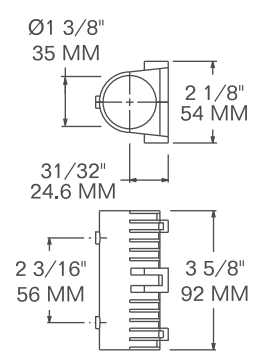
**MODEL 1401-2613**  
**SPLIT BUSHING HALVES**



NON-HANDED,  
2 PCS REQUIRED

**SUB FOR:** BLOXWICH 10559  
**WORKS WITH:** 1401-2173, 1401-2541 AND 1401-6142 BRACKETS  
**MATERIAL:** ANTI-GALL  
**FINISH:** SELF-COLOR **WEIGHT:** 0.05 LBS / 0.023 Kg

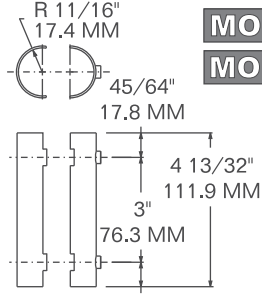
**MODEL 1401-2614**  
**SPLIT BUSHING HALVES**



NON-HANDED,  
2 PCS REQUIRED

**SUB FOR:** BLOXWICH 12272  
**WORKS WITH:** 1401-2308 BRACKET  
**MATERIAL:** ANTI-GALL  
**FINISH:** SELF-COLOR **WEIGHT:** 0.05 LBS / 0.023 Kg

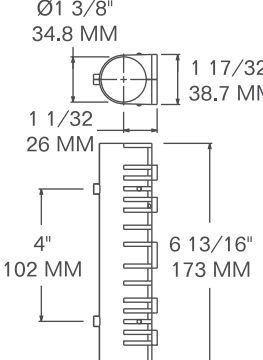
**MODEL 1401-2615-M**  
**MODEL 1401-2615-F**  
**SPLIT BUSHING**



1401-2615-M LONG MALE    1401-2615-F LONG FEMALE

**SUB FOR:** BLOXWICH 10554 (FEMALE), 10555 (MALE)  
**WORKS WITH:** 1401-2541 BRACKET AND 1401-2174 BACKPLATE  
**MATERIAL:** ANTI-GALL **FINISH:** SELF-COLOR  
**WEIGHT:** 0.023 LBS / 0.010 Kg

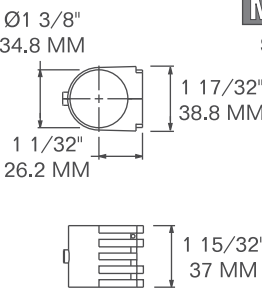
**MODEL 1401-2838**  
**SPLIT BUSHING HALVES**



NON-HANDED,  
2 PCS REQUIRED

**SUB FOR:** BLOXWICH 10561  
**WORKS WITH:** 1401-7030 BRACKET  
**MATERIAL:** ANTI-GALL  
**FINISH:** SELF-COLOR **WEIGHT:** 0.069 LBS / 0.031 Kg

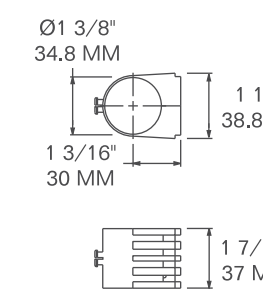
**MODEL 1401-6113**  
**SPLIT BUSHING HALVES**



NON-HANDED,  
2 PCS REQUIRED

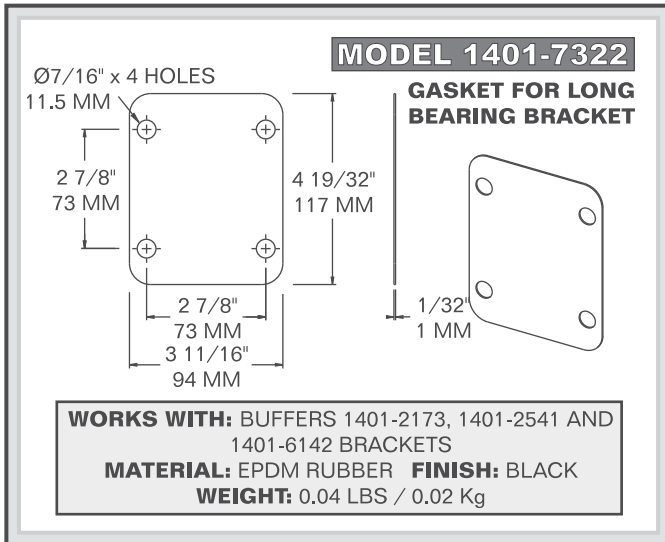
**SUB FOR:** BLOXWICH 10560  
**WORKS WITH:** 1401-2175 BRACKET  
**MATERIAL:** ANTI-GALL  
**FINISH:** SELF-COLOR **WEIGHT:** 0.02 LBS / 0.01 Kg

**MODEL 1401-6156**  
**SPLIT BUSHING HALVES**

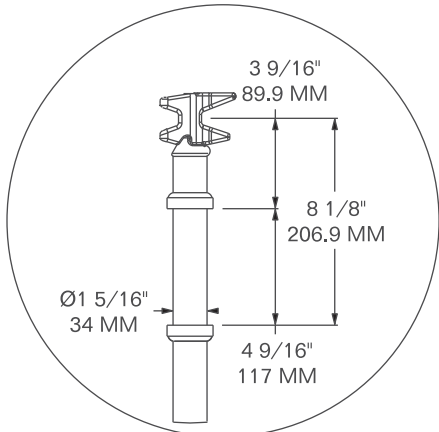


NON-HANDED,  
2 PCS REQUIRED

**SUB FOR:** BLOXWICH 10562  
**WORKS WITH:** 1401-2785 BRACKET  
**MATERIAL:** ANTI-GALL  
**FINISH:** SELF-COLOR **WEIGHT:** 0.02 LBS / 0.01 Kg



# LOCKING ROD ASSEMBLY LEFT & RIGHT LOCKING



**DETAIL A  
BOTH ENDS**

ITEM NO.	QTY.	PART NO.
1	4	1401-2172 ANTI - RACK RING
2	1	1401-2177 HANDLE HUB
3	1	1401-2194 CAM LEFT
4	1	1401-2194 CAM RIGHT
5	1	1401-6204 TUBE

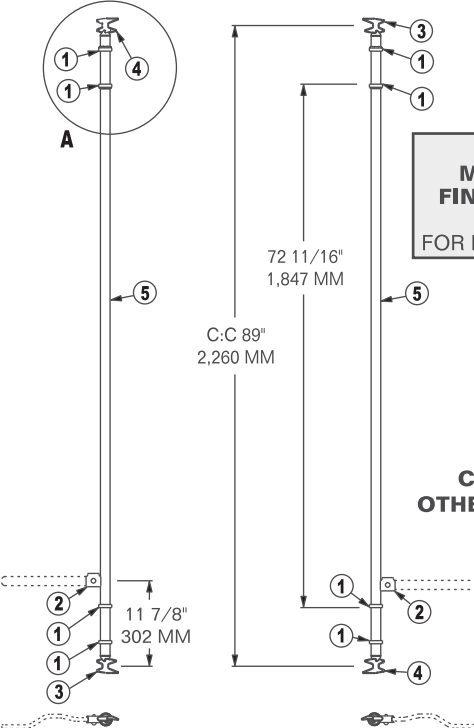
**MODEL 1401-2970-LL**  
**MODEL 1401-2970-RL**

**FOR 8' DRY ISO  
CONTAINERS**

**FITS:** 20', 40' ISO  
**MATERIAL:** STANDARD STEEL  
**FINISH:** HOT DIPPED GALVANIZED  
**WEIGHT:** 17.4 LBS / 7.89 Kg  
 FOR EACH 1401-2970-LL, 1401-2970-RL

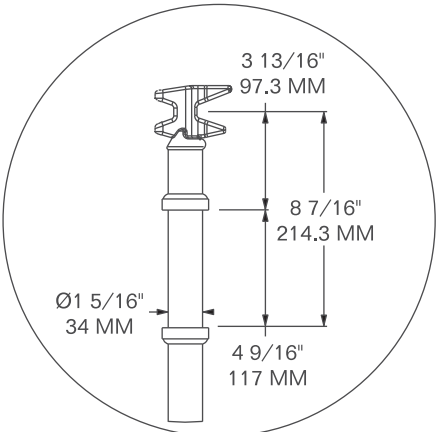
**HANDLE HUB WELDED.  
CUSTOMER TO FIT HANDLE.  
OTHERWISE SUPPLIED AS SHOWN.**

**SPECIAL ORDER**



**1401-2970-LL  
LOCKS TO THE LEFT**

**1401-2970-RL  
LOCKS TO THE RIGHT**



**DETAIL A  
BOTH ENDS**

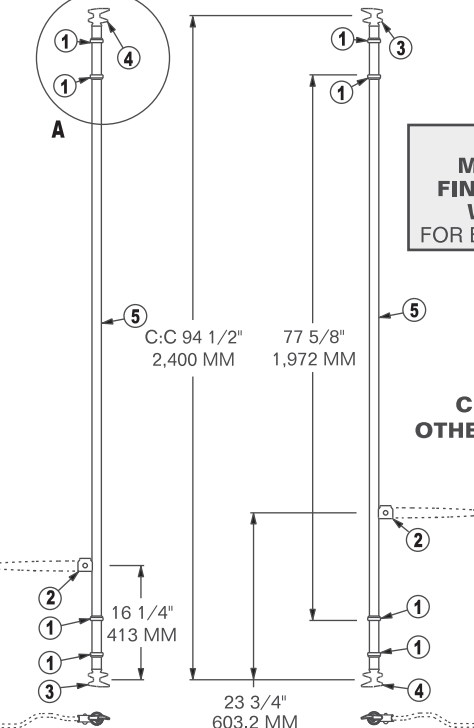
ITEM NO.	QTY.	PART NO. / DESCRIPTION
1	4	1401-2172 ANTI - RACK RING
2	1	1401-2177 HANDLE HUB
3	1	1401-2194 CAM LEFT
4	1	1401-2194 CAM RIGHT
5	1	1401-6204 TUBE

**MODEL 1401-2971-LL**  
**MODEL 1401-2971-RL**

**FOR 8' 6\" DRY ISO  
CONTAINERS**


**FITS:** 20', 40', 45' ISO  
**MATERIAL:** STANDARD STEEL  
**FINISH:** HOT DIPPED GALVANIZED  
**WEIGHT:** 22.3 LBS / 10.12 Kg  
 FOR EACH 1401-2971-LL, 1401-2971-RL

**HANDLE HUB WELDED.  
CUSTOMER TO FIT HANDLE.  
OTHERWISE SUPPLIED AS SHOWN.**



**1401-2971-LL  
LOCKS TO THE LEFT**

**1401-2971-RL  
LOCKS TO THE RIGHT**

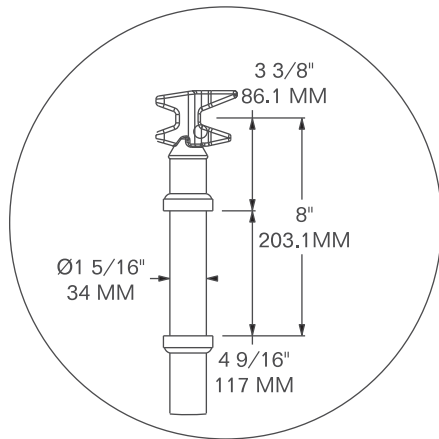


Toll Free 800-748-0555  
 Fax 800-530-9666  
 www.newlifeparts.com

05/28/15

148

# LOCKING ROD ASSEMBLY LEFT & RIGHT LOCKING

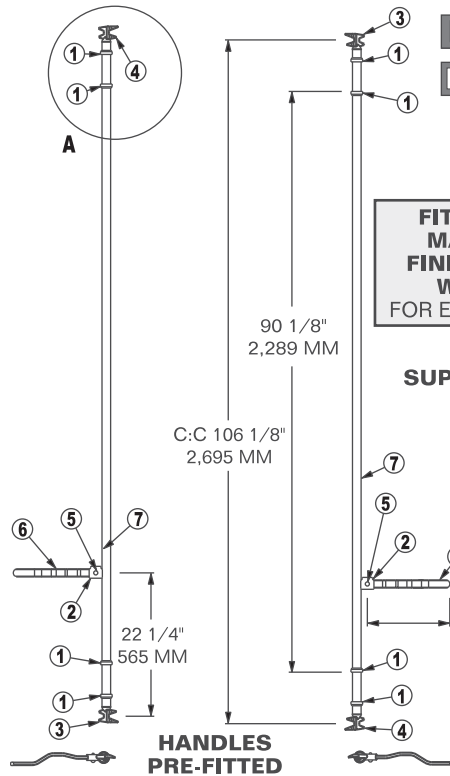


**DETAIL A - BOTH ENDS**

**PARTS LIST FOR 1401-2972-LL & 1401-2972-RL**

ITEM NO.	QTY.	PART NO.
1	4	1401-2172 ANTI - RACK RING
2	1	1401-2177 HANDLE HUB
3	1	1401-2194 CAM LEFT
4	1	1401-2194 CAM RIGHT
5	1	1401-2196 RIVET
6	1	1401-2585 HANDLE
7	1	1401-6204 TUBE

**1401-2972-LL  
LOCKS TO THE LEFT**



**MODEL 1401-2972-LL**

**MODEL 1401-2972-RL**

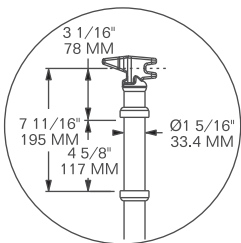
**FOR 9' 6\"/>**

**FITS:** 20', 40', 45' ISO HIGH CUBE  
**MATERIAL:** STANDARD STEEL  
**FINISH:** HOT DIPPED GALVANIZED  
**WEIGHT:** 19.30 LBS / 8.75 Kg  
 FOR EACH 1401-2972-LL, 1401-2972-RL

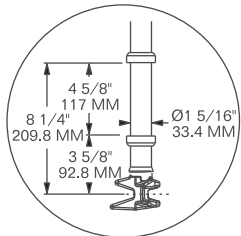
**SUPPLIED COMPLETE AS SHOWN**

**HANDLES  
PRE-FITTED**

**1401-2972-RL  
LOCKS TO THE RIGHT**



**DETAIL A**

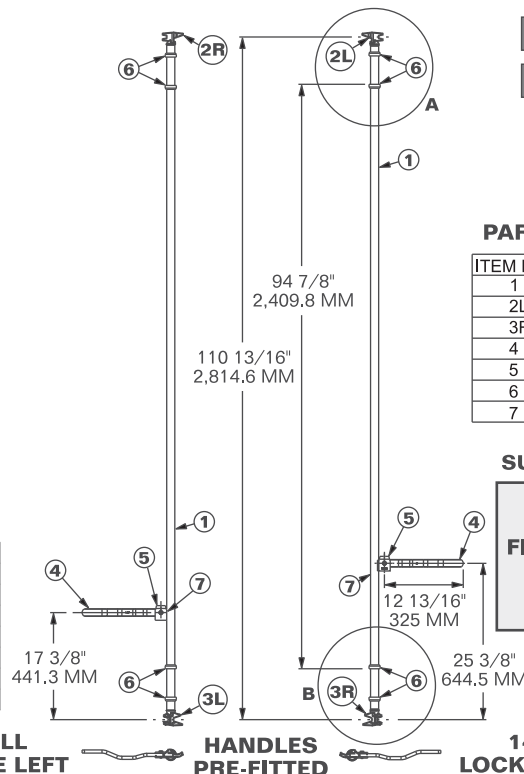


**DETAIL B**

**PARTS LIST FOR 1401-6895-LL**

ITEM NO.	QTY.	PART NO.
1	1	1401-6204 TUBE
2R	1	1401-6969-TR CAM
3L	1	1401-6968-BL CAM
4	1	1401-2585 HANDLE
5	1	1401-2586 HANDLE-HUB
6	4	1401-2172 ANTI RACK RING
7	1	1401-2196 RIVET

**1401-6895-LL  
LOCKS TO THE LEFT**



**MODEL 1401-6895-LL**

**MODEL 1401-6895-RL**

**FOR 48' & 53' CONTAINERS  
WITH 107\"/>**

**PARTS LIST FOR 1401-6895-RL**

ITEM NO.	QTY.	MODEL
1	1	1401-6204 TUBE
2L	1	1401-6969-TL CAM
3R	1	1401-6968-BR CAM
4	1	1401-2585 HANDLE
5	1	1401-2586 HANDLE-HUB
6	4	1401-2172 ANTI RACK RING
7	1	1401-2196 RIVET

**SUPPLIED COMPLETE AS SHOWN**

**FITS:** JINDO CONTAINERS  
**MATERIAL:** STANDARD STEEL  
**FINISH:** HOT DIPPED GALVANIZED  
**WEIGHT:** 20.0 LBS / 9.07 Kg  
 FOR EACH 1401-6895-LL,  
 1401-6895-RL

**HANDLES  
PRE-FITTED**

**1401-6895-RL  
LOCKS TO THE RIGHT**

# LOCKING ROD ASSEMBLY

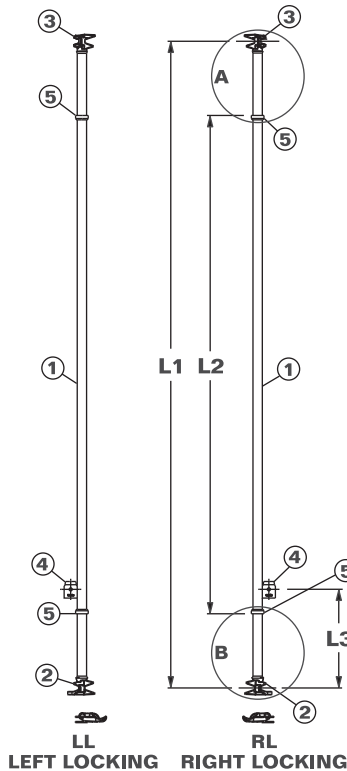
## LEFT & RIGHT LOCKING

### 8' 6" & 9' 6" ISO REEFERS

MODEL	SIZE	FITS	BRACKET TYPE	WEIGHT	L1	L2	L3
<b>1401-6658-LL/-RL</b>	8' 6"	HYUNDAI	1	18.00 LBS 8.16 Kg	92 5/8" 2,353 MM	71 3/8" 1,813 MM	14 1/8" 358.8 MM
<b>1401-6659-LL/-RL</b>	8' 6"	HYUNDAI	1	18.00 LBS 8.16 Kg	92 5/8" 2,353 MM	71 3/8" 1,813 MM	21 1/4" 539.8 MM
<b>1401-6660-LL</b>	8' 6"	FRUEHAUF	1	19.00 LBS 8.62 Kg	92 5/8" 2,353 MM	71 3/8" 1,813 MM	13 7/8" 352.4 MM
<b>1401-6660-RL</b>	8' 6"	FRUEHAUF	1	19.00 LBS 8.62 Kg	92 5/8" 2,353 MM	71 3/8" 1,813 MM	19 3/4" 501.7 MM
<b>1401-6663-LL/-RL</b>	9' 6"	HYUNDAI	1	20.00 LBS 9.07 Kg	105 5/16" 2,675 MM	84 1/16" 2,135 MM	14 5/16" 363.5 MM
<b>1401-6664-LL/-RL</b>	9' 6"	MCIQ	1	20.00 LBS 9.07 Kg	106 1/4" 2,699 MM	85" 2,159 MM	18 1/4" 463.6 MM
<b>1401-6665-LL/-RL</b>	9' 6"	SINGAMAS	1	20.00 LBS 9.07 Kg	106 1/16" 2,694 MM	84 13/16" 2,154 MM	21 1/2" 546.1 MM
<b>1401-6666-LL</b>	9' 6"	FRUEHAUF	1	21.00 LBS 9.53 Kg	106 3/16" 2,697 MM	84 15/16" 2,157 MM	13 7/8" 352.4 MM
<b>1401-6666-RL</b>	9' 6"	FRUEHAUF	1	21.00 LBS 9.53 Kg	106 3/16" 2,697 MM	84 15/16" 2,157 MM	19 3/4" 501.7 MM
<b>1401-6667-LL/-RL</b>	9' 6"	CIMC	2	21.00 LBS 9.53 Kg	105 1/8" 2,670 MM	83 7/8" 2,130 MM	19 3/4" 501.7 MM
<b>1401-6684-RL-L/-LL-R</b>	9' 6"	CIMC	2	22.4 LBS 10.16 Kg	105 1/4" 2,673 MM	84" 2,133 MM	21 9/16" 548 MM
<b>1401-6684-RL-R/-LL-L</b>	9' 6"	CIMC	2	22.4 LBS 10.16 Kg	105 1/4" 2,673 MM	84" 2,133 MM	14 1/2" 368 MM

**NOTE:** RL = RIGHT LOCKING, LL = LEFT LOCKING  
-R = FITTED ON RIGHT DOOR, -L = FITTED ON LEFT DOOR

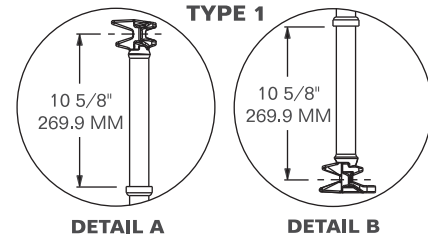
**MATERIAL:** STANDARD STEEL  
**FINISH:** HOT DIPPED GALVANIZED



#### TYPE 1

ITEM NO.	QTY.	PART NO.
1	1	1401-2971 PIPE, LOCK ROD
2	1	1401-1992-L CAM W/ SECURITY HOLE
3	1	1401-6968-R CAM
4	1	1401-2586 HANDLE HUB BRACKET
5	2	1401-2172 ANTI-RACK RING

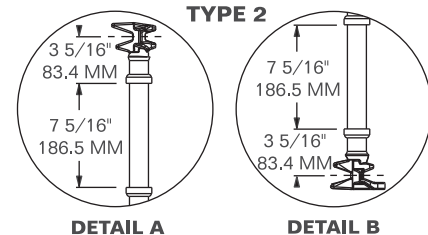
**TYPE 1 LOCKRODS ARE DESIGNED FOR 6-HOLE BEARING BRACKET WITH CRIMPED END (OLD STYLE) (BUI # 1401-2542) HENCE ONLY ONE ANTI-RACK RING AT EACH END.**



#### TYPE 2

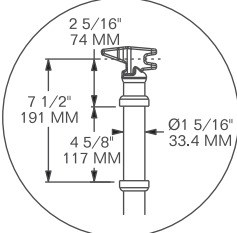
ITEM NO.	QTY.	PART NO.
1	1	1401-2971 PIPE, LOCK ROD
2	1	1401-1992-L CAM W/ SECURITY HOLE
3	1	1401-6968-R CAM
4	1	1401-2586 HANDLE HUB BRACKET
5	4	1401-2172 ANTI-RACK RING

**TYPE 2 LOCKRODS ARE DESIGNED FOR 6-HOLE BEARING BRACKET WITHOUT CRIMPED END (NEW STYLE) (BUI # 1401-7030) HENCE TWO ANTI-RACK RINGS AT EACH END.**

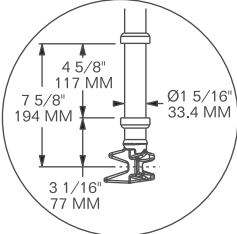




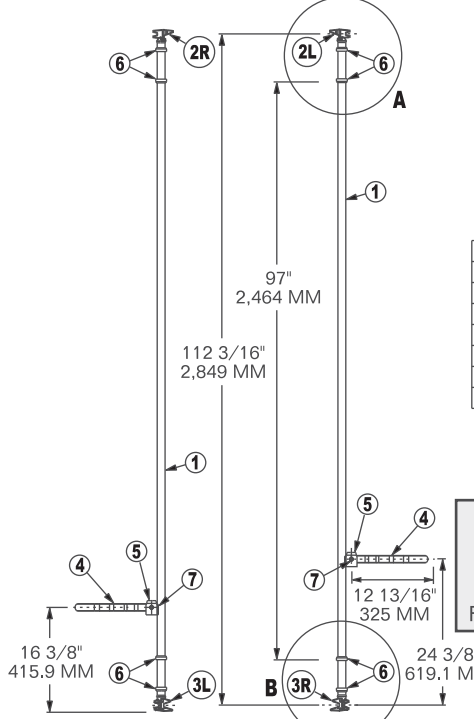
# LOCKING ROD ASSEMBLY LEFT & RIGHT LOCKING



**DETAIL A**



**DETAIL B**



**1401-6896-LL  
LOCKS TO THE LEFT**

**HANDLES  
PRE-FITTED**

**1401-6896-RL  
LOCKS TO THE RIGHT**

**MODEL 1401-6896-LL**

**MODEL 1401-6896-RL**

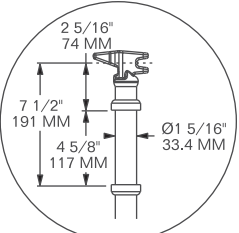
**FOR 53' CONTAINERS  
WITH 110\"**

**PARTS LIST FOR 1401-6896-RL**

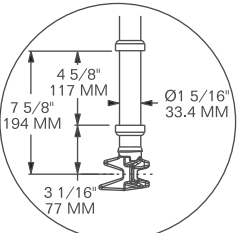
ITEM NO.	QTY.	PART NO.
1	1	1401-6204 TUBE
2L	1	1401-6969-TL CAM
3R	1	1401-6968-BR CAM
4	1	1401-2585 HANDLE
5	1	1401-2586 HANDLE-HUB
6	4	1401-2172 ANTI RACK RING
7	1	1401-2196 RIVET

**SUPPLIED COMPLETE AS SHOWN**

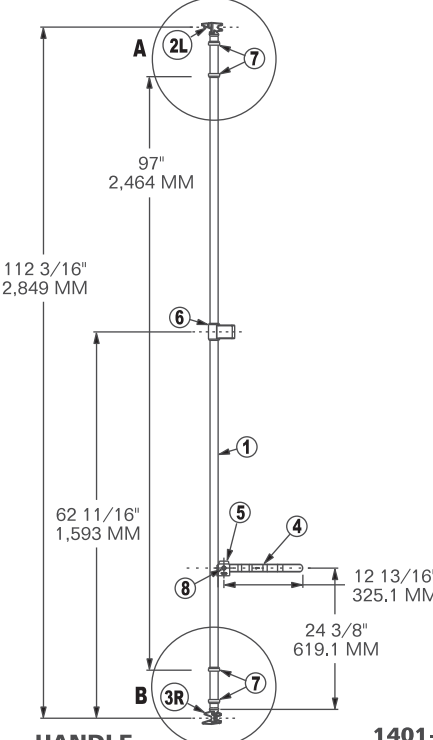
**FITS:** JINDO CONTAINERS  
**MATERIAL:** STANDARD STEEL  
**FINISH:** HOT DIPPED GALVANIZED  
**WEIGHT:** 20.0 LBS / 9.07 Kg  
 FOR EACH 1401-6896-LL, 1401-6896-RL



**DETAIL A**



**DETAIL B**



**1401-6897-RL  
LOCKS TO THE RIGHT**

**HANDLE  
PRE-FITTED**

**MODEL 1401-6897-RL**

**FOR 53' CONTAINERS  
WITH 110\"**

**WITH SECONDARY LOCK**

**FITS:** JINDO CONTAINERS  
**MATERIAL:** STANDARD STEEL  
**FINISH:** HOT DIPPED GALVANIZED  
**WEIGHT:** 22.0 LBS / 9.98 Kg

**SUPPLIED COMPLETE AS SHOWN**

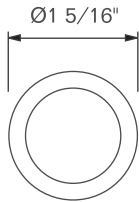
**ONLY RIGHT LOCKING LOCK ROD  
HAS SECONDARY LOCK  
COMBINE THIS ROD WITH  
1401-6896-LL**

# LOCK ROD PIPE

**MODEL 1401-6204-111**

**MODEL 1401-6204-120**

**LOCK ROD PIPE**

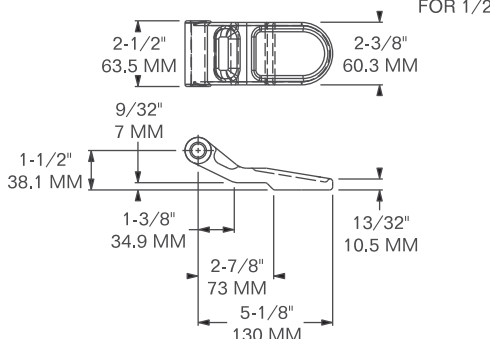


**1401-6204-111**  
**LENGTH:** 111" / 2,819 MM  
**MATERIAL:** STEEL  
**FINISH:** GALVANIZED  
**WEIGHT:** 16.8 LBS / 7.61 Kg

**1401-6204-120**  
**LENGTH:** 120" / 3,048 MM  
**MATERIAL:** STEEL  
**FINISH:** GALVANIZED  
**WEIGHT:** 18.15 LBS / 8.23 Kg



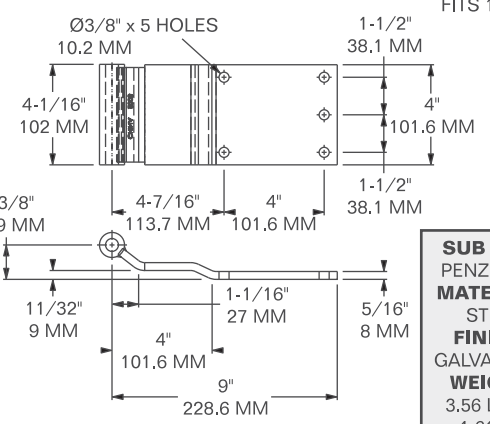
**MODEL 1402-1650**  
WITH NYLON INSERT BUSHING  
FOR 1/2" PIN



2-1/2" 63.5 MM  
2-3/8" 60.3 MM  
9/32" 7 MM  
1-1/2" 38.1 MM  
1-3/8" 34.9 MM  
2-7/8" 73 MM  
5-1/8" 130 MM  
13/32" 10.5 MM

**MATERIAL:** STEEL **FINISH:** ZINC PLATED  
**WEIGHT:** 1.85 LBS / 0.84 Kg

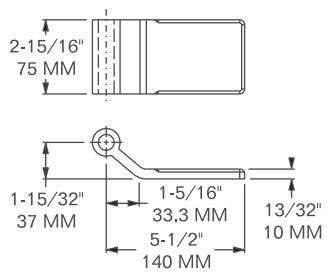
**MODEL 1402-2003**  
FITS 1/2" PIN



Ø3/8" x 5 HOLES  
10.2 MM  
1-1/2" 38.1 MM  
4-1/16" 102 MM  
4-7/16" 113.7 MM  
4" 101.6 MM  
1-3/8" 34.9 MM  
1-1/2" 38.1 MM  
1-1/16" 27 MM  
5/16" 8 MM  
11/32" 9 MM  
4" 101.6 MM  
9" 228.6 MM

**SUB FOR:** PENZ 60-09  
**MATERIAL:** STEEL  
**FINISH:** GALVANIZED  
**WEIGHT:** 3.56 LBS / 1.61 Kg

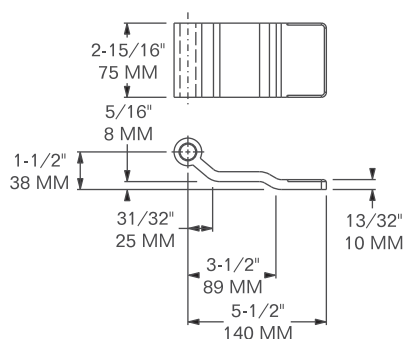
**MODEL 1402-2199**  
WITH NYLON INSERT BUSHING  
FOR 1/2" PIN



2-15/16" 75 MM  
1-15/32" 37 MM  
1-5/16" 33.3 MM  
5-1/2" 140 MM  
13/32" 10 MM

**SUB FOR:** H-410 **MATERIAL:** STEEL  
**FINISH:** ZINC PLATED **WEIGHT:** 2.24 LBS / 1.02 Kg

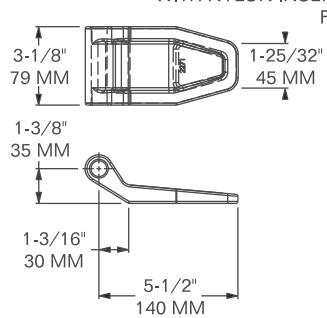
**MODEL 1402-2200**  
WITH NYLON INSERT BUSHING  
FOR 1/2" PIN



2-15/16" 75 MM  
5/16" 8 MM  
1-1/2" 38 MM  
31/32" 25 MM  
3-1/2" 89 MM  
5-1/2" 140 MM  
13/32" 10 MM

**SUB FOR:** H-704 **MATERIAL:** STEEL  
**FINISH:** ZINC PLATED **WEIGHT:** 2.18 LBS / 0.99 Kg

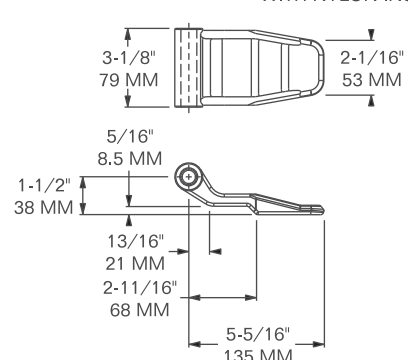
**MODEL 1402-2271**  
WITH NYLON INSERT BUSHING  
FOR 1/2" PIN



3-1/8" 79 MM  
1-25/32" 45 MM  
1-3/8" 35 MM  
1-3/16" 30 MM  
5-1/2" 140 MM

**SUB FOR:** HF-900 **MATERIAL:** STEEL  
**FINISH:** ZINC PLATED **WEIGHT:** 2.15 LBS / 0.98 Kg

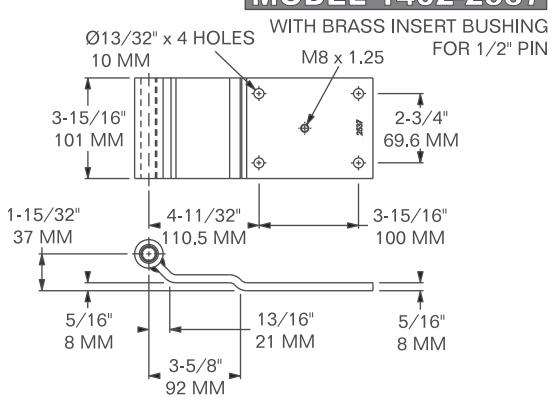
**MODEL 1402-2274**  
WITH NYLON INSERT BUSHING  
FOR 1/2" PIN



3-1/8" 79 MM  
2-1/16" 53 MM  
5/16" 8.5 MM  
1-1/2" 38 MM  
13/16" 21 MM  
2-11/16" 68 MM  
5-5/16" 135 MM

**SUB FOR:** HF-005 **MATERIAL:** STEEL  
**FINISH:** ZINC PLATED **WEIGHT:** 2.2 LBS / 1.0 Kg

**MODEL 1402-2537**  
WITH BRASS INSERT BUSHING FOR 1/2" PIN



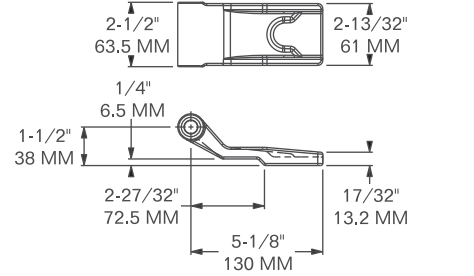
$\text{Ø}13/32" \times 4$  HOLES 10 MM  
 M8 x 1.25  
 3-15/16" 101 MM  
 2-3/4" 69.6 MM  
 1-15/32" 37 MM  
 4-11/32" 110.5 MM  
 3-15/16" 100 MM  
 5/16" 8 MM  
 13/16" 21 MM  
 5/16" 8 MM  
 3-5/8" 92 MM

**SUB FOR:** H-709 **MATERIAL:** STEEL  
**FINISH:** GALVANIZED **WEIGHT:** 3.90 LBS / 1.77 Kg

**1402-2538 SUB FOR:** BLOXWICH 11026  
**1402-2538-B SUB FOR:** BCP-11026  
**MATERIAL:** STEEL  
**FINISH:** ZINC PLATED  
**WEIGHT:** 2.11 LBS / 0.96 Kg

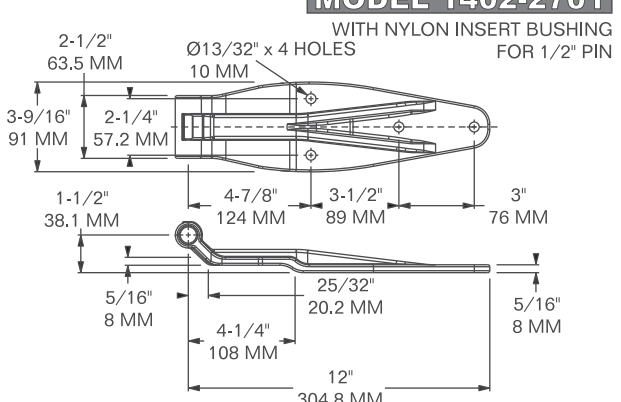
**MODEL 1402-2538**  
WITH NYLON INSERT BUSHING FOR 1/2" PIN

**MODEL 1402-2538-B**  
WITH BRASS INSERT BUSHING FOR 1/2" PIN



2-1/2" 63.5 MM  
 2-13/32" 61 MM  
 1/4" 6.5 MM  
 1-1/2" 38 MM  
 2-27/32" 72.5 MM  
 17/32" 13.2 MM  
 5-1/8" 130 MM

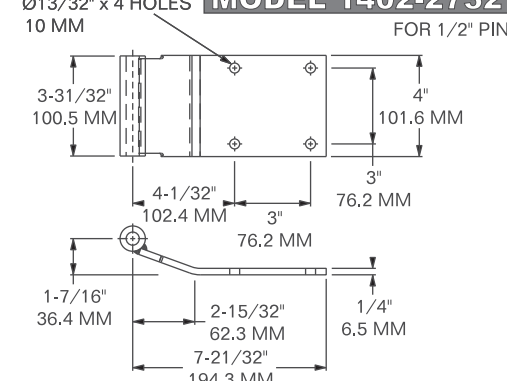
**MODEL 1402-2701**  
WITH NYLON INSERT BUSHING FOR 1/2" PIN



$\text{Ø}13/32" \times 4$  HOLES 10 MM  
 2-1/2" 63.5 MM  
 3-9/16" 91 MM  
 2-1/4" 57.2 MM  
 1-1/2" 38.1 MM  
 4-7/8" 124 MM  
 3-1/2" 89 MM  
 3" 76 MM  
 5/16" 8 MM  
 25/32" 20.2 MM  
 5/16" 8 MM  
 4-1/4" 108 MM  
 12" 304.8 MM

**SUB FOR:** BCP-10045 **MATERIAL:** STEEL  
**FINISH:** ZINC PLATED **WEIGHT:** 3.80 LBS / 1.72 Kg

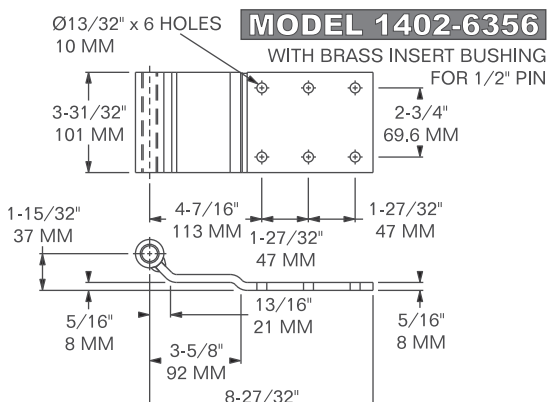
**MODEL 1402-2732**  
FOR 1/2" PIN



$\text{Ø}13/32" \times 4$  HOLES 10 MM  
 3-31/32" 100.5 MM  
 4" 101.6 MM  
 4-1/32" 102.4 MM  
 3" 76.2 MM  
 3" 76.2 MM  
 1-7/16" 36.4 MM  
 2-15/32" 62.3 MM  
 1/4" 6.5 MM  
 7-21/32" 194.3 MM

**SUB FOR:** PENZ 60-04, FRUEHAUF DCF 3980-1, FLEET 023-00567  
**MATERIAL:** STEEL **FINISH:** GALVANIZED  
**WEIGHT:** 2.70 LBS / 1.22 Kg

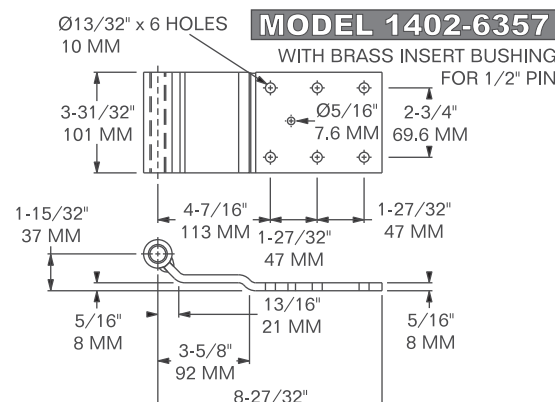
**MODEL 1402-6356**  
WITH BRASS INSERT BUSHING FOR 1/2" PIN



$\text{Ø}13/32" \times 6$  HOLES 10 MM  
 3-31/32" 101 MM  
 2-3/4" 69.6 MM  
 1-15/32" 37 MM  
 4-7/16" 113 MM  
 1-27/32" 47 MM  
 1-27/32" 47 MM  
 5/16" 8 MM  
 13/16" 21 MM  
 5/16" 8 MM  
 3-5/8" 92 MM  
 8-27/32" 225 MM

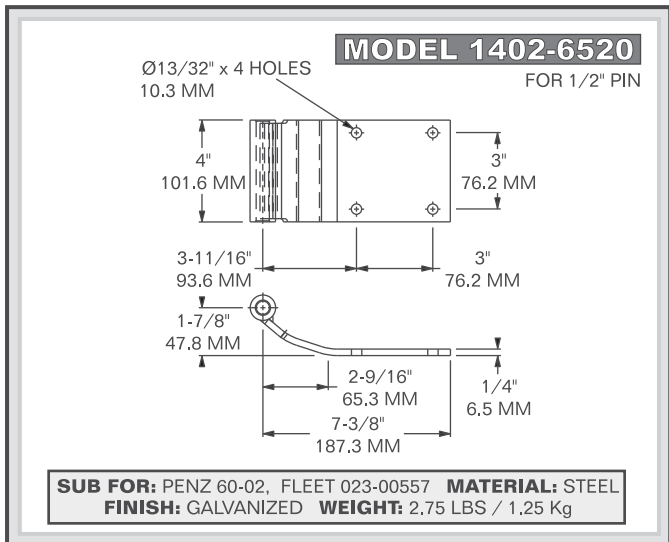
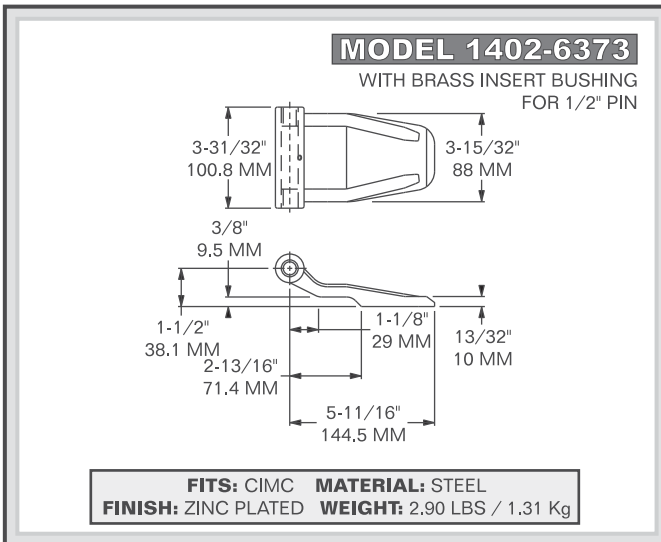
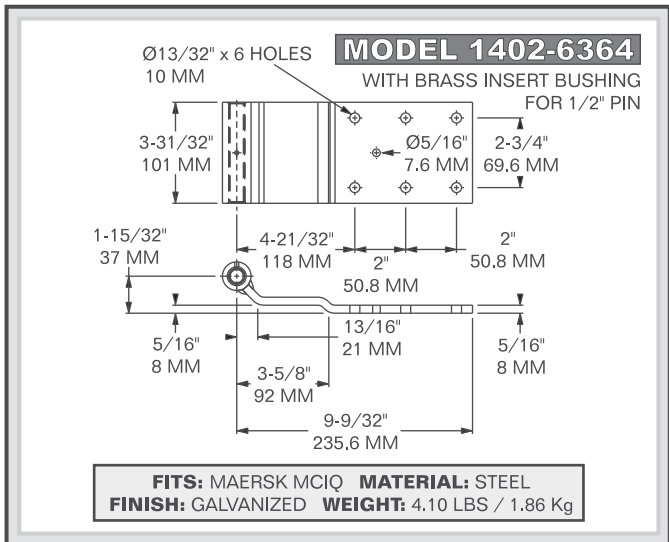
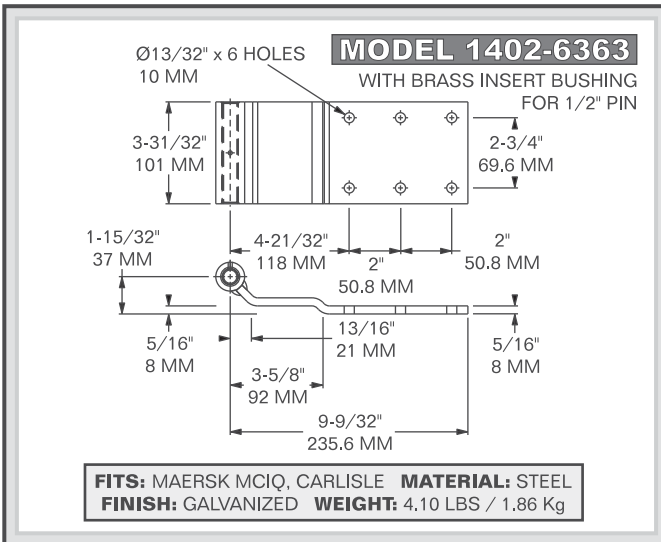
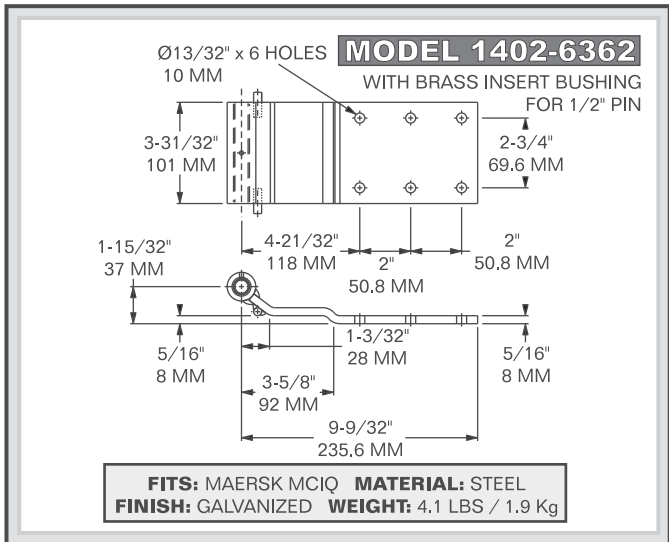
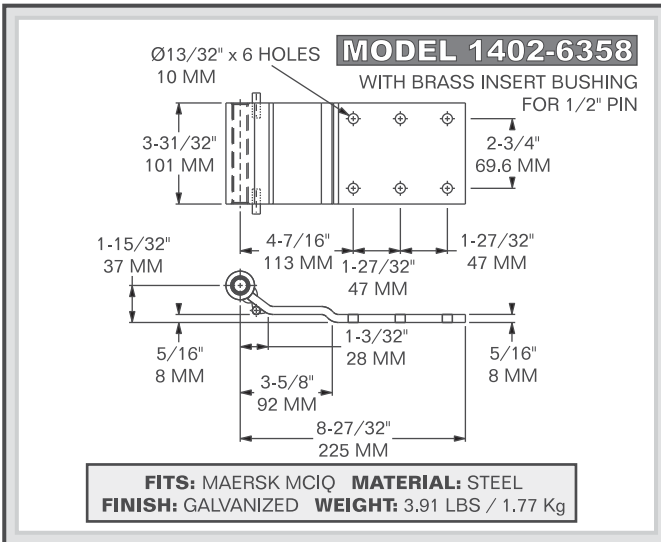
**FITS:** MAERSK MCIQ **MATERIAL:** STEEL  
**FINISH:** GALVANIZED **WEIGHT:** 3.76 LBS / 1.71 Kg

**MODEL 1402-6357**  
WITH BRASS INSERT BUSHING FOR 1/2" PIN

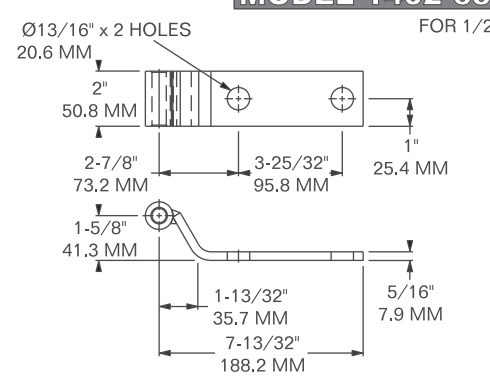


$\text{Ø}13/32" \times 6$  HOLES 10 MM  
 3-31/32" 101 MM  
 $\text{Ø}5/16" 7.6$  MM  
 2-3/4" 69.6 MM  
 1-15/32" 37 MM  
 4-7/16" 113 MM  
 1-27/32" 47 MM  
 1-27/32" 47 MM  
 5/16" 8 MM  
 13/16" 21 MM  
 5/16" 8 MM  
 3-5/8" 92 MM  
 8-27/32" 225 MM

**FITS:** MAERSK MCIQ **MATERIAL:** STEEL  
**FINISH:** GALVANIZED **WEIGHT:** 3.90 LBS / 1.77 Kg



**MODEL 1402-6521**  
FOR 1/2" PIN



Ø13/16" x 2 HOLES  
20.6 MM

2" 50.8 MM

2-7/8" 73.2 MM

3-25/32" 95.8 MM

1" 25.4 MM

1-5/8" 41.3 MM

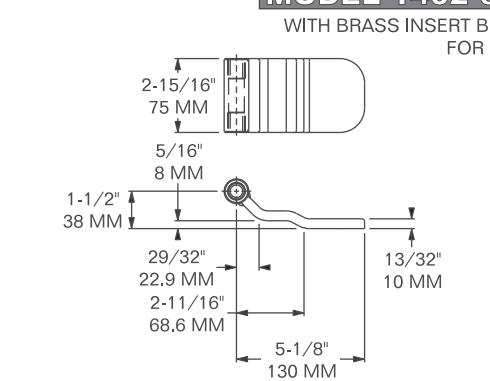
1-13/32" 35.7 MM

7-13/32" 188.2 MM

5/16" 7.9 MM

**SUB FOR:** PENZ 60-01, FLEET 022-00013, FRUEHAUF DXA-0687  
**MATERIAL:** STEEL **FINISH:** ZINC PLATED  
**WEIGHT:** 1.55 LBS / 0.70 Kg

**MODEL 1402-6873**  
WITH BRASS INSERT BUSHING  
FOR 1/2" PIN



2-15/16" 75 MM

5/16" 8 MM

1-1/2" 38 MM

29/32" 22.9 MM

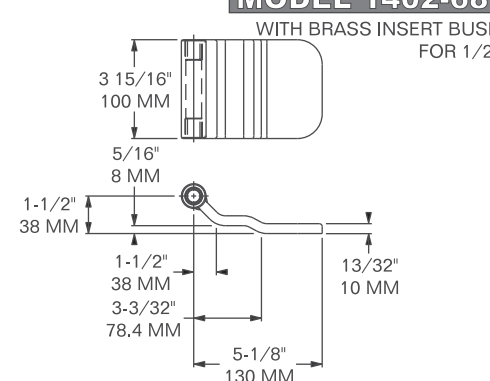
2-11/16" 68.6 MM

5-1/8" 130 MM

13/32" 10 MM

**SUB FOR:** JINDO R26112-3811 **FITS:** JINDO 48"  
**MATERIAL:** STEEL **FINISH:** ZINC PLATED  
**WEIGHT:** 1.75 LBS / 0.79 Kg

**MODEL 1402-6874**  
WITH BRASS INSERT BUSHING  
FOR 1/2" PIN



3 15/16" 100 MM

5/16" 8 MM

1-1/2" 38 MM

1-1/2" 38 MM

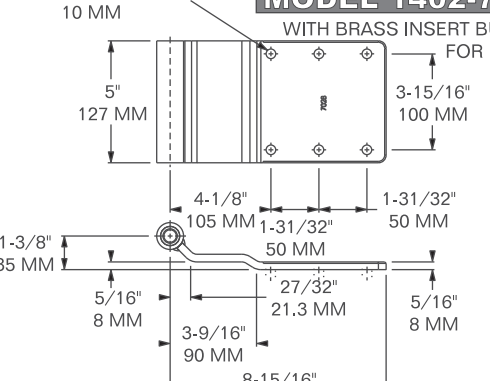
3-3/32" 78.4 MM

5-1/8" 130 MM

13/32" 10 MM

**SUB FOR:** JINDO R26112-3828 **FITS:** JINDO 48", 53"  
**MATERIAL:** STEEL **FINISH:** ZINC PLATED  
**WEIGHT:** 2.68 LBS / 1.22 Kg

**MODEL 1402-7028**  
WITH BRASS INSERT BUSHING  
FOR 1/2" PIN



Ø13/32" x 6 HOLES  
10 MM

5" 127 MM

3-15/16" 100 MM

4-1/8" 105 MM

1-31/32" 50 MM

1-3/8" 35 MM

5/16" 8 MM

3-9/16" 90 MM

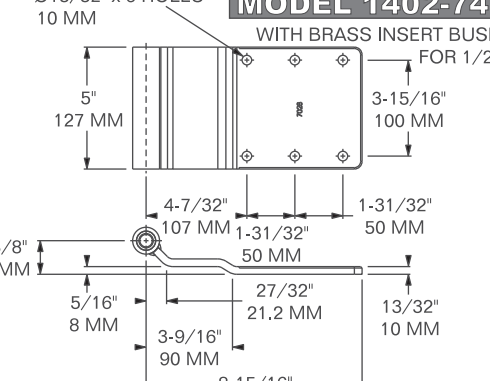
27/32" 21.3 MM

8-15/16" 227 MM

5/16" 8 MM

**FITS:** SINGAMAS 40' REEFER **MATERIAL:** STEEL  
**FINISH:** GALVANIZED **WEIGHT:** 4.81 LBS / 2.18 Kg

**MODEL 1402-7475**  
WITH BRASS INSERT BUSHING  
FOR 1/2" PIN



Ø13/32" x 6 HOLES  
10 MM

5" 127 MM

3-15/16" 100 MM

4-7/32" 107 MM

1-31/32" 50 MM

1-3/8" 35 MM

5/16" 8 MM

3-9/16" 90 MM

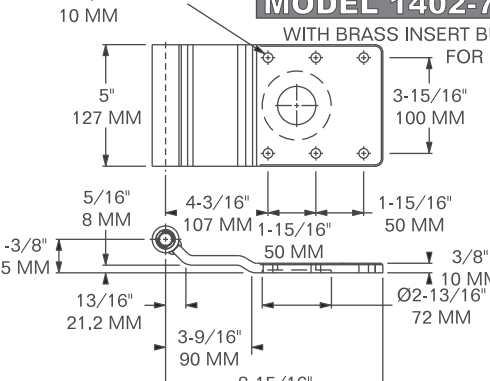
27/32" 21.2 MM

8-15/16" 227 MM

13/32" 10 MM

**FITS:** CIMC **MATERIAL:** STEEL  
**FINISH:** GALVANIZED **WEIGHT:** 5.44 LBS / 2.47 Kg

**MODEL 1402-7476**  
WITH BRASS INSERT BUSHING  
FOR 1/2" PIN



Ø13/32" x 6 HOLES  
10 MM

5" 127 MM

3-15/16" 100 MM

4-3/16" 107 MM

1-15/16" 50 MM

1-3/8" 35 MM

5/16" 8 MM

13/16" 21.2 MM

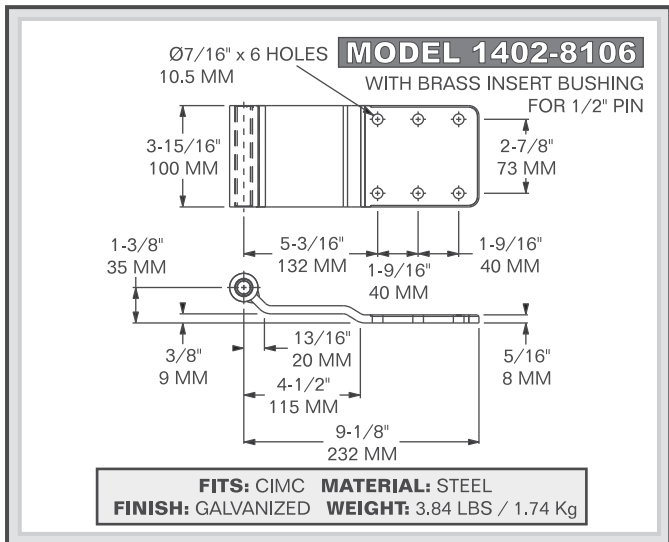
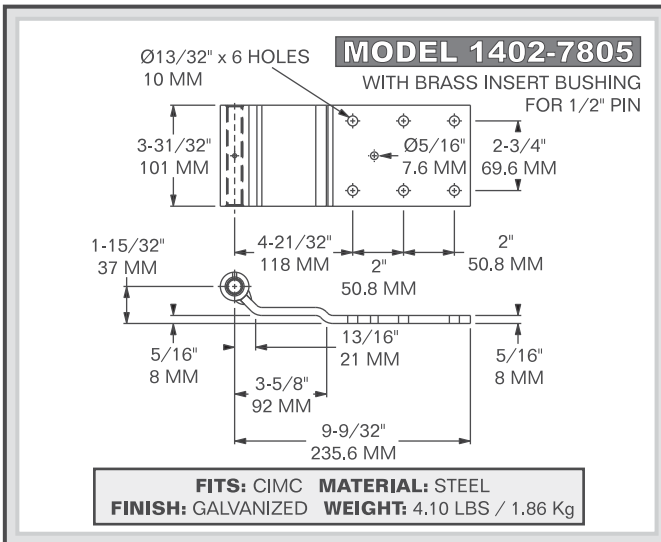
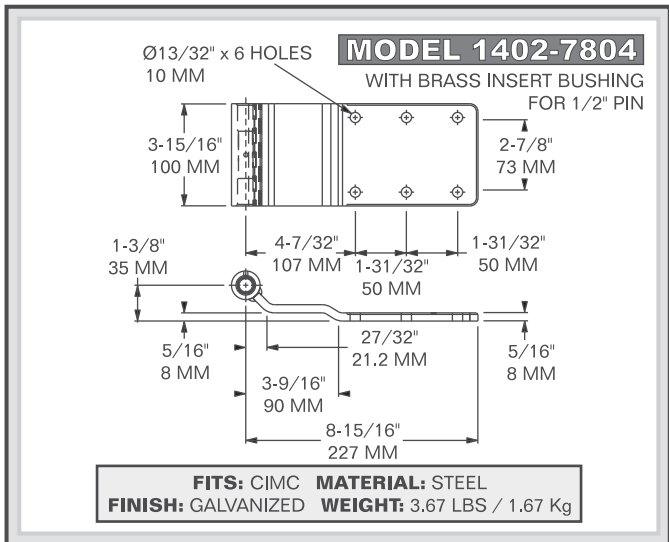
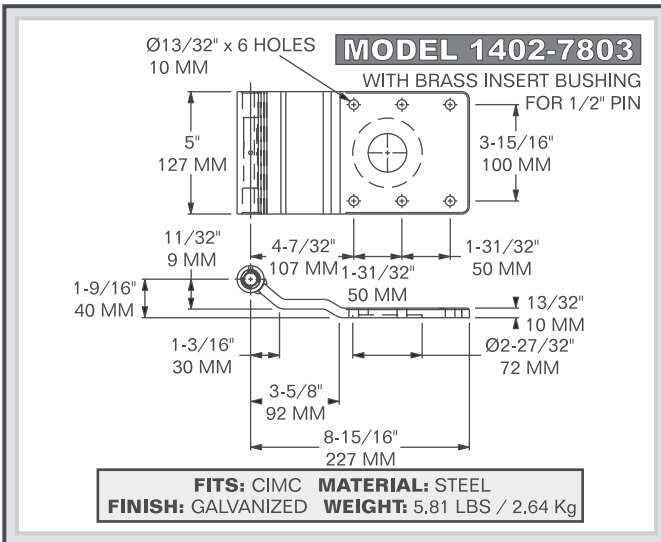
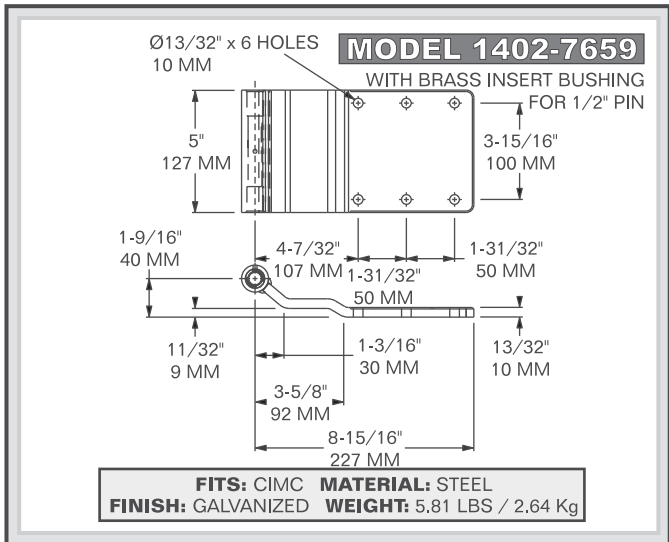
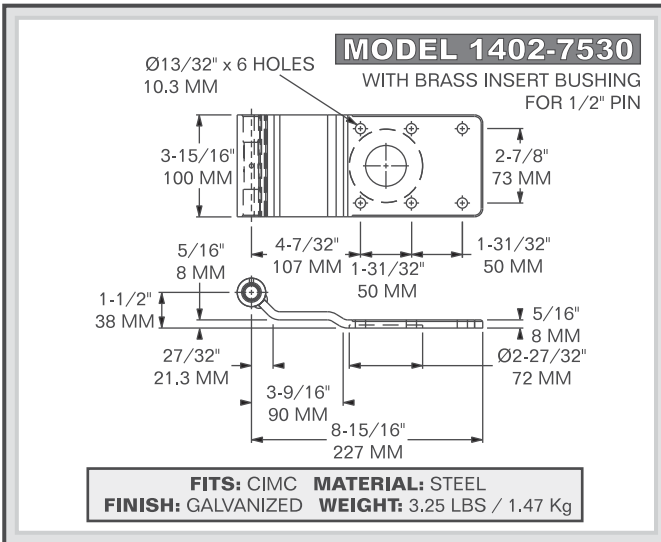
3-9/16" 90 MM

8-15/16" 227 MM

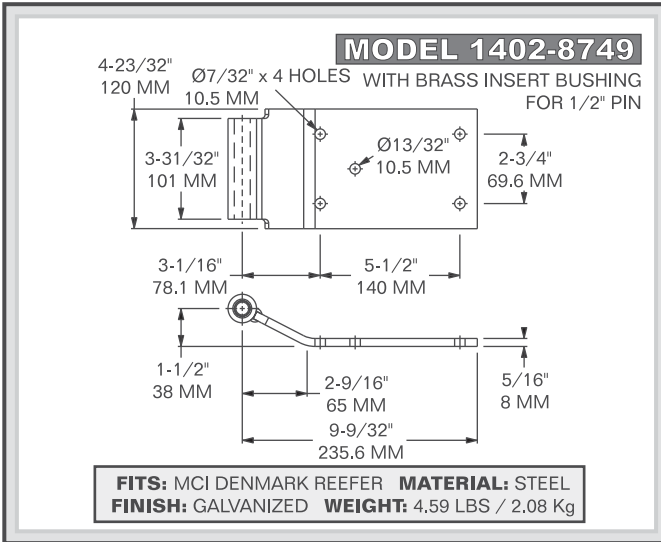
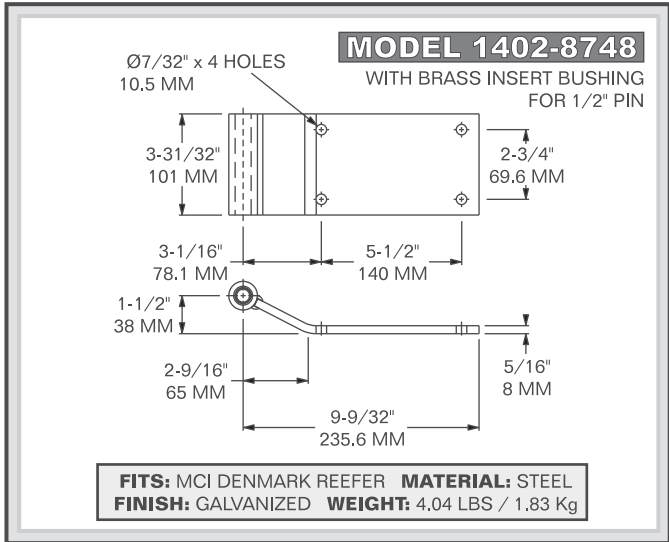
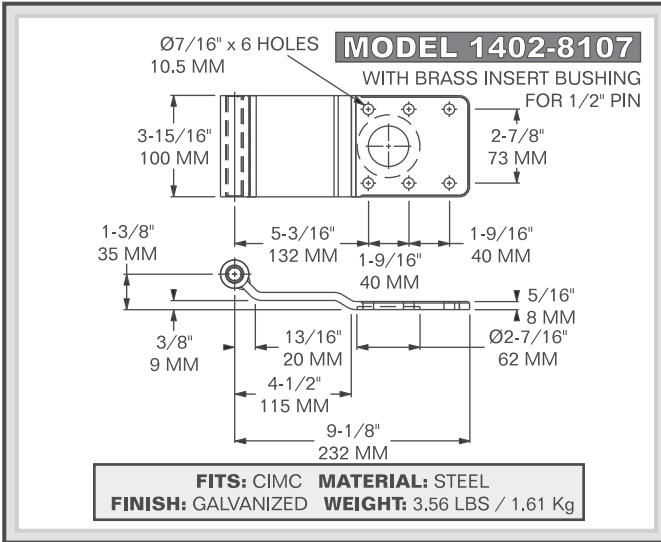
3/8" 10 MM

Ø2-13/16" 72 MM

**FITS:** CIMC **MATERIAL:** STEEL  
**FINISH:** GALVANIZED **WEIGHT:** 5.44 LBS / 2.47 Kg

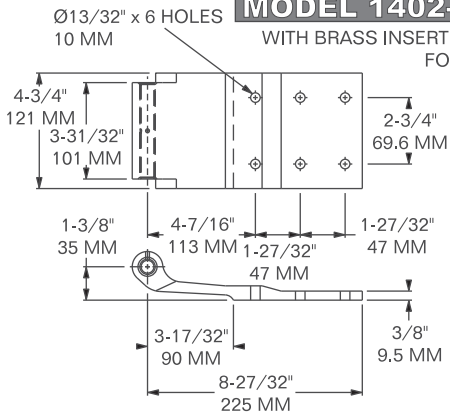


# DOOR HARDWARE STEEL HINGES



# DOOR HARDWARE ALUMINUM HINGES

**MODEL 1402-6359**  
WITH BRASS INSERT BUSHING FOR 1/2" PIN



Ø13/32" x 6 HOLES  
10 MM

4-3/4" 121 MM  
3-31/32" 101 MM

2-3/4" 69.6 MM

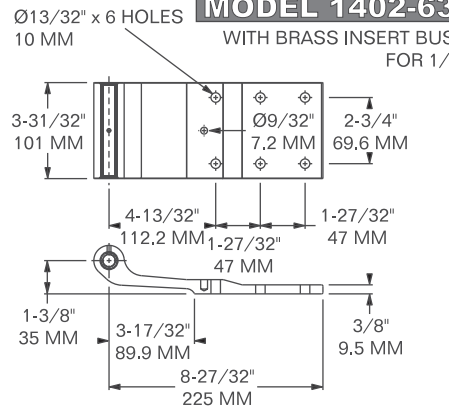
1-3/8" 35 MM  
4-7/16" 113 MM  
1-27/32" 47 MM

3-17/32" 90 MM  
8-27/32" 225 MM

3/8" 9.5 MM

**SUB FOR:** MAERSK MCIQ **MATERIAL:** ALUMINUM  
**FINISH:** SELF-COLOR **WEIGHT:** 2.17 LBS / 0.98 Kg

**MODEL 1402-6360**  
WITH BRASS INSERT BUSHING FOR 1/2" PIN



Ø13/32" x 6 HOLES  
10 MM

3-31/32" 101 MM

Ø9/32" 7.2 MM

2-3/4" 69.6 MM

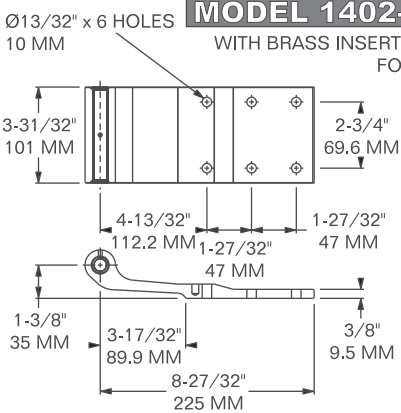
4-13/32" 112.2 MM  
1-27/32" 47 MM

1-3/8" 35 MM  
3-17/32" 89.9 MM  
8-27/32" 225 MM

3/8" 9.5 MM

**SUB FOR:** MAERSK MCIQ **MATERIAL:** ALUMINUM  
**FINISH:** SELF-COLOR **WEIGHT:** 1.87 LBS / 0.85 Kg

**MODEL 1402-6361**  
WITH BRASS INSERT BUSHING FOR 1/2" PIN



Ø13/32" x 6 HOLES  
10 MM

3-31/32" 101 MM

2-3/4" 69.6 MM

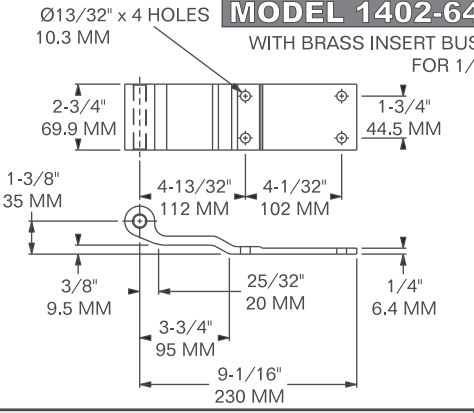
4-13/32" 112.2 MM  
1-27/32" 47 MM

1-3/8" 35 MM  
3-17/32" 89.9 MM  
8-27/32" 225 MM

3/8" 9.5 MM

**SUB FOR:** MAERSK MCIQ **MATERIAL:** ALUMINUM  
**FINISH:** SELF-COLOR **WEIGHT:** 1.88 LBS / 0.85 Kg

**MODEL 1402-6473**  
WITH BRASS INSERT BUSHING FOR 1/2" PIN



Ø13/32" x 4 HOLES  
10.3 MM

2-3/4" 69.9 MM

1-3/4" 44.5 MM

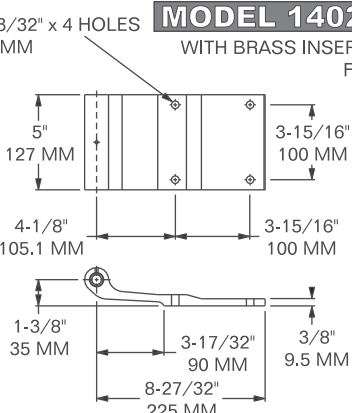
1-3/8" 35 MM  
4-13/32" 112 MM  
4-1/32" 102 MM

3/8" 9.5 MM  
25/32" 20 MM  
3-3/4" 95 MM  
9-1/16" 230 MM

1/4" 6.4 MM

**SUB FOR:** WABASH, FLEET ENGINEERS, FLEETPRIDE  
**MATERIAL:** ALUMINUM **FINISH:** SELF-COLOR  
**WEIGHT:** 1.02 LBS / 0.46 Kg

**MODEL 1402-7411**  
WITH BRASS INSERT BUSHING FOR 1/2" PIN



Ø13/32" x 4 HOLES  
10 MM

5" 127 MM

3-15/16" 100 MM

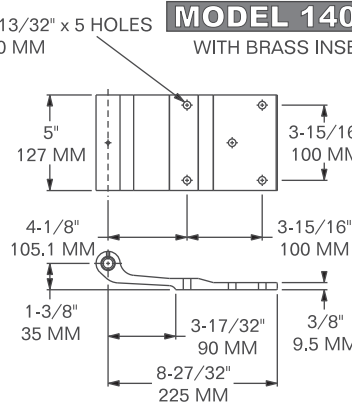
4-1/8" 105.1 MM  
3-15/16" 100 MM

1-3/8" 35 MM  
3-17/32" 90 MM  
8-27/32" 225 MM

3/8" 9.5 MM

**SUB FOR:** CIMC **MATERIAL:** ALUMINUM  
**FINISH:** SELF-COLOR **WEIGHT:** 2.39 LBS / 1.08 Kg

**MODEL 1402-7412**  
WITH BRASS INSERT BUSHING FOR 1/2" PIN



Ø13/32" x 5 HOLES  
10 MM

5" 127 MM

3-15/16" 100 MM

4-1/8" 105.1 MM  
3-15/16" 100 MM

1-3/8" 35 MM  
3-17/32" 90 MM  
8-27/32" 225 MM

3/8" 9.5 MM

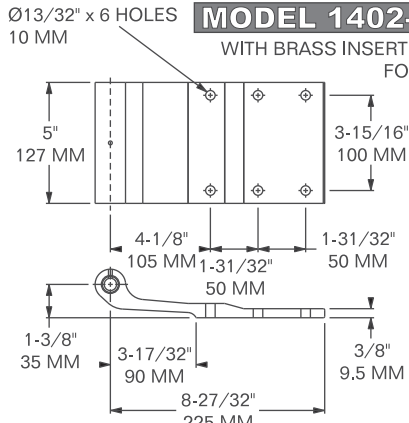
**FITS:** CIMC **MATERIAL:** ALUMINUM  
**FINISH:** SELF-COLOR **WEIGHT:** 2.47 LBS / 1.12 Kg



# DOOR HARDWARE ALUMINUM HINGES

**MODEL 1402-7413**  
WITH BRASS INSERT BUSHING  
FOR 1/2" PIN

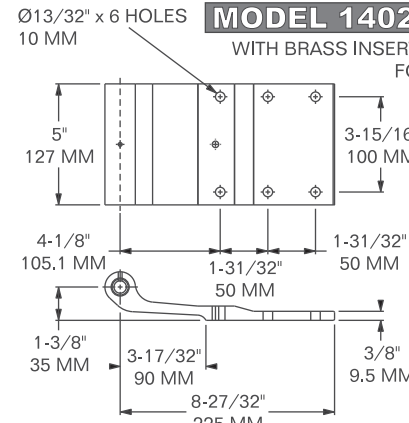
Ø13/32" x 6 HOLES  
10 MM



**FITS:** CIMC REEFER CONTAINER **MATERIAL:** ALUMINUM  
**FINISH:** SELF-COLOR **WEIGHT:** 2.47 LBS / 1.12 Kg

**MODEL 1402-7414**  
WITH BRASS INSERT BUSHING  
FOR 1/2" PIN

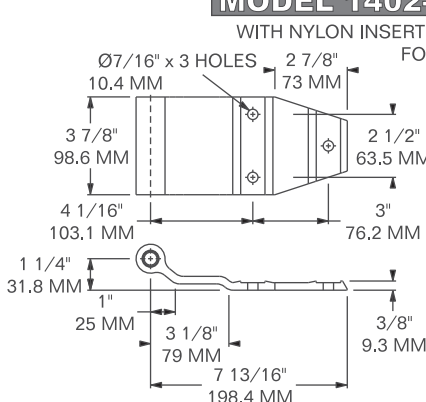
Ø13/32" x 6 HOLES  
10 MM



**FITS:** CIMC REEFER CONTAINER **MATERIAL:** ALUMINUM  
**FINISH:** SELF-COLOR **WEIGHT:** 2.46 LBS / 1.12 Kg

**MODEL 1402-7495**  
WITH NYLON INSERT BUSHING  
FOR 1/2" PIN

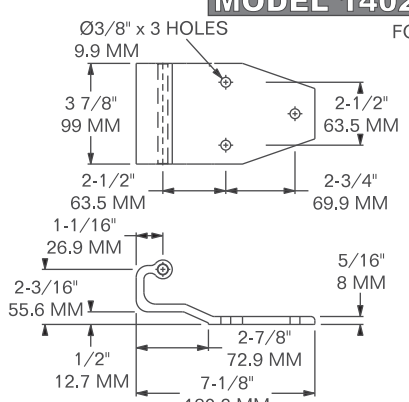
Ø7/16" x 3 HOLES  
10.4 MM



**FITS:** GREAT DANE **MATERIAL:** ALUMINUM  
**FINISH:** SELF-COLOR **WEIGHT:** 1.2 LBS / 0.54 Kg

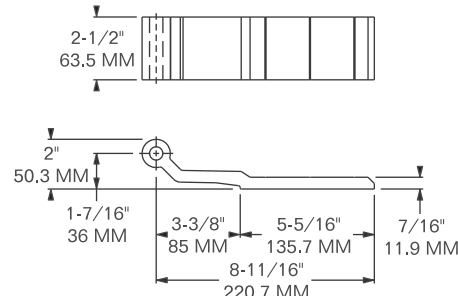
**MODEL 1402-7501**  
FOR 3/8" PIN

Ø3/8" x 3 HOLES  
9.9 MM



**FITS:** GREAT DANE, TRAILMOBILE **MATERIAL:** ALUMINUM  
**FINISH:** SELF-COLOR **WEIGHT:** 1.06 LBS / 0.48 Kg

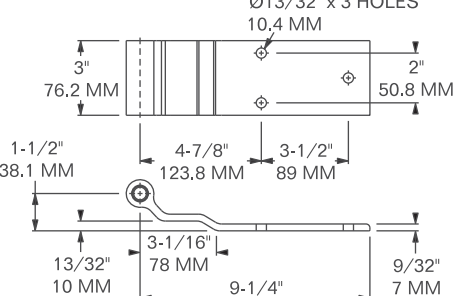
**MODEL 1402-7507**



**FITS:** MANAC 353-239 **MATERIAL:** ALUMINUM  
**FINISH:** SELF-COLOR **WEIGHT:** 1.16 LBS / 0.53 Kg

**MODEL 1402-7510**  
WITH NYLON INSERT BUSHING  
FOR 1/2" PIN

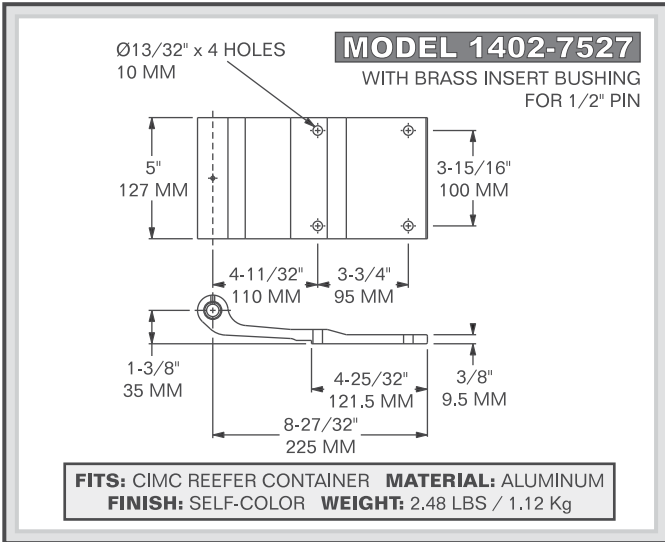
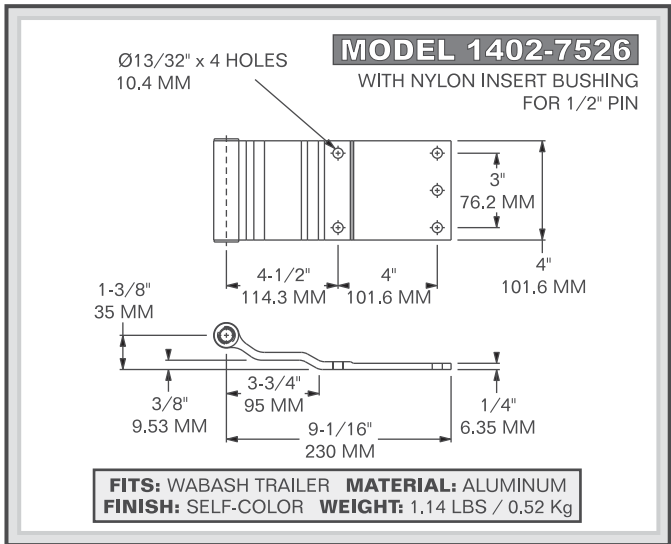
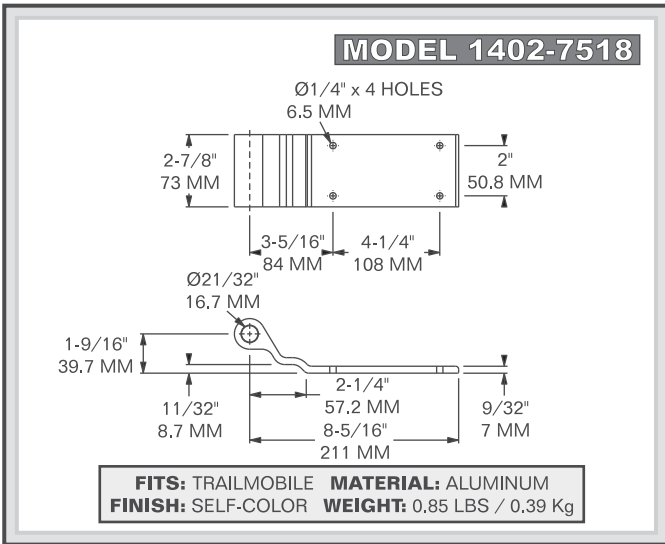
Ø13/32" x 3 HOLES  
10.4 MM



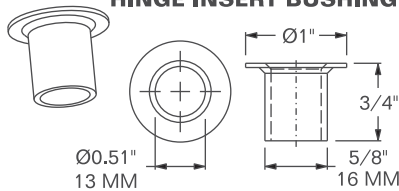
**FITS:** VANGUARD TRAILER **MATERIAL:** ALUMINUM  
**FINISH:** SELF-COLOR **WEIGHT:** 1.0 LBS / 0.45 Kg



# DOOR HARDWARE ALUMINUM HINGES

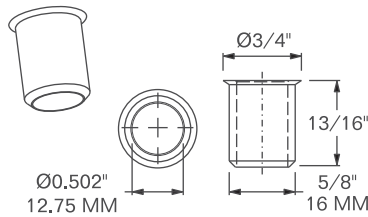


**MODEL 1402-1652**  
**HINGE INSERT BUSHING**



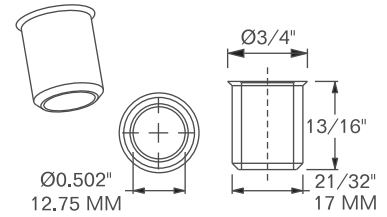
**SUB FOR:** BCP-10040  
**MATERIAL:** NYLATRON  
**FINISH:** SELF-COLOR  
**WEIGHT:** 0.01 LBS PER C

**MODEL 1402-1739-N**  
**HINGE INSERT BUSHING**



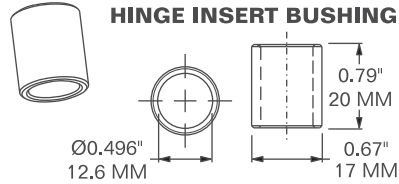
**MATERIAL:** NYLATRON  
**FINISH:** SELF-COLOR

**MODEL 1402-1740**  
**HINGE INSERT BUSHING**



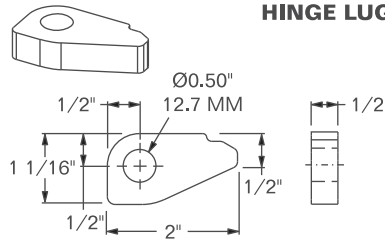
**MATERIAL:** NYLATRON  
**FINISH:** SELF-COLOR

**MODEL 1402-1994**  
**HINGE INSERT BUSHING**



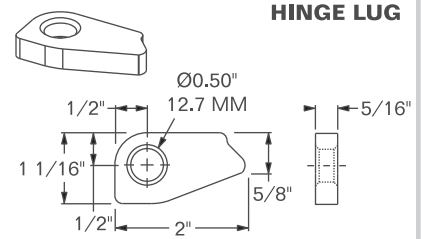
**SUB FOR:** JINDO R26361-0201  
**MATERIAL:** BRONZE  
**FINISH:** SELF-COLOR  
**WEIGHT:** 0.02 LBS

**MODEL 1402-2205**  
**HINGE LUG**



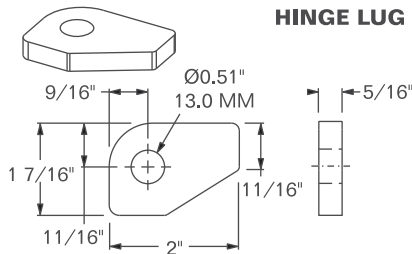
**SUB FOR:** L-2220 **MATERIAL:** STEEL  
**FINISH:** ZINC PLATED **WT:** 0.19 LBS

**MODEL 1402-2328**  
**HINGE LUG**



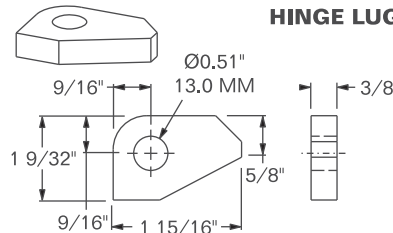
**SUB FOR:** L-2208 **MATERIAL:** STEEL  
**FINISH:** ZINC PLATED **WT:** 0.15 LBS

**MODEL 1402-2329**  
**HINGE LUG**



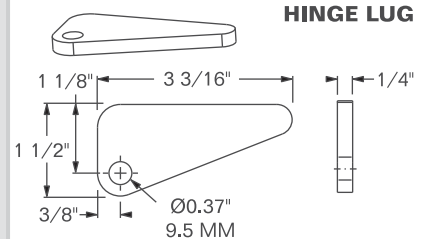
**MATERIAL:** STEEL  
**FINISH:** ZINC PLATED **WT:** 0.17 LBS

**MODEL 1402-2885**  
**HINGE LUG**



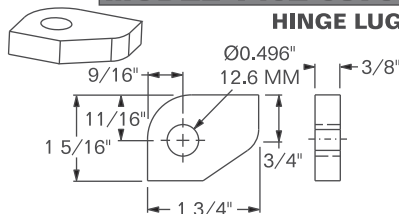
**FITS:** HYUNDAI 102\" WIDE CONT.  
**MATERIAL:** STEEL  
**FINISH:** ZINC PLATED **WT:** 0.19 LBS

**MODEL 1402-6534**  
**HINGE LUG**



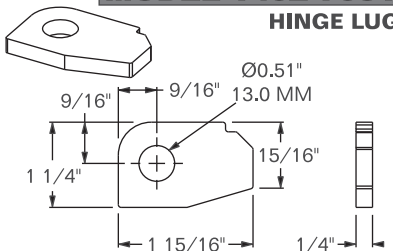
**SUB FOR:** GD 08137, PENZ 65-07  
**MATERIAL:** STEEL  
**FINISH:** ZINC PLATED **WT:** 0.22 LBS

**MODEL 1402-6870**  
**HINGE LUG**



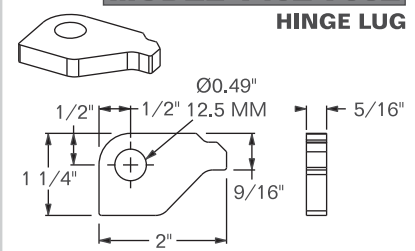
**SUB FOR:** JINDO R26512-0023  
**FITS:** JINDO 48', 53'  
**MATERIAL:** STEEL  
**FINISH:** ZINC PLATED **WT:** 0.02 LBS

**MODEL 1402-7031**  
**HINGE LUG**



**MATERIAL:** STEEL  
**FINISH:** ZINC PLATED **WT:** 0.12 LBS

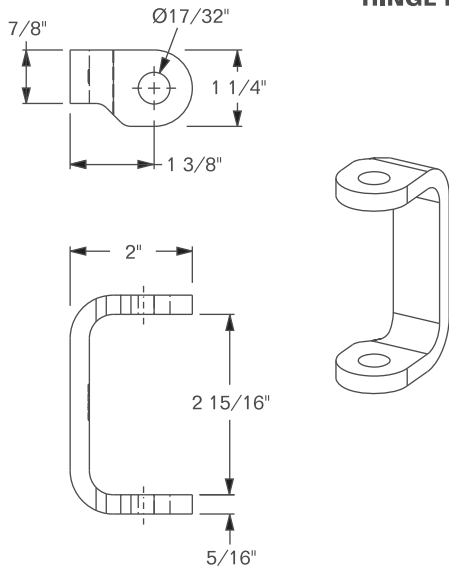
**MODEL 1402-7032**  
**HINGE LUG**



**MATERIAL:** STEEL  
**FINISH:** ZINC PLATED **WT:** 0.16 LBS

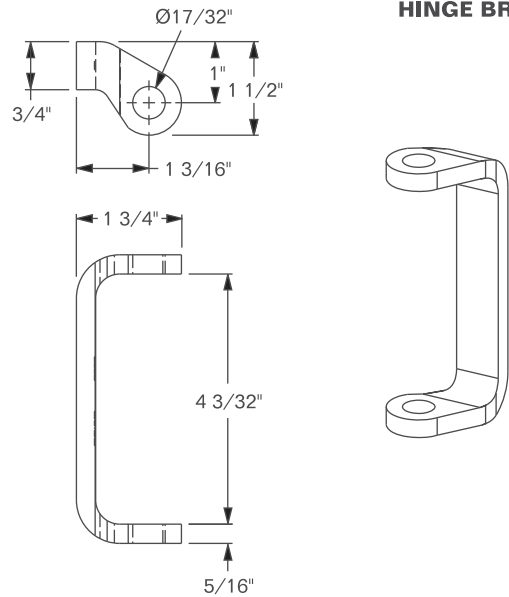
# DOOR HARDWARE HINGE BRACKETS

**MODEL 1402-2340**  
**HINGE BRACKET**



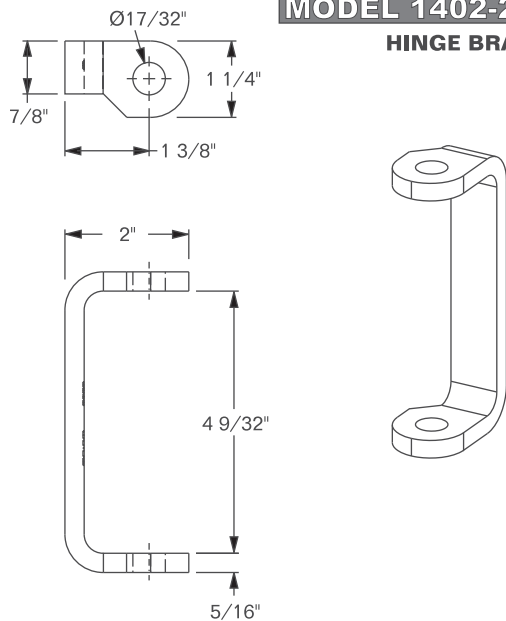
**SUB FOR:** PENZ 65-06, WAB 06300297  
**MATERIAL:** FAB STEEL  
**FINISH:** SELF-COLOR **WEIGHT:** 0.52 LBS

**MODEL 1402-2350**  
**HINGE BRACKET**

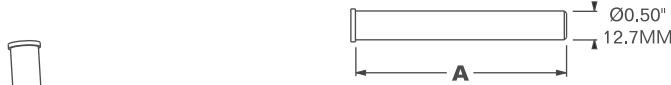


**SUB FOR:** PENZ 65-04  
**MATERIAL:** FAB STEEL  
**FINISH:** ZINC PLATED **WEIGHT:** 0.45 LBS

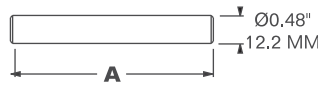
**MODEL 1402-2393**  
**HINGE BRACKET**



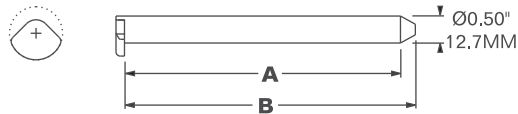
**SUB FOR:** M-1156-6, PENZ 65-05  
**MATERIAL:** FAB STEEL  
**FINISH:** ZINC PLATED **WEIGHT:** 0.6 LBS



MODEL	A	SUB FOR:	MATERIAL	FINISH	WEIGHT
<b>1402-1651</b>	3.66" 93 MM	-	CARBON STEEL	SELF-COLOR	0.20 LBS 0.09 Kg
<b>1402-2270</b>	4.13" 105 MM	CHPN-003-1	STAINLESS STEEL	SELF-COLOR	0.25 LBS 0.11 Kg

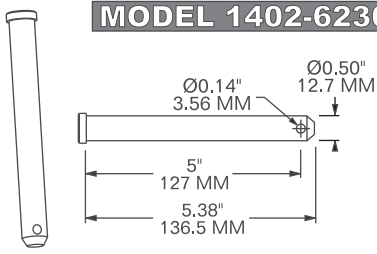
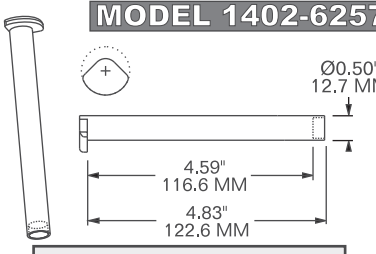
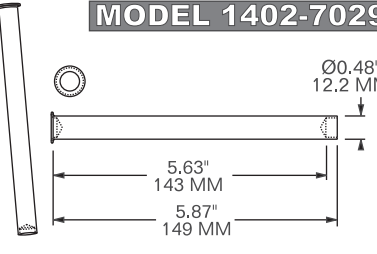
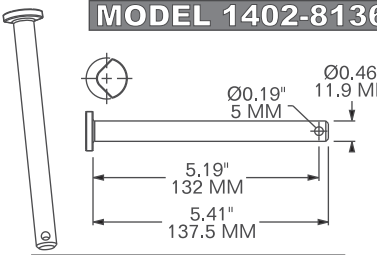


MODEL	A	SUB FOR:	MATERIAL	FINISH	WEIGHT
<b>1402-6227</b>	3.70" 94 MM	CHPN-001-1	STAINLESS STEEL	SELF-COLOR	0.20 LBS 0.09 Kg
<b>1402-6872</b>	4.02" 102 MM	JINDO R26223-1020	STAINLESS STEEL	SELF-COLOR	0.21 LBS 0.09 Kg
<b>1402-6216</b>	4.49" 114 MM	CHPN-001-4	STAINLESS STEEL	SELF-COLOR	0.23 LBS 0.10 Kg
<b>1402-6871</b>	5" 127 MM	JINDO R26223-1270	STAINLESS STEEL	SELF-COLOR	0.26 LBS 0.11 Kg



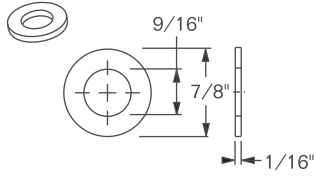
MODEL	A	B	SUB FOR:	MATERIAL	FINISH	WEIGHT
<b>1402-8655</b>	4.84" 123 MM	5.12" 130 MM	MAERSK	STAINLESS STEEL	SELF-COLOR	0.30 LBS 0.13 Kg
<b>1402-6256</b>	5.12" 130 MM	5.39" 137 MM	MAERSK 7810961 7810800	STAINLESS STEEL	SELF-COLOR	0.31 LBS 0.14 Kg
<b>1402-6258</b>	5.24" 133 MM	5.67" 144 MM	MAERSK 7810801	STAINLESS STEEL	SELF-COLOR	0.32 LBS 0.15 Kg
<b>1402-7558</b>	6.10" 155 MM	6.38" 162 MM	MAERSK	STAINLESS STEEL	SELF-COLOR	0.36 LBS 0.16 Kg



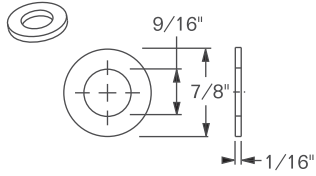
<p><b>MODEL 1402-6230</b></p>  <p><b>SUB FOR:</b> HP-1054-12 <b>MATERIAL:</b> CARBON STEEL <b>FINISH:</b> ZINC PLATED <b>WEIGHT:</b> 0.30 LBS / 0.13 Kg</p>	<p><b>MODEL 1402-6257</b></p>  <p><b>SUB FOR:</b> MAERSK 7810960 <b>FITS:</b> MCIQ 40' REEFER <b>MATERIAL:</b> STAINLESS STEEL <b>FINISH:</b> SELF-COLOR <b>WEIGHT:</b> 0.28 LBS / 0.12 Kg</p>	<p><b>MODEL 1402-7029</b></p>  <p><b>FITS:</b> SINGAMAS REEFER <b>MATERIAL:</b> STAINLESS STEEL <b>FINISH:</b> SELF-COLOR <b>WEIGHT:</b> 0.29 LBS / 0.13 Kg</p>
<p><b>MODEL 1402-8136</b></p>  <p><b>FITS:</b> CIMC 53' <b>MATERIAL:</b> STAINLESS STEEL <b>FINISH:</b> SELF-COLOR <b>WEIGHT:</b> 0.3 LBS / 0.13 Kg</p>		

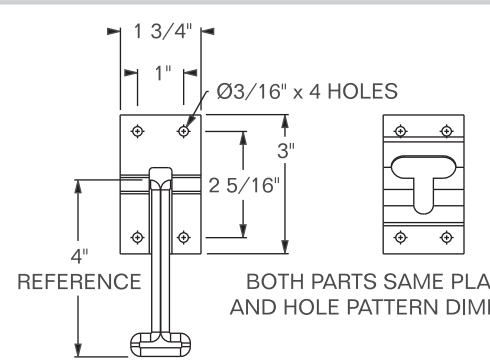
**MODEL 1402-4674-SS**

**HINGE WASHER**



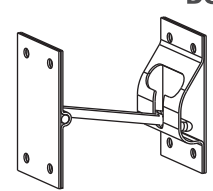
**SUB FOR:** JINDO R26452-1601  
**FITS:** JINDO 48', 53'  
**MATERIAL:** STAINLESS STEEL  
**FINISH:** SELF-COLOR **WT:** 0.01 LBS

<p><b>MODEL 1402-4674-SS</b>  <b>HINGE WASHER</b></p>  <p><b>SUB FOR:</b> JINDO R26452-1601  <b>FITS:</b> JINDO 48', 53'  <b>MATERIAL:</b> STAINLESS STEEL  <b>FINISH:</b> SELF-COLOR <b>WT:</b> 0.01 LBS</p>		



BOTH PARTS SAME PLATE SIZE  
AND HOLE PATTERN DIMENSIONS

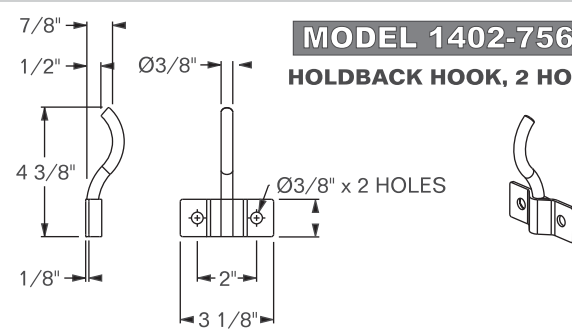
**MODEL 1402-2916-KIT**  
**DOOR HOLDBACK**



1402-2916-A  
TEE HOLDER PLATE

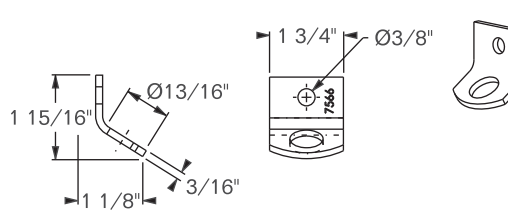
1402-2916-B  
BASE PLATE

**SUB FOR:** PENZ P-2007    **MATERIAL:** FAB STEEL  
**FINISH:** ZINC PLATED    **WEIGHT:** 0.40 LBS / 0.18 Kg



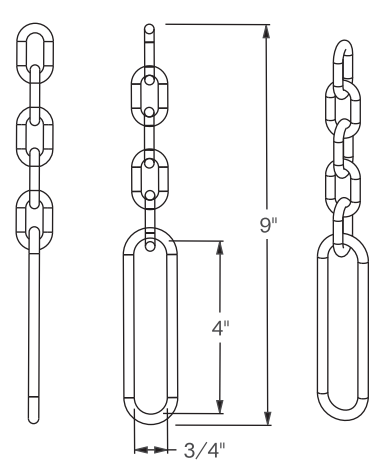
**MODEL 1402-7563**  
**HOLDBACK HOOK, 2 HOLE**

**MATERIAL:** STEEL    **FINISH:** HOT DIPPED GALVANIZED  
**WEIGHT:** 0.28 LBS / 0.13 Kg



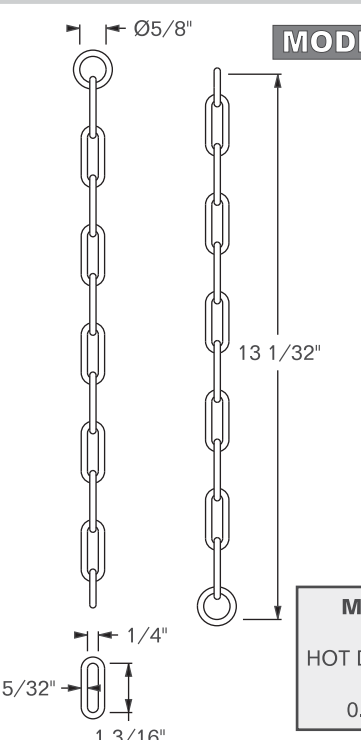
**MODEL 1402-7566**  
**HOLDBACK BRACKET**

**MATERIAL:** STEEL    **FINISH:** HOT DIPPED GALVANIZED  
**WEIGHT:** 0.16 LBS / 0.07 Kg



**MODEL 1402-2933**  
**HOLDBACK CHAIN**

**SUB FOR:** PENZ P-2011  
**MATERIAL:** 3/16" GR 28 CHAIN  
**FINISH:** HOT DIPPED GALVANIZED  
**WEIGHT:** 0.29 LBS / 0.13 Kg

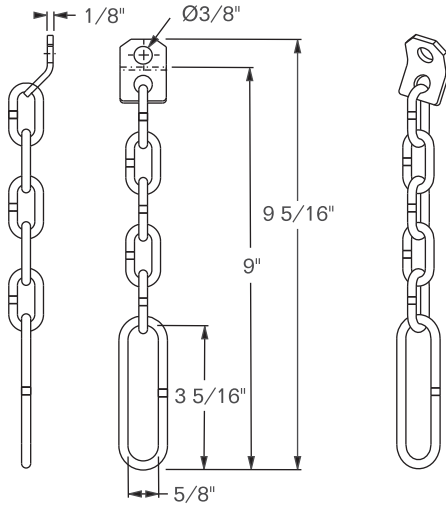


**MODEL 1402-7438**  
**HOLDBACK CHAIN**

**MATERIAL:** STEEL  
**FINISH:** HOT DIPPED GALVANIZED  
**WEIGHT:** 0.16 LBS / 0.07 Kg

**MODEL 1402-6856**

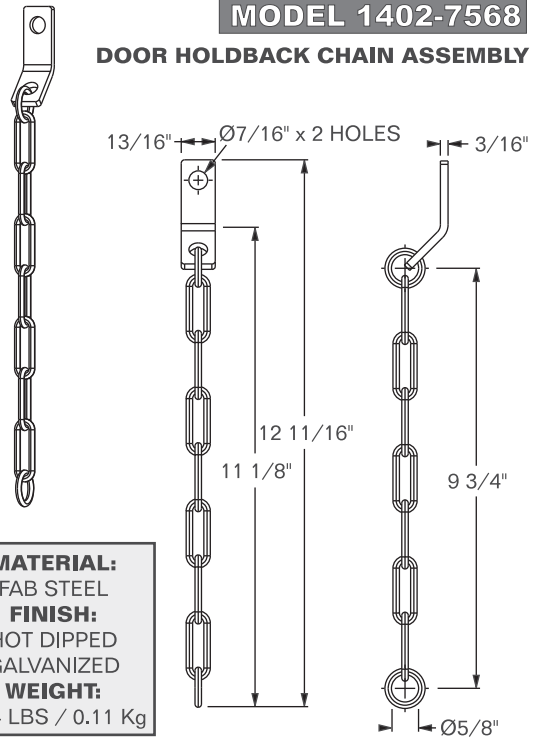
**DOOR HOLDBACK CHAIN ASSEMBLY**



**SUB FOR:** PENZ P-2012  
**MATERIAL:** 3/16" GR 28 CHAIN  
**FINISH:** HOT DIPPED GALVANIZED  
**WEIGHT:** 0.22 LBS / 0.10 Kg

**MODEL 1402-7568**

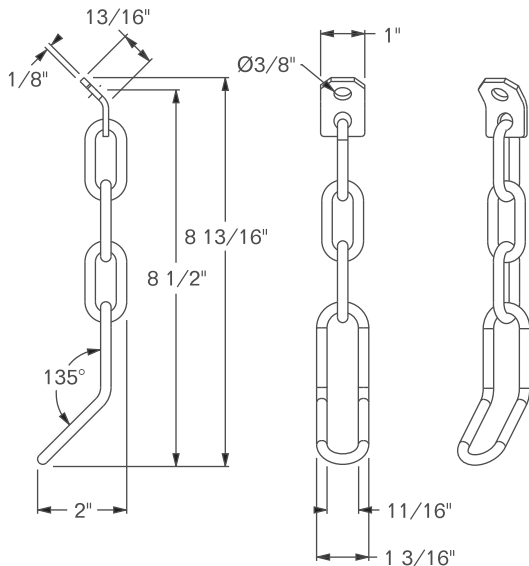
**DOOR HOLDBACK CHAIN ASSEMBLY**



**MATERIAL:** FAB STEEL  
**FINISH:** HOT DIPPED GALVANIZED  
**WEIGHT:** 0.24 LBS / 0.11 Kg

**MODEL 1402-7918**

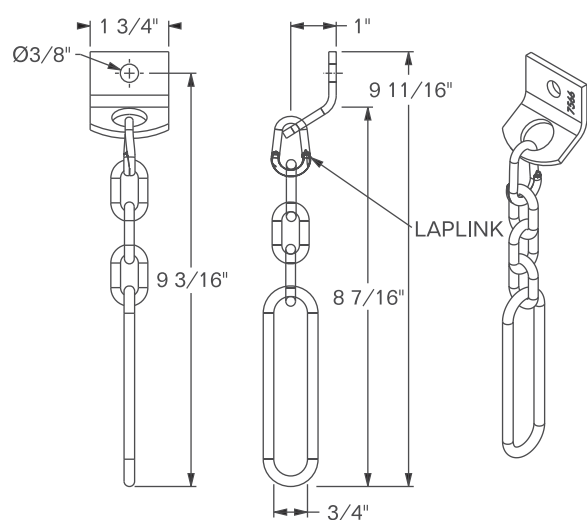
**DOOR HOLDBACK CHAIN ASSEMBLY**



**SUB FOR:** CIMC, SINGAMAS **MATERIAL:** FAB STEEL  
**FINISH:** HOT DIPPED GALVANIZED  
**WEIGHT:** 0.30 LBS / 0.14 Kg

**MODEL 1402-8645**

**DOOR HOLDBACK CHAIN ASSEMBLY**



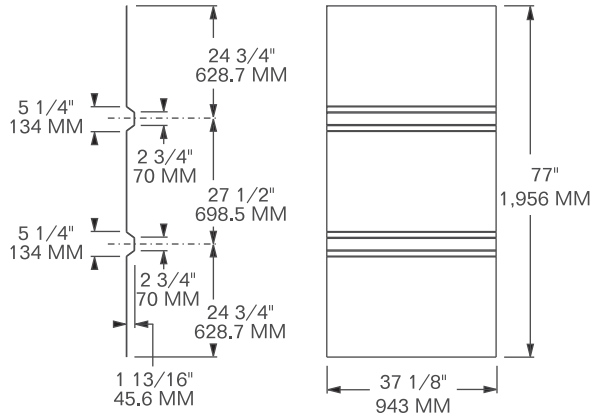
**MATERIAL:** FAB STEEL  
**FINISH:** HOT DIPPED GALVANIZED  
**WEIGHT:** 0.42 LBS / 0.19 Kg



# CONTAINER DOOR PANELS

## MODEL 1403-2357

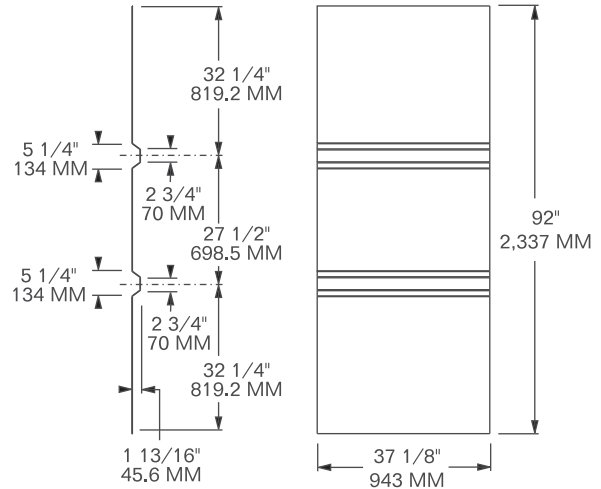
**SUB FOR:** ANY MAKE  
**FITS:** 8' 6" ISO 20', 40'  
**THICKNESS:** 3/32" / 2 MM



**MATERIAL:** CORTEN STEEL **FINISH:** PRIMER  
**WEIGHT:** 65.0 LBS / 29.5 Kg

## MODEL 1403-2358

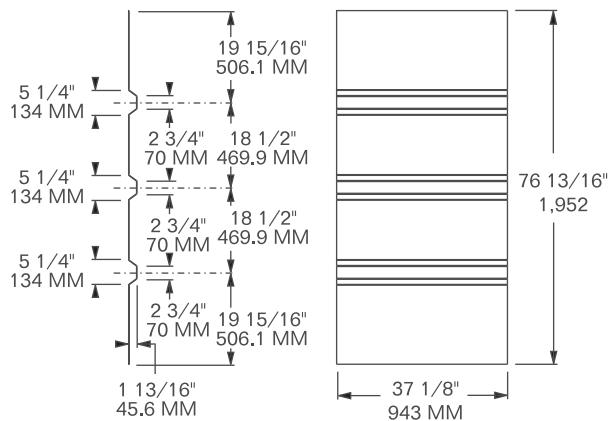
**SUB FOR:** ANY MAKE  
**FITS:** 9' 6" HIGH CUBE ISO 20', 40', 45'  
**THICKNESS:** 3/32" / 2 MM



**MATERIAL:** CORTEN STEEL **FINISH:** PRIMER  
**WEIGHT:** 75.0 LBS / 34.0 Kg

## MODEL 1403-2359

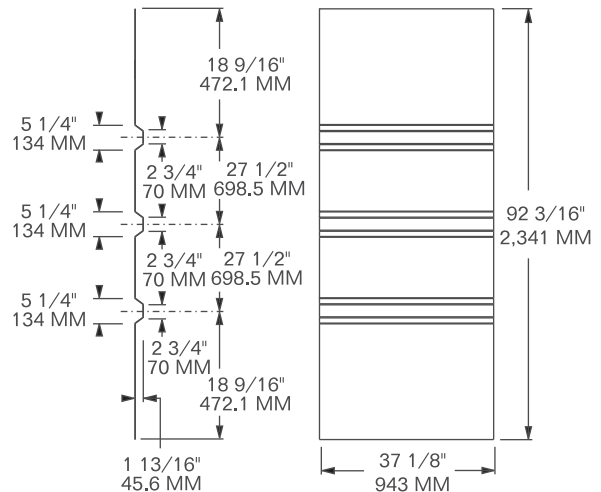
**SUB FOR:** ANY MAKE  
**FITS:** 8' 6" ISO 20', 40'  
**THICKNESS:** 3/32" / 2 MM



**MATERIAL:** CORTEN STEEL **FINISH:** PRIMER  
**WEIGHT:** 64.0 LBS / 29.0 Kg

## MODEL 1403-2360

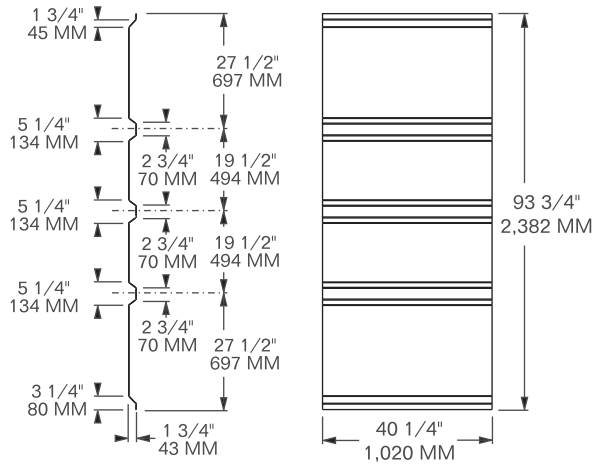
**SUB FOR:** ANY MAKE  
**FITS:** 9' 6" HIGH CUBE ISO 20', 40', 45'  
**THICKNESS:** 3/32" / 2 MM



**MATERIAL:** CORTEN STEEL **FINISH:** PRIMER  
**WEIGHT:** 76.0 LBS / 34.5 Kg

## MODEL 1403-6898

**SUB FOR:** JINDO AF0102-1300  
**FITS:** JINDO 53' WITH 107" DOOR OPENING  
**THICKNESS:** 1/16" / 1.6 MM



**MATERIAL:** CORTEN STEEL **FINISH:** PRIMER  
**WEIGHT:** 66.0 LBS / 29.9 Kg

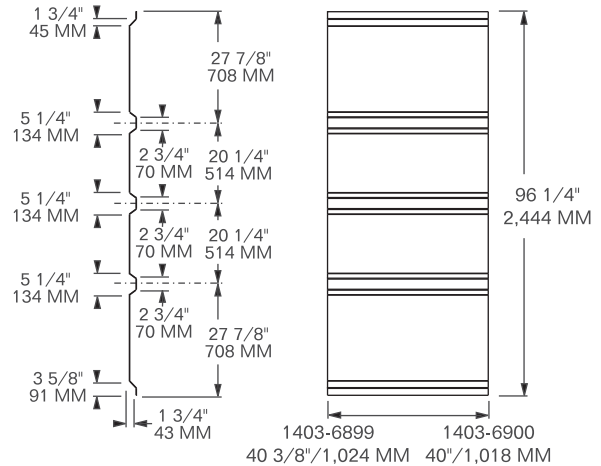
## MODEL 1403-6899

**SUB FOR:** JINDO AF0102-1353, 40 3/8" WIDE

## MODEL 1403-6900

**SUB FOR:** JINDO AF0102-1453, 40 1/8" WIDE

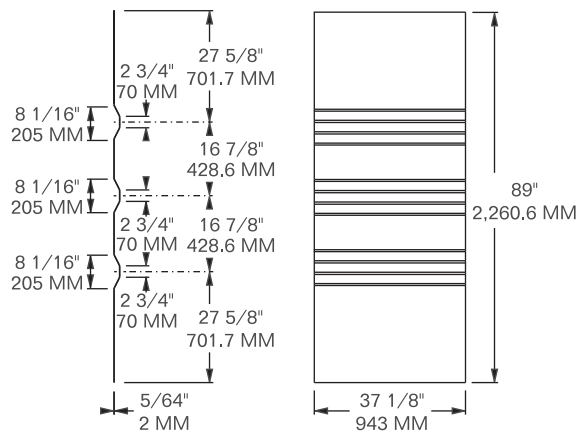
**FITS:** JINDO 53' WITH 110" DOOR OPENING  
**THICKNESS:** 1/16" / 1.6 MM



**MATERIAL:** CORTEN STEEL **FINISH:** PRIMER  
**1403-6899 WT:** 64.6 LBS / 29.3 Kg  
**1403-6900 WT:** 72.8 LBS / 33.0 Kg

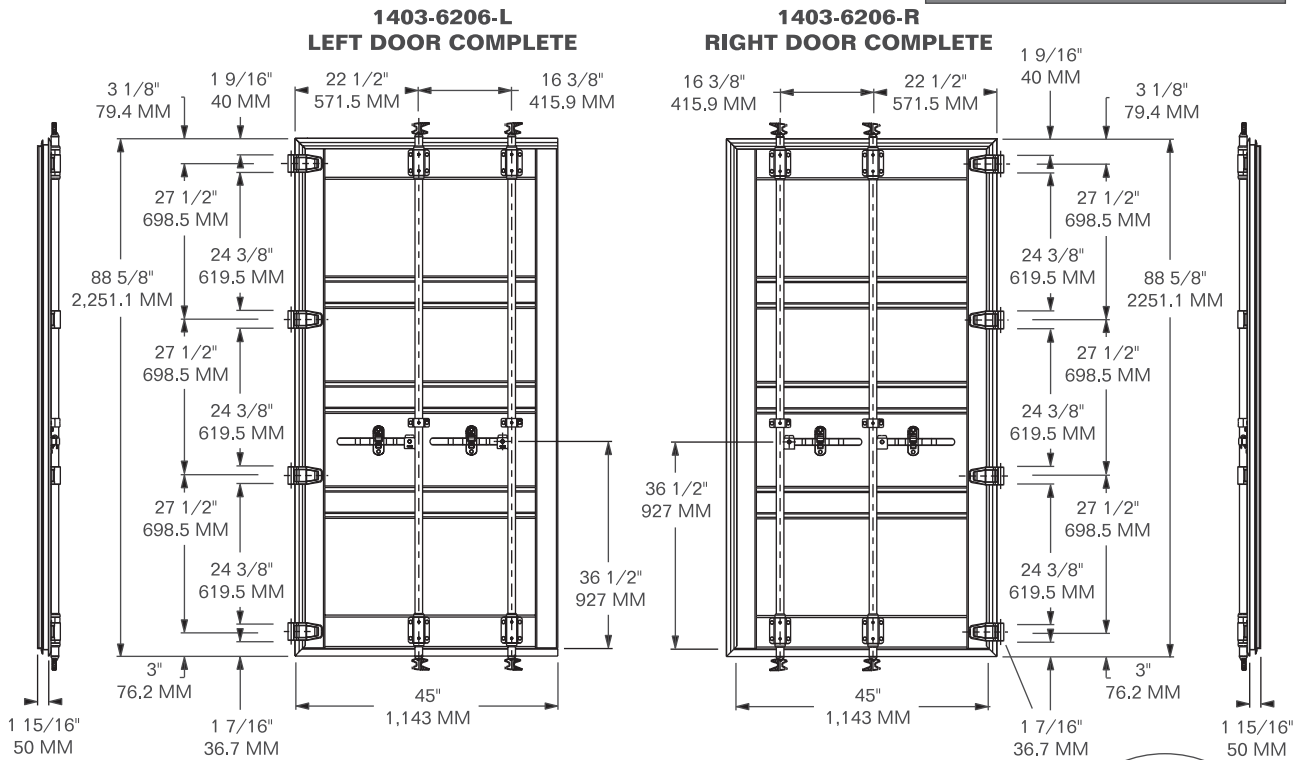
## MODEL 1403-7462

**THICKNESS:** 5/64" / 2 MM

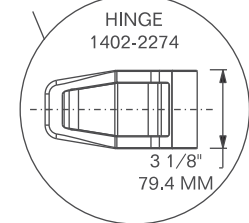


**MATERIAL:** CORTEN STEEL **FINISH:** PRIMER  
**WEIGHT:** 75.00 LBS / 34.02 Kg

**MODEL 1403-6206-L/R**

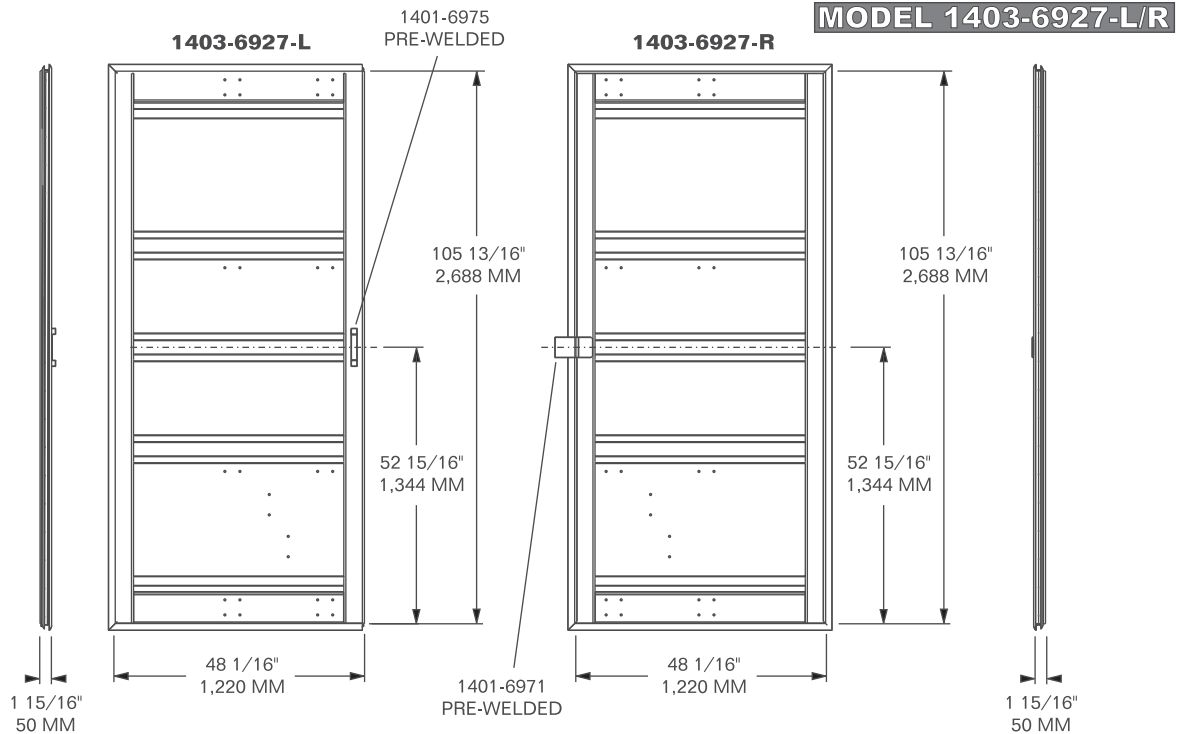


**ASSEMBLIES FOR STANDARD ISO 8' 6" CONTAINERS - 20', 40' AND 45'.  
ALL DIMENSIONS SHOWN FROM DOOR STEEL EDGES.  
COMPLETE WITH GASKETS FITTED WITH RETAINERS.**



PART NUMBER / DESCRIPTION	QTY PER DOOR	PART NUMBER / DESCRIPTION	QTY PER DOOR
1401-2971 LOCKING ROD TUBE	2	1404-6244 DOOR GASKET, RIGHT DOOR, 4 SIDED	1
1401-2586 HANDLE HUB	2	1401-2473 RETAINER PLATE	2
1401-2196 RIVET	2	1401-2474 RETAINER CATCH	4
1401-2172 ANTI-RACK RING	8	1401-2179 BUSHING FOR RETAINER CATCH	2
1401-2194-L CAM, LEFT	2	1401-2197-M SPLIT BUSHING, SHORT	10
1401-2194-R CAM, RIGHT	2	1401-2197-F SPLIT BUSHING, SHORT	10
1401-2585 HANDLE	2	1401-7324 GASKET, RETAINER PLATE	2
1402-2274 HINGE, WELD ON	4	1401-7322 GASKET, BEARING BRACKET LONG	4
1401-2173 BEARING BRACKET, LONG	4	1401-7323 GASKET, BEARING BRACKET SHORT	2
1401-2175 BEARING BRACKET, SHORT	2	1401-4705 HEX BOLT, M10-1.50 X 35 MM	2
1401-2174 BEARING BRACKET BACK PLATE, LONG	4	1401-4706 HEX BOLT, M10-1.50 X 25 MM	22
1401-2176 BEARING BRACKET BACK PLATE, SHORT	2	1401-4707 HEX NUT, M10-1.50	24
1404-6243 DOOR GASKET, LEFT DOOR, 3 SIDED	1	1401-4708 LOCK WASHER, 10 MM	24

**MATERIAL:** CORTEN STEEL **FINISH:** WHITE PRIMER **1403-6205-L/R WEIGHT:** 220.00 LBS / 99.79 Kg



**FITS JINDO CONTAINERS: PACER 48' x 107", PACER 53' x 107" SPEC #1 AND PACER 53' x 107" SPEC #2 DOORS PRE-DRILLED FOR HARDWARE AND GASKETS PRE-MOUNTED.**

**ALL DIMENSIONS SHOWN FROM DOOR EDGES.**

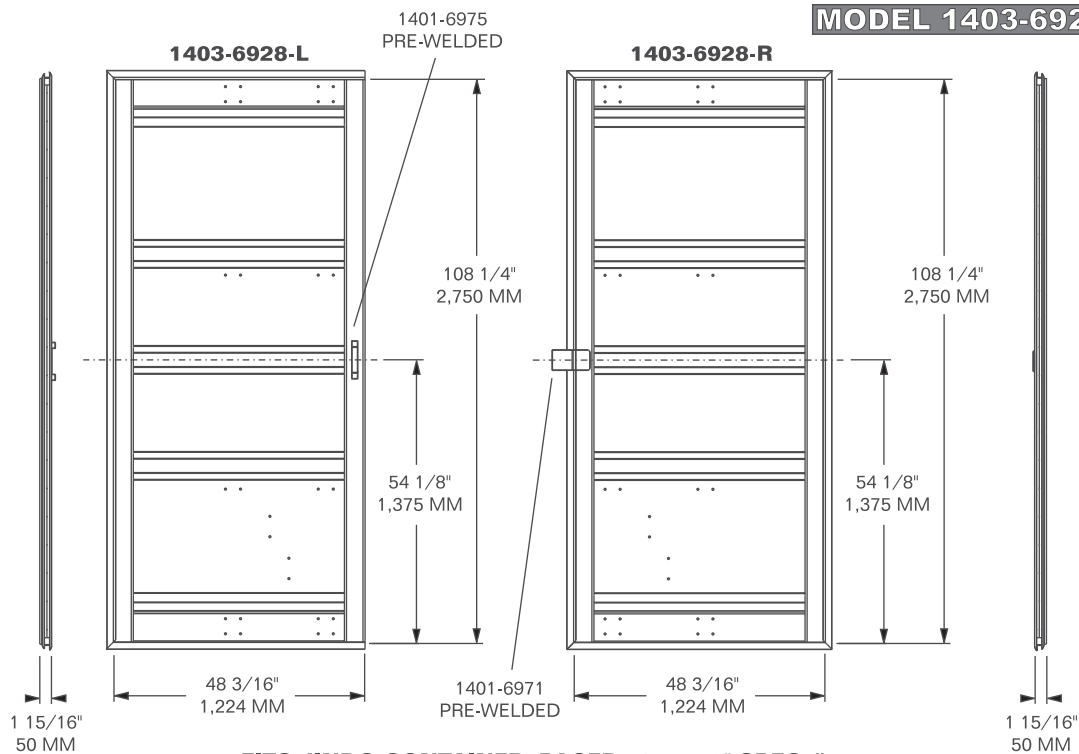
**PARTS BELOW SOLD SEPARATELY, EXCEPT 1401-6971 AND 1401-6975 THAT ARE PRE-WELDED TO THE DOORS.**

PART NUMBER / DESCRIPTION	QTY FOR 6927-L	QTY FOR 6927-R	PACER 48' x 107"	PACER 53' x 107" SPEC #1	PACER 53' x 107" SPEC #2
1401-6895-RL LOCKING ROD ASSEMBLY, RIGHT	1	1	●	●	●
1401-6895-LL LOCKING ROD ASSEMBLY, LEFT	1	1	●	●	●
1402-6873 HINGE 3" WITH BUSHINGS	4	4		●	
1402-6874 HINGE 4" WITH BUSHINGS	5	5	●		●
1401-2173 BEARING BRACKET, LONG	4	4	●	●	●
1401-2175 BEARING BRACKET, SHORT	4	4	●	●	●
1401-7323 GASKET, SHORT BEARING BRACKET	4	4	●	●	●
1401-2613 SPLIT BUSHING HALVES, LONG	8	8	●	●	●
1401-6156 SPLIT BUSHING HALVES, SHORT	8	8	●	●	●
1401-7322 GASKET, LONG BEARING BRACKET	4	4	●	●	●
1401-2473 RETAINER PLATE	2	2	●	●	●
1401-2474 RETAINER CATCH	2	2	●	●	●
1401-2179 BUSHING FOR RETAINER CATCH	2	2	●	●	●
1401-7324-1MM GASKET FOR RETAINER PLATE	2	2	●	●	●
1402-6872 HINGE PIN 4"	4	4		●	
1402-6871 HINGE PIN 5"	5	5	●		●
1402-4674-SS HINGE WASHER, FLAT	4	4		●	
1402-4674-SS HINGE WASHER, FLAT	5	5	●		●
1401-6971 ANTI-RACK PLATE	0	1	●	●	●
1401-6975 ANTI-RACK BRACKET	1	0	●	●	●

**FINISH: GRAY PRIMER 1403-6927-L WEIGHT: 179.0 LBS / 81.19 Kg 1403-6927-R WEIGHT: 178.0 LBS / 80.74 Kg**

# CONTAINER DOOR

FITS 102" W x 110" H



**FITS JINDO CONTAINER: PACER 53' x 110" SPEC #1**  
**DOORS PRE-DRILLED FOR HARDWARE AND GASKETS PRE-MOUNTED.**  
**ALL DIMENSIONS SHOWN FROM DOOR EDGES.**

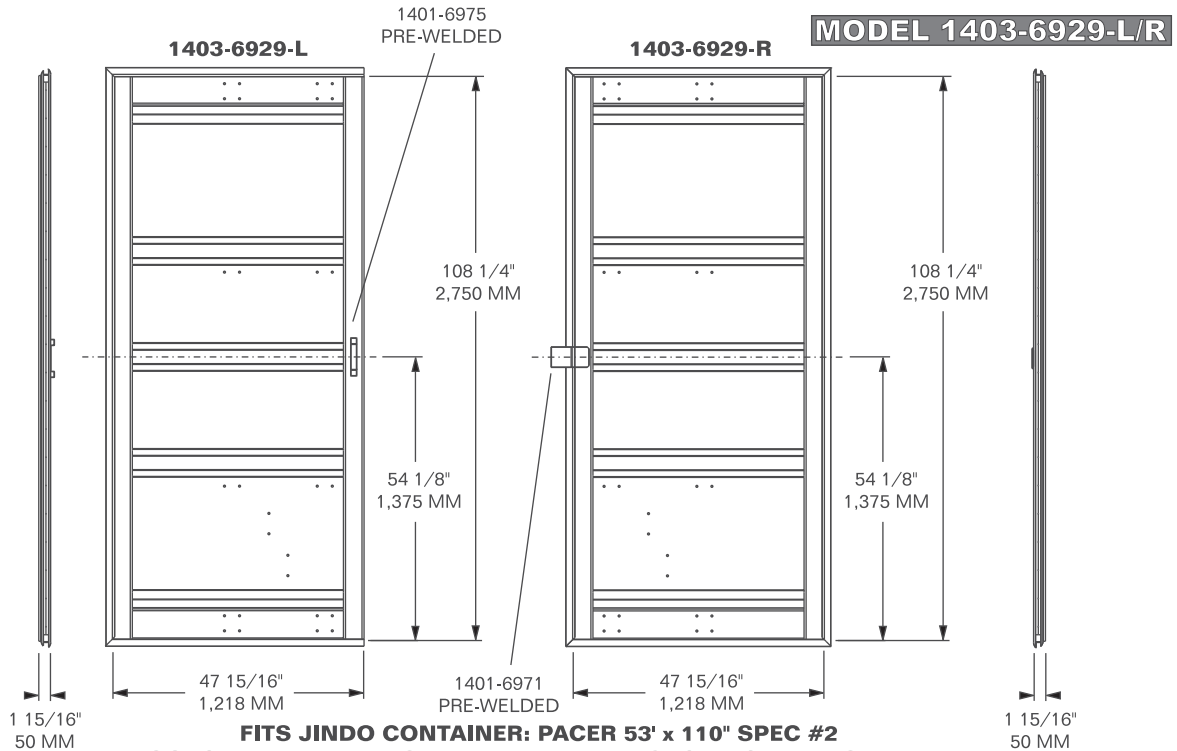
**PARTS BELOW SOLD SEPARATELY, EXCEPT 1401-6971 AND 1401-6975 THAT ARE PRE-WELDED TO THE DOORS.**

PART NUMBER / DESCRIPTION	QTY FOR 6928-L	QTY FOR 6928-R
1401-6896-RL LOCKING ROD ASSEMBLY, RIGHT	1	1
1401-6896-LL LOCKING ROD ASSEMBLY, LEFT	1	1
1402-6874 HINGE 4" WITH BUSHINGS	5	5
1401-2173 BEARING BRACKET, LONG	4	4
1401-2175 BEARING BRACKET, SHORT	4	4
1401-2886 SHIM, SHORT BEARING BRACKET	4	4
1401-7323 GASKET, SHORT BEARING BRACKET	4	4
1401-2613 SPLIT BUSHING HALVES, LONG	8	8
1401-6156 SPLIT BUSHING HALVES, SHORT	8	8
1401-7322 GASKET, LONG BEARING BRACKET	4	4
1401-2473 RETAINER PLATE	2	2
1401-2474 RETAINER CATCH	2	2
1401-2179 BUSHING FOR RETAINER CATCH	2	2
1401-7324-1MM GASKET FOR RETAINER PLATE	2	2
1401-2704 SHIM, RETAINER PLATE	2	2
1402-6871 HINGE PIN 5"	5	5
1402-4674-SS HINGE WASHER, FLAT	5	5
1401-6971 ANTI-RACK PLATE	0	1
1401-6975 ANTI-RACK BRACKET	1	0

**FINISH:** GRAY PRIMER **1403-6928-L WEIGHT:** 177.0 LBS / 80.29 Kg **1403-6928-R WEIGHT:** 183.0 LBS / 83.0 Kg

# CONTAINER DOOR

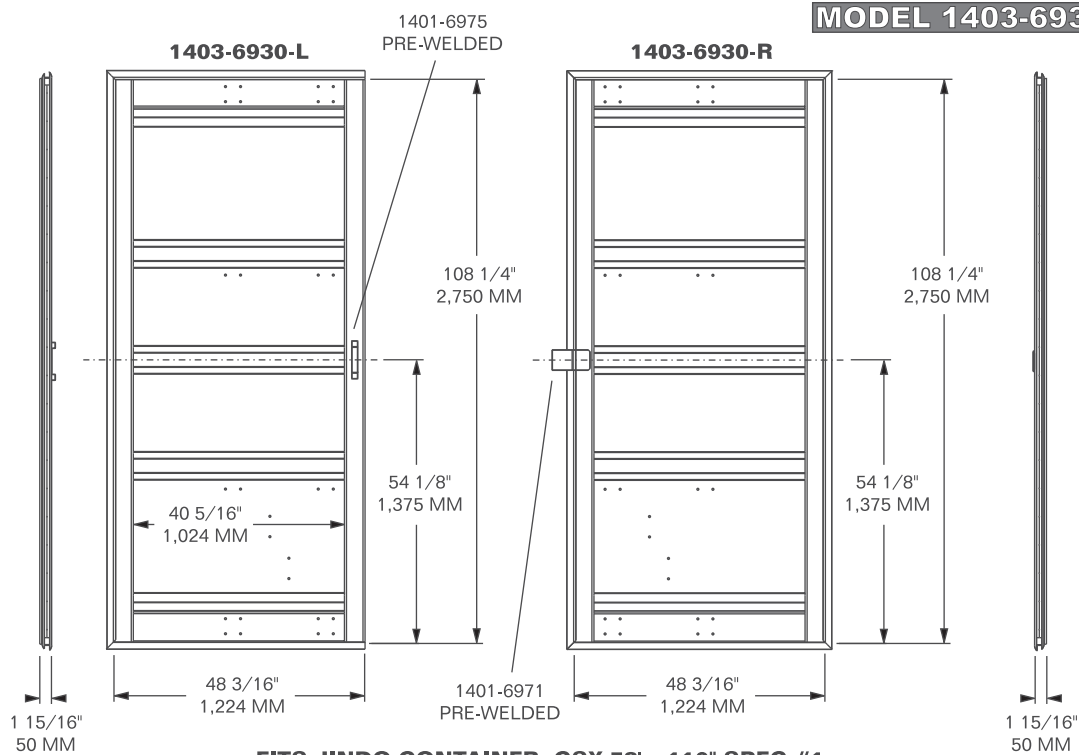
FITS 102" W x 110" H



**PARTS BELOW SOLD SEPARATELY, EXCEPT 1401-6971 AND 1401-6975 THAT ARE PRE-WELDED TO THE DOORS.**

PART NUMBER / DESCRIPTION	QTY FOR 6929-L	QTY FOR 6929-R
1401-6896-RL LOCKING ROD ASSEMBLY, RIGHT	1	0
1401-6896-LL LOCKING ROD ASSEMBLY, LEFT	1	1
1401-6897-RL LOCKING ROD ASSEMBLY W/ SECURITY, RIGHT	0	1
1402-6874 HINGE 4" WITH BUSHINGS	5	5
1401-2173 BEARING BRACKET, LONG	4	4
1401-2175 BEARING BRACKET, SHORT	4	4
1401-2886 SHIM, SHORT BEARING BRACKET	4	4
1401-7323 GASKET, SHORT BEARING BRACKET	4	4
1401-2613 SPLIT BUSHING HALVES, LONG	8	8
1401-6156 SPLIT BUSHING HALVES, SHORT	8	8
1401-7322 GASKET, LONG BEARING BRACKET	4	4
1401-2473 RETAINER PLATE	2	2
1401-2474 RETAINER CATCH	2	2
1401-2179 BUSHING FOR RETAINER CATCH	2	2
1401-7324-1MM GASKET FOR RETAINER PLATE	2	2
1401-2704 SHIM, RETAINER PLATE	2	2
1402-6871 HINGE PIN 5"	5	5
1402-4674-SS HINGE WASHER, FLAT	5	5
1401-6973 PADLOCK BRACKET, SECONDARY LOCK	0	1
1401-7321 SHIM, FOR USE WITH BRACKET 1401-6973	0	1
1401-7326 GASKET, FOR USE WITH BRACKET 1401-6973	0	1
1401-6971 ANTI-RACK PLATE	0	1
1401-6975 ANTI-RACK BRACKET	1	0

**FINISH:** GRAY PRIMER    **1403-6929-L WEIGHT:** 183.0 LBS / 83.0 Kg    **1403-6929-R WEIGHT:** 188.0 LBS / 85.28 Kg



**MODEL 1403-6930-L/R**

**FITS JINDO CONTAINER: CSX 53' x 110" SPEC #1**  
**DOORS PRE-DRILLED FOR HARDWARE AND GASKETS PRE-MOUNTED.**  
**ALL DIMENSIONS SHOWN FROM DOOR EDGES.**

**PARTS BELOW SOLD SEPARATELY, EXCEPT 1401-6971 AND 1401-6975 THAT ARE PRE-WELDED TO THE DOORS.**

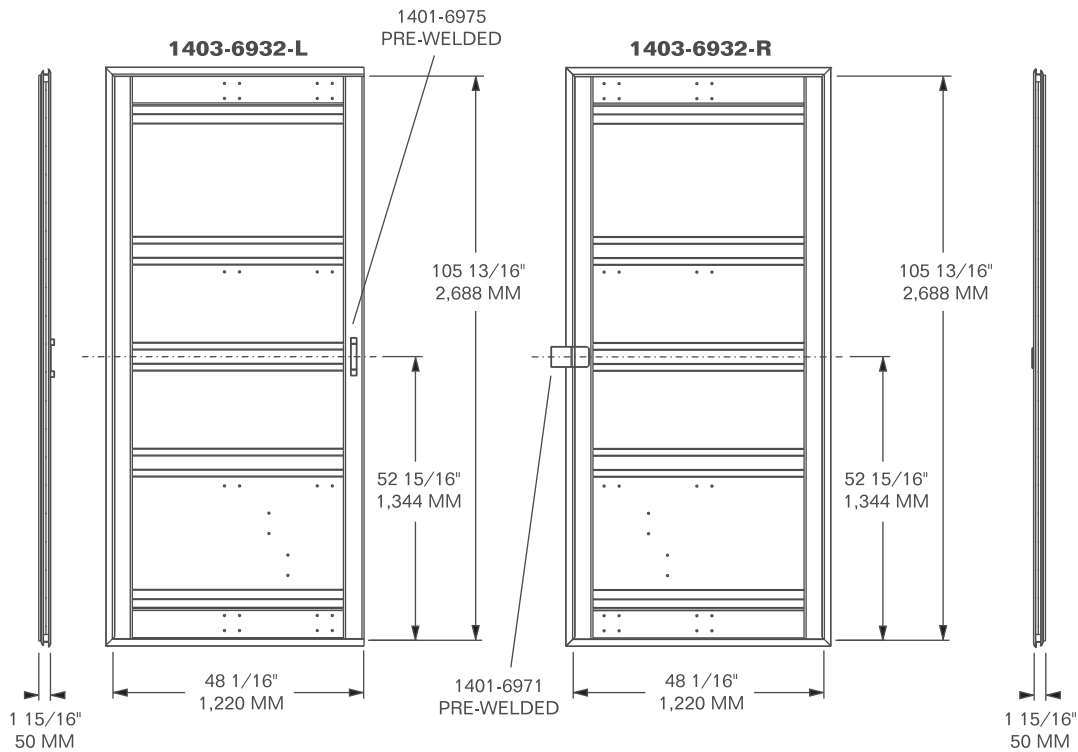
PART NUMBER / DESCRIPTION	QTY FOR 6930-L	QTY FOR 6930-R
1401-6896-RL LOCKING ROD ASSEMBLY, RIGHT	1	1
1401-6896-LL LOCKING ROD ASSEMBLY, LEFT	1	1
1402-6874 HINGE 4" WITH BUSHINGS	5	5
1401-2173 BEARING BRACKET, LONG	4	4
1401-2175 BEARING BRACKET, SHORT	4	4
1401-2886 SHIM, SHORT BEARING BRACKET	4	4
1401-7323 GASKET, SHORT BEARING BRACKET	4	4
1401-2613 SPLIT BUSHING HALVES, LONG	8	8
1401-6156 SPLIT BUSHING HALVES, SHORT	8	8
1401-7322 GASKET, LONG BEARING BRACKET	4	4
1401-2473 RETAINER PLATE	2	2
1401-2474 RETAINER CATCH	2	2
1401-2179 BUSHING FOR RETAINER CATCH	2	2
1401-7324-1MM GASKET FOR RETAINER PLATE	2	2
1401-2704 SHIM, RETAINER PLATE	2	2
1402-6871 HINGE PIN 5"	5	5
1402-4674-SS HINGE WASHER, FLAT	5	5
1401-6971 ANTI-RACK PLATE	0	1
1401-6975 ANTI-RACK BRACKET	1	0

**FINISH: GRAY PRIMER 1403-6930-L WEIGHT: 155.0 LBS / 70.31 Kg 1403-6930-R WEIGHT: 158.0 LBS / 71.67 Kg**

# CONTAINER DOOR

FITS 102" W x 107" H

**MODEL 1403-6932-L/R**



**FITS JINDO CONTAINER: CSX 48' x 107"**  
**DOORS PRE-DRILLED FOR HARDWARE AND GASKETS PRE-MOUNTED.**  
**ALL DIMENSIONS SHOWN FROM DOOR EDGES.**

**PARTS BELOW SOLD SEPARATELY, EXCEPT 1401-6971 AND 1401-6975 THAT ARE PRE-WELDED TO THE DOORS.**

PART NUMBER / DESCRIPTION	QTY FOR 6932-L	QTY FOR 6932-R
1401-6895-RL LOCKING ROD ASSEMBLY, RIGHT	1	1
1401-6895-LL LOCKING ROD ASSEMBLY, LEFT	1	1
1402-6874 HINGE 4" WITH BUSHINGS	5	5
1401-2173 BEARING BRACKET, LONG	4	4
1401-2175 BEARING BRACKET, SHORT	4	4
1401-7323 GASKET, SHORT BEARING BRACKET	4	4
1401-2613 SPLIT BUSHING HALVES, LONG	4	6
1401-6156 SPLIT BUSHING HALVES, SHORT	8	8
1401-7322 GASKET, LONG BEARING BRACKET	4	4
1401-2473 RETAINER PLATE	2	2
1401-2474 RETAINER CATCH	2	2
1401-2179 BUSHING FOR RETAINER CATCH	2	2
1401-7324-1MM GASKET FOR RETAINER PLATE	2	2
1402-6871 HINGE PIN 5"	5	5
1402-4674-SS HINGE WASHER, FLAT	5	5
1401-6971 ANTI-RACK PLATE	0	1
1401-6975 ANTI-RACK BRACKET	1	0

**FINISH:** GRAY PRIMER **1403-6932-L WEIGHT:** 172.0 LBS / 78.02 Kg **1403-6932-R WEIGHT:** 185.0 LBS / 83.91 Kg

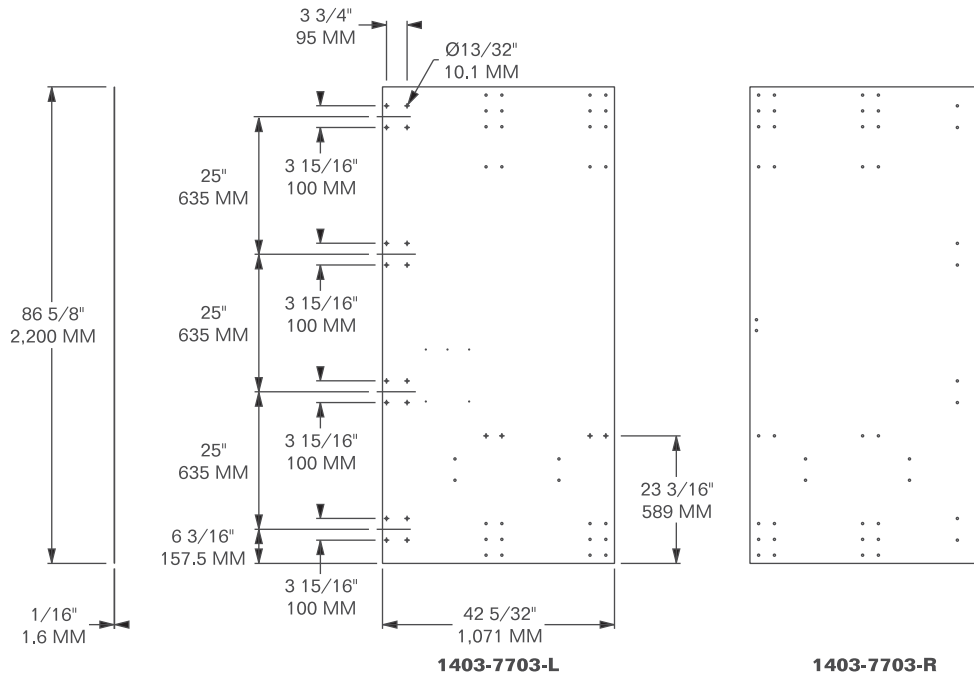


# CONTAINER DOOR PANELS

PRE-DRILLED, FOR REEFER CONTAINERS

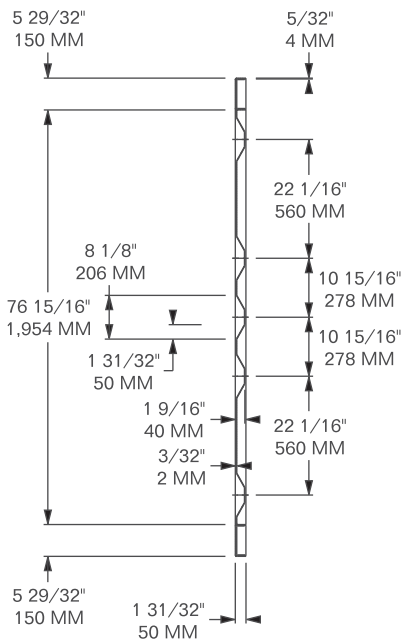
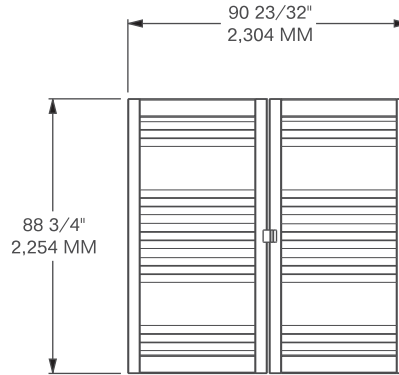
**MODEL 1403-7703-L**

**MODEL 1403-7703-R**

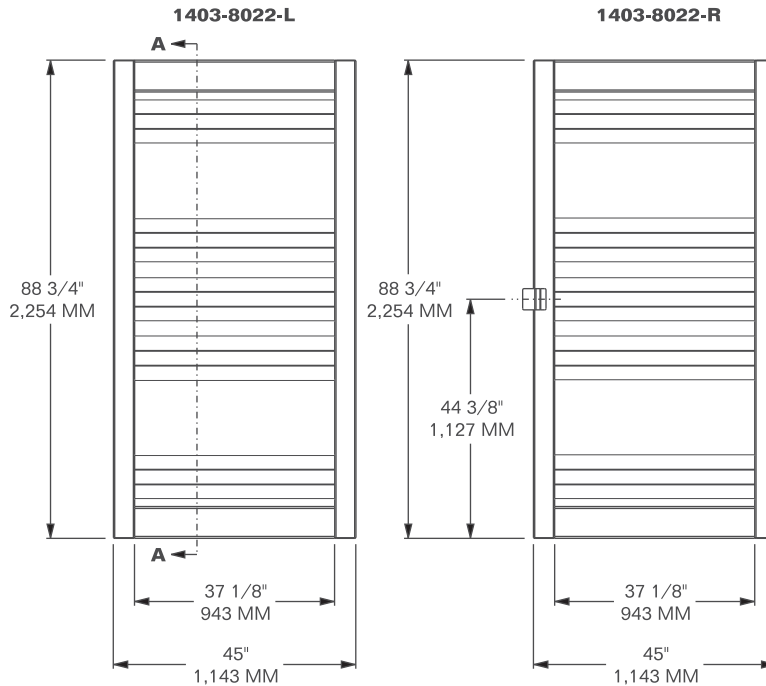


**FITS:** CIMC **MATERIAL:** MUFFLER GRADE STAINLESS STEEL  
**FINISH:** SELF-COLOR **WEIGHT:** 60.0 LBS / 27.2 Kg

**MODEL 1403-8022-L**  
**MODEL 1403-8022-R**

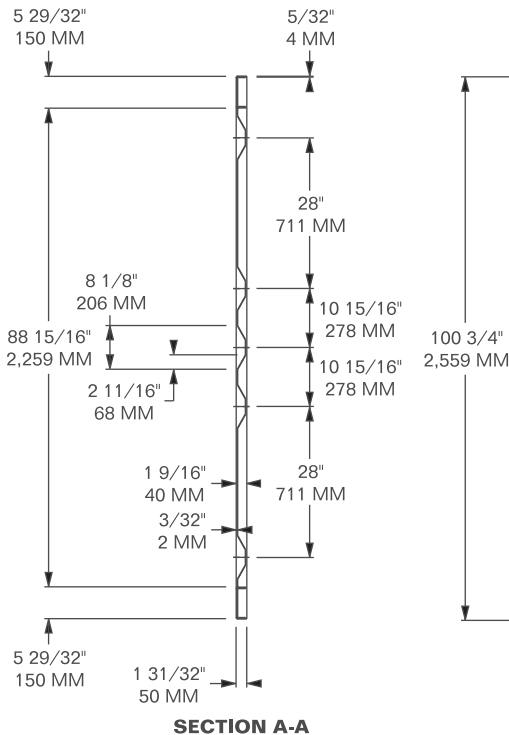
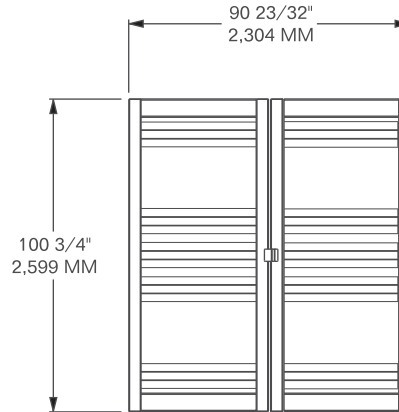


**SECTION A-A**



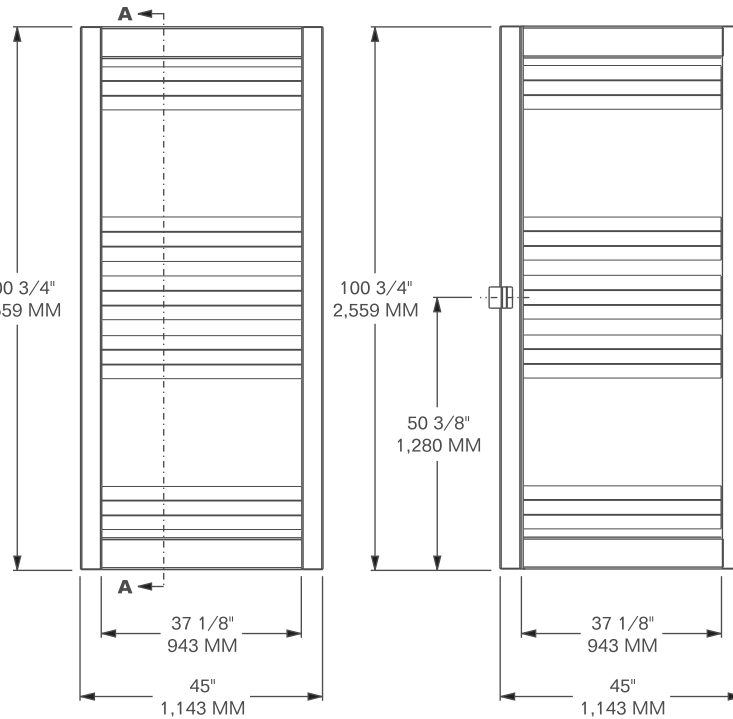
**FITS:** STANDARD 8' 6" DRY ISO CONTAINER **MATERIAL:** CORTEN STEEL  
**FINISH:** PRIMER **WEIGHT:** 155.0 LBS / 70.3 Kg

**MODEL 1403-8023-L**  
**MODEL 1403-8023-R**



**1403-8023-L**

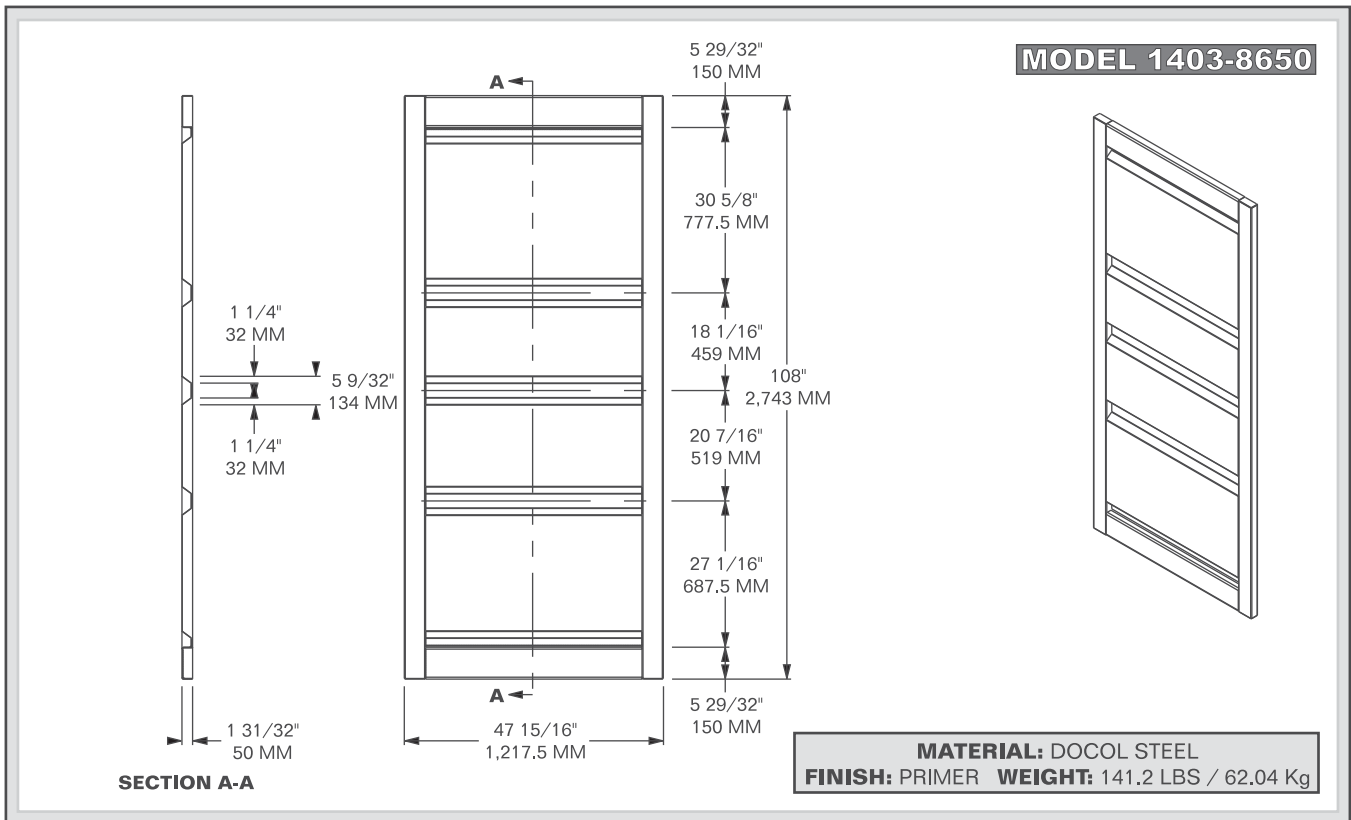
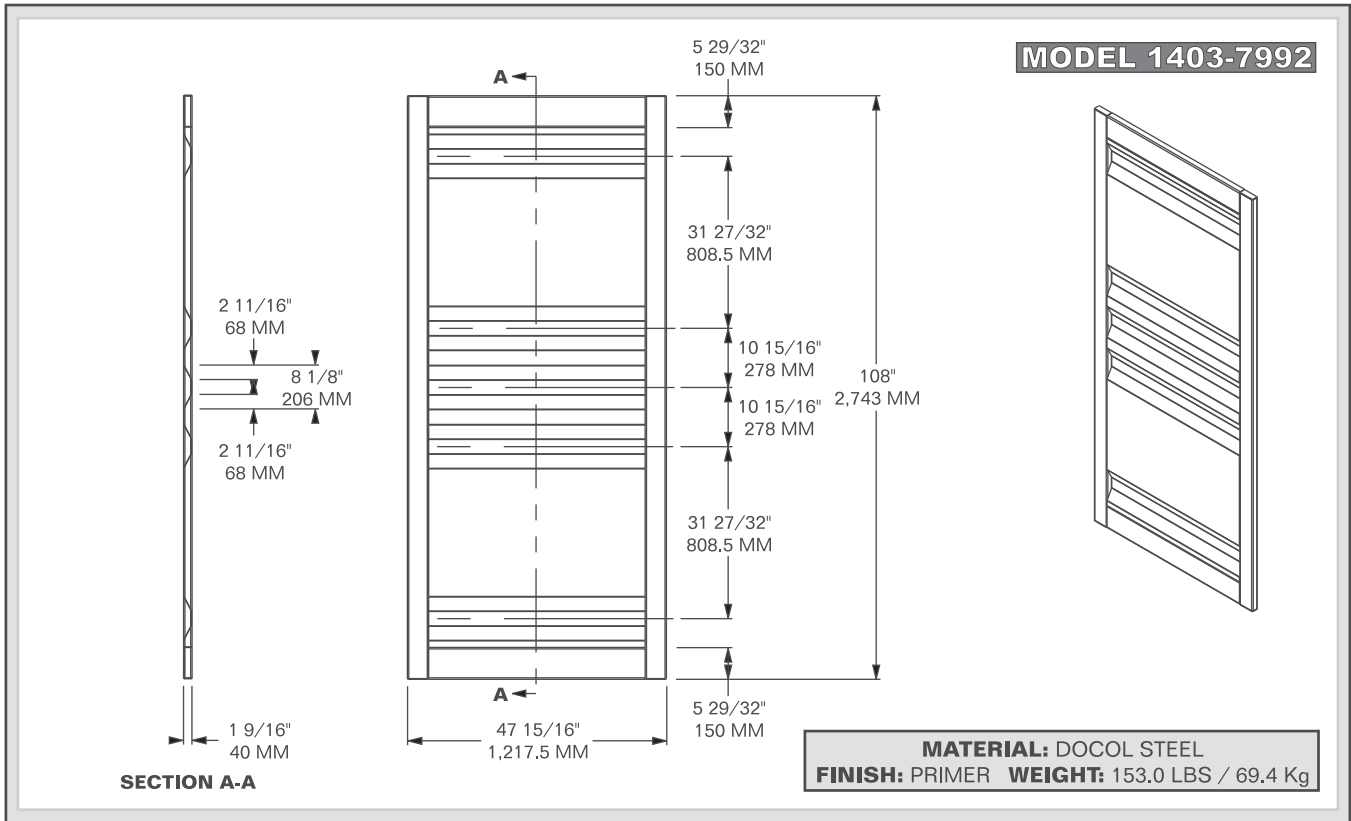
**1403-8023-R**

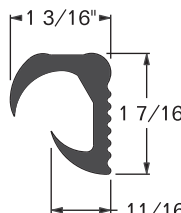
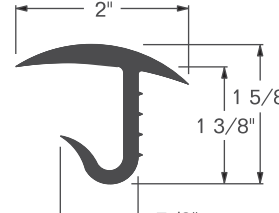
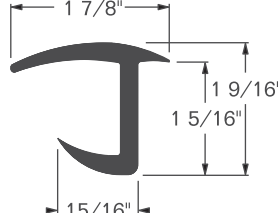
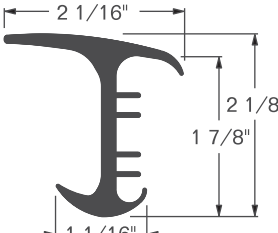
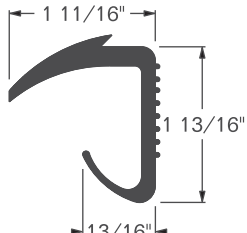
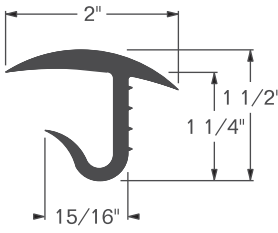
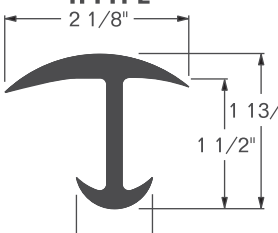
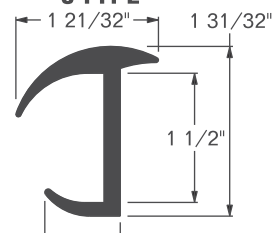
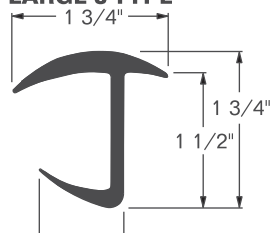
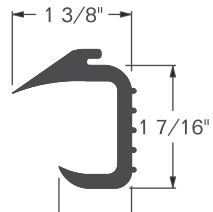
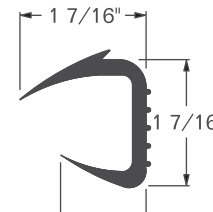
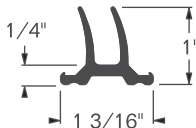


**FITS:** HIGH CUBE 9' 6" DRY ISO CONTAINER **MATERIAL:** CORTEN STEEL  
**FINISH:** PRIMER **ESTIMATED WEIGHT:** 173.0 LBS / 78.5 Kg

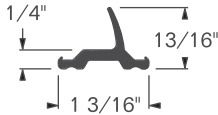
# CONTAINER DOOR BLANKS

FITS 102 3/8" WIDE W/ 1 10" DOOR OPENING



<p><b>MODEL 1404-2279</b> <b>C-TYPE</b></p>  <p><b>FITS:</b> 2" DOOR, BOTTOM <b>WT:</b> 0.30 LBS / ft</p>	<p><b>MODEL 1404-2280</b> <b>J-TYPE</b></p>  <p><b>FITS:</b> 2" DOOR, SIDES AND TOP <b>WT:</b> 0.45 LBS / ft</p>	<p><b>MODEL 1404-2281</b> <b>J-TYPE</b></p>  <p><b>FITS:</b> 2" DOOR, SIDES AND TOP <b>WT:</b> 0.30 LBS / ft</p>
<p><b>MODEL 1404-2282</b> <b>H-TYPE</b></p>  <p><b>FITS:</b> 2" DOOR, SIDES AND TOP <b>WT:</b> 0.45 LBS / ft</p>	<p><b>MODEL 1404-2283</b> <b>C-TYPE</b></p>  <p><b>FITS:</b> 2" DOOR, BOTTOM <b>WT:</b> 0.40 LBS / ft</p>	<p><b>MODEL 1404-2284</b> <b>J-TYPE</b></p>  <p><b>FITS:</b> 1 1/2" - 2" DOOR, SIDES AND TOP <b>WT:</b> 0.35 LBS / ft</p>
<p><b>MODEL 1404-2285</b> <b>H-TYPE</b></p>  <p><b>FITS:</b> 1 1/2" DOOR, SIDES AND TOP <b>WT:</b> 0.30 LBS / ft</p>	<p><b>MODEL 1404-2286</b> <b>J-TYPE</b></p>  <p><b>FITS:</b> 2" DOOR, SIDES AND TOP <b>WT:</b> 0.40 LBS / ft</p>	<p><b>MODEL 1404-2287</b> <b>LARGE J-TYPE</b></p>  <p><b>FITS:</b> 1 3/4" - 2" DOOR, SIDES AND TOP <b>WT:</b> 0.46 LBS / ft</p>
<p><b>MODEL 1404-2288</b> <b>C-TYPE</b></p>  <p><b>FITS:</b> 1 1/2" - 2" DOOR, BOTTOM <b>WT:</b> 0.30 LBS / ft</p>	<p><b>MODEL 1404-2290</b> <b>C-TYPE</b></p>  <p><b>FITS:</b> 1 1/2" - 2" DOOR, BOTTOM <b>WT:</b> 0.35 LBS / ft</p>	<p><b>MODEL 1404-6247-A</b></p>  <p><b>FITS:</b> MCIQ REEFER AND ASSEMBLIES 1404-6247, 1404-6248 <b>WT:</b> 0.18 LBS / ft</p>

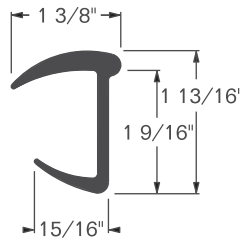
**MODEL 1404-6247-B**



**FITS:** MCIQ REEFER AND ASSEMBLY 1404-6247  
**WT:** 0.12 LBS / ft

**MODEL 1404-6253**

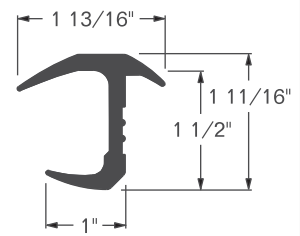
**BTM OF DOOR, C-TYPE**



**FITS:** SINGAMAS 53' x 102", J.B. HUNT  
**WT:** 0.35 LBS / ft

**MODEL 1404-6265**

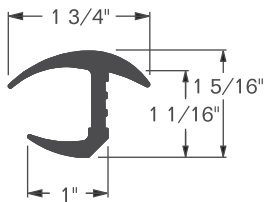
**J-TYPE**



**FITS:** SINGAMAS 53' x 102", J.B. HUNT  
**WT:** 0.43 LBS / ft

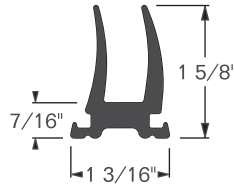
**MODEL 1404-6374**

**NARROW J-TYPE**



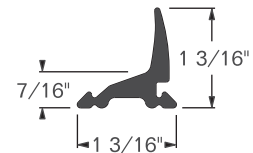
**FITS:** CIMC  
**WT:** 0.34 LBS / ft

**MODEL 1404-6841-2.5M**



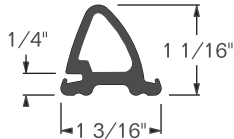
**FITS:** CIMC REEFER AND ASSEMBLIES 1404-6822-L, 1404-6822-R  
**LENGTH:** 98 1/2" / 2.5 M  
**WT:** 2.30 LBS / EA

**MODEL 1404-6842-2.5M**



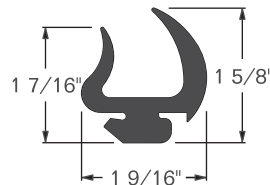
**FITS:** CIMC REEFER AND ASSEMBLY 1404-6822-L  
**LENGTH:** 98 1/2" / 2.5 M  
**WT:** 1.45 LBS / EA

**MODEL 1404-6843-2.5M**



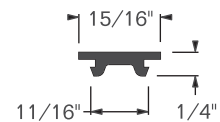
**FITS:** CIMC REEFER AND ASSEMBLIES 1404-6832-L, 1404-6832-R, 1404-6833-L, 1404-6833-R  
**LENGTH:** 98 1/2" / 2.5 M  
**WT:** 1.65 LBS / EA

**MODEL 1404-6844-2.5M**



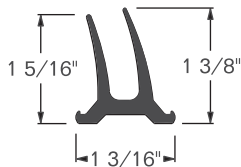
**FITS:** CIMC REEFER AND ASSEMBLIES 1404-6830-L, 1404-6830-R, 1404-6831-L, 1404-6831-R  
**LENGTH:** 98 1/2" / 2.5 M  
**WT:** 1.31 LBS / EA

**MODEL 1404-6845-2.5M**



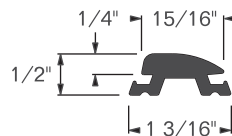
**FITS:** CIMC REEFER AND ASSEMBLIES 1404-6830-L, 1404-6831-L  
**LENGTH:** 98 1/2" / 2.5 M  
**WT:** 0.49 LBS / EA

**MODEL 1404-6846-2.5M**



**FITS:** CIMC REEFER  
**LENGTH:** 98 1/2" / 2.5 M  
**WT:** 1.97 LBS / EA

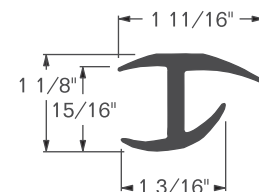
**MODEL 1404-6847-2.5M**



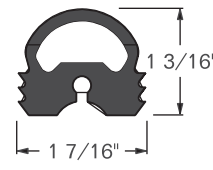
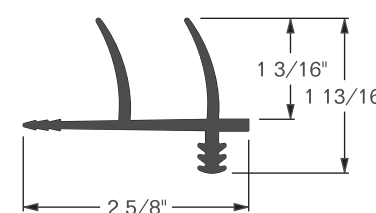
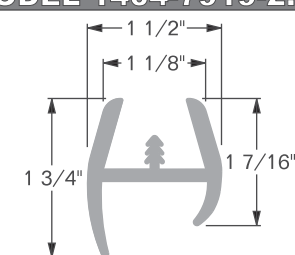
**FITS:** CIMC REEFER AND ASSEMBLIES 1404-6832-L, 1404-6833-L  
**LENGTH:** 98 1/2" / 2.5 M  
**WT:** 1.48 LBS / EA

**MODEL 1404-6853**

**H-TYPE, THIN DOOR, 3/4**



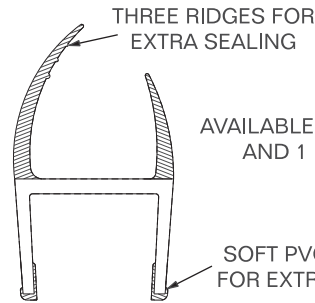
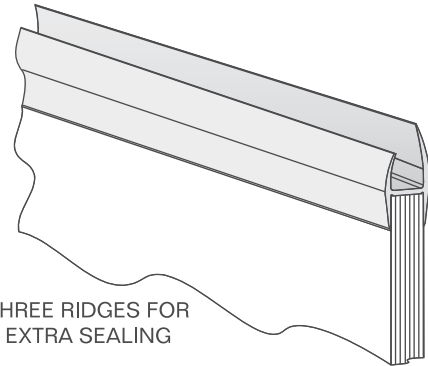
**SPECIAL ORDER ONLY**  
**FITS:** NON ISO CONTAINERS  
**WT:** 0.35 LBS / ft

<p><b>MODEL 1404-7581-2.5M</b></p>  <p><b>FITS:</b> CIMC AND HYUNDAI REEFERS <b>LENGTH:</b> 98 1/2" / 2.5 M <b>WT:</b> 3.92 LBS / EA</p>	<p><b>MODEL 1404-7585-2.5M</b></p>  <p><b>FITS:</b> HYUNDAI REEFER <b>LENGTH:</b> 98 1/2" / 2.5 M <b>WT:</b> 3.08 LBS / EA</p>	<p><b>MODEL 1404-7919-2.5M</b></p>  <p><b>FITS:</b> 1 1/4" PLYMETAL DOORS <b>LENGTH:</b> 98 1/2" / 2.5 M <b>WT:</b> 3.15 LBS / EA <b>COLOR:</b> GRAY</p>

# TRAILER DOOR GASKETS FOR PLYMETAL DOORS

MODEL	FITS DOOR THICKNESS	GASKET LENGTH	GASKET WEIGHT
1404-6657-168	0.50" (12.7 MM)	168" / 14'	3.10 LBS / 1.41 Kg
1404-6998-168	0.75" (19 MM)	168" / 14'	3.25 LBS / 1.47 Kg
1404-6999-116	1.0" (25.4 MM)	116" / 9' 8"	2.90 LBS / 1.18 Kg
1404-6999-168	1.0" (25.4 MM)	168" / 14'	3.40 LBS / 1.54 Kg
1404-7000-116	1.25" (31.75 MM)	116" / 9' 8"	3.45 LBS / 1.56 Kg
1404-7000-168	1.25" (31.75 MM)	168" / 14'	4.90 LBS / 2.22 Kg
1404-7001-116	1.50" (38.1 MM)	116" / 9' 8"	4.25 LBS / 1.92 Kg
1404-7001-168	1.50" (38.1 MM)	168" / 14'	6.15 LBS / 2.79 Kg

MODEL	CORNER TABS FIT	SIZE
1404-7005	OUTSIDE	3/4" x 3 1/8" / 19 MM x 80 MM
1404-7006	INSIDE	3/4" x 2 9/16" / 19 MM x 65 MM
1404-7007	INSIDE, WIDE	1 1/4" x 3 5/8" / 32 MM x 75 MM



THREE RIDGES FOR  
EXTRA SEALING

AVAILABLE TO FIT 1/2", 3/4", 1", 1 1/4",  
AND 1 1/2" PLYMETAL DOORS

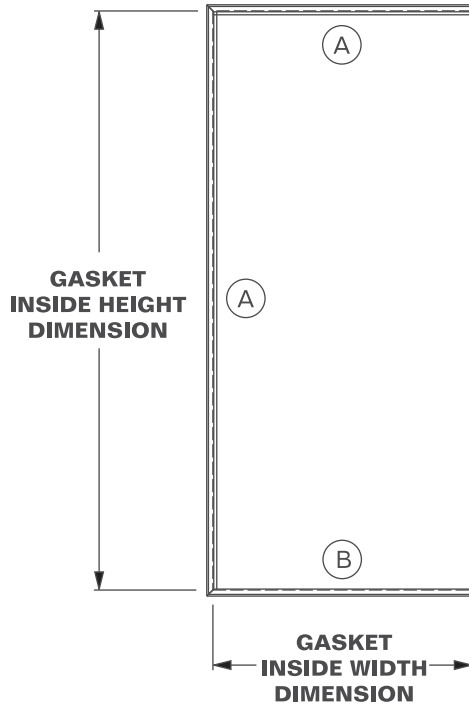
SOFT PVC AT ENDS  
FOR EXTRA SEALING

DUAL DUROMETER DESIGN  
WITH IMPROVED SEALING

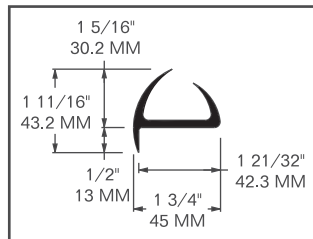
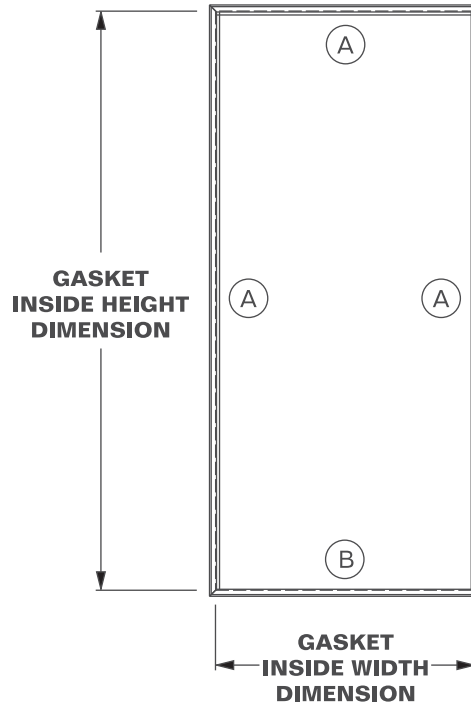


# DOOR GASKET ASSEMBLIES FOR 8' 6" & 9' 6" HEIGHT CONTAINERS

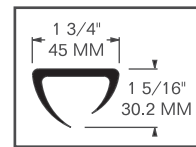
**3-SIDED DOOR GASKET**



**4-SIDED DOOR GASKET**



PROFILE (A)



PROFILE (B)

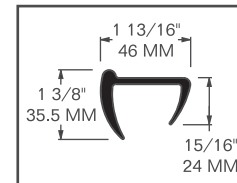
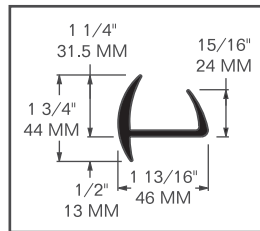
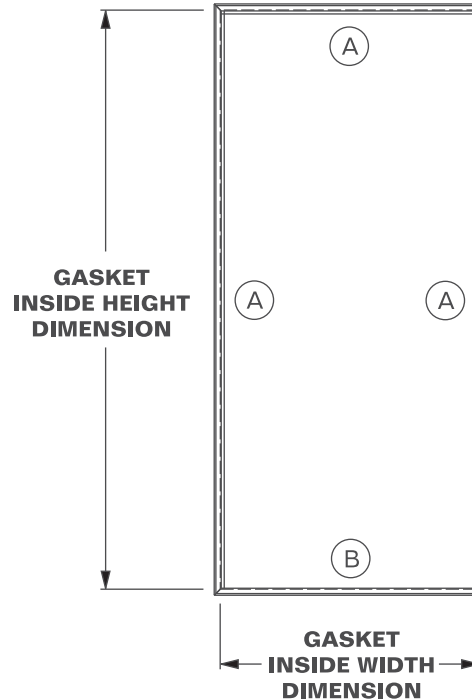
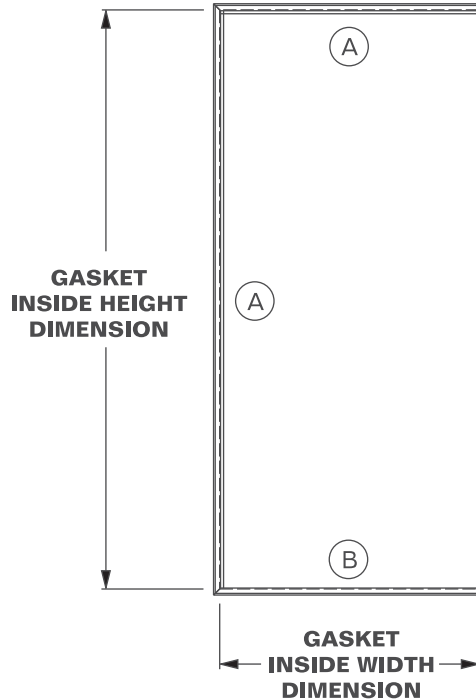
MODEL	DESCRIPTION	GASKET INSIDE WIDTH	GASKET INSIDE HEIGHT	WEIGHT
<b>MODEL 1404-6241</b>	<b>3-SIDED FOR 9' 6" CONTAINER</b>	<b>44" FOR 45" WIDTH DOOR</b>	<b>99" FOR 101" HEIGHT DOOR</b>	<b>5.00 LBS 2.27 Kg</b>
<b>MODEL 1404-6242</b>	<b>4-SIDED FOR 9' 6" CONTAINER</b>	<b>44" FOR 45" WIDTH DOOR</b>	<b>99" FOR 101" HEIGHT DOOR</b>	<b>7.75 LBS 3.52 Kg</b>
<b>MODEL 1404-6243</b>	<b>3-SIDED FOR 8' 6" CONTAINER</b>	<b>44" FOR 45" WIDTH DOOR</b>	<b>87" FOR 88.6" HEIGHT DOOR</b>	<b>5.70 LBS 2.59 Kg</b>
<b>MODEL 1404-6244</b>	<b>4-SIDED FOR 8' 6" CONTAINER</b>	<b>44" FOR 45" WIDTH DOOR</b>	<b>87" FOR 88.6" HEIGHT DOOR</b>	<b>7.95 LBS 3.61 Kg</b>

# DOOR GASKET ASSEMBLIES

FOR 48' & 53' x 102" CONTAINERS  
WITH 107" & 110" DOOR HEIGHT OPENING

**MODELS 1404-6251 & 1404-6261**  
**3-SIDED DOOR GASKET**

**MODELS 1404-6252 & 1404-6262**  
**4-SIDED DOOR GASKET**



PROFILE (B)

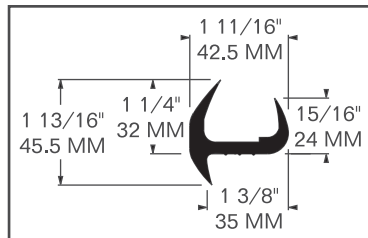
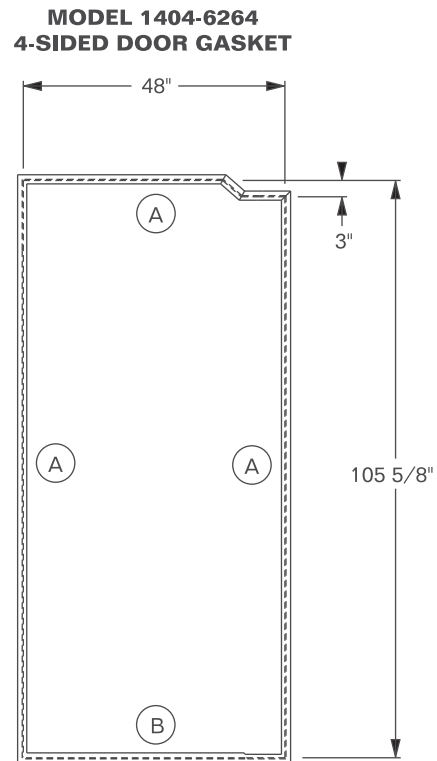
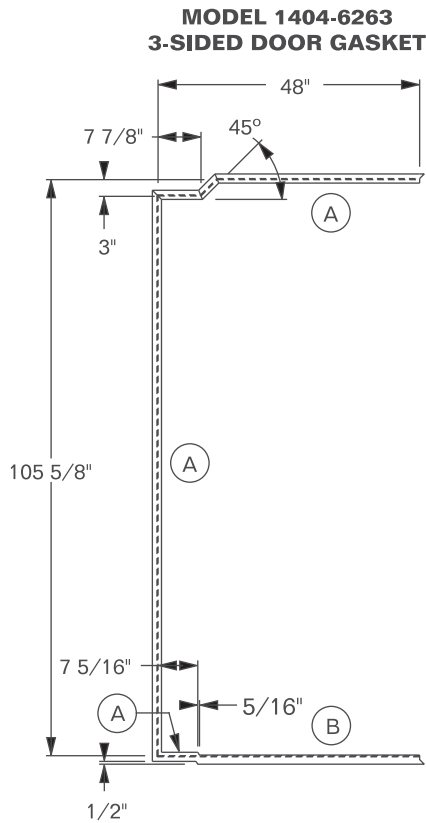
PROFILE (A)

**MODELS 1404-6251 & 1404-6252 FIT:** CSX 48' x 107" H, PACER 48', 53' x 107" H  
**MODELS 1404-6261 & 1404-6262 FIT:** JB HUNT, CSX, PACER 53' x 110" H

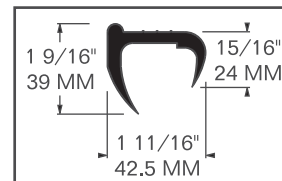
MODEL	DESCRIPTION	GASKET INSIDE WIDTH	GASKET INSIDE HEIGHT	WEIGHT
<b>MODEL 1404-6251</b>	<b>3-SIDED FOR 107" DOOR OPENING</b>	<b>47 1/4"</b>	<b>104"</b>	<b>7.05 LBS 3.2 Kg</b>
<b>MODEL 1404-6252</b>	<b>4-SIDED FOR 107" DOOR OPENING</b>	<b>47 7/16"</b>	<b>104"</b>	<b>10.65 LBS 4.83 Kg</b>
<b>MODEL 1404-6261</b>	<b>3-SIDED FOR 110" DOOR OPENING</b>	<b>47 1/4"</b>	<b>106 11/16"</b>	<b>7.3 LBS 3.31 Kg</b>
<b>MODEL 1404-6262</b>	<b>4-SIDED FOR 110" DOOR OPENING</b>	<b>47 7/16"</b>	<b>106 11/16"</b>	<b>11.5 LBS 5.22 Kg</b>

# DOOR GASKET ASSEMBLIES

FOR 45' x 102" CONTAINERS  
WITH 110" DOOR HEIGHT OPENING



PROFILE (A)



PROFILE (B)

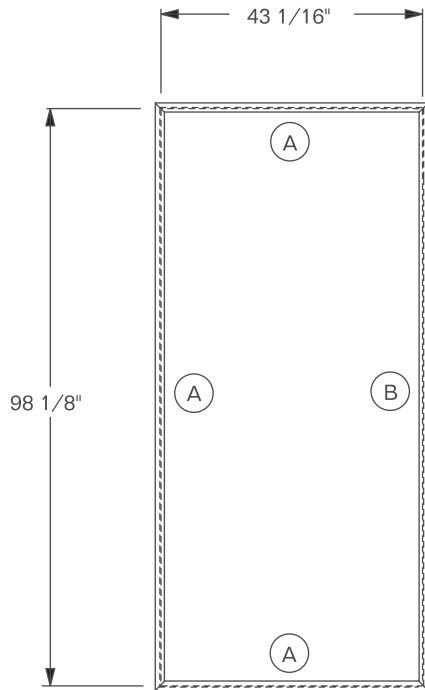
**MODELS 1404-6263 & 1404-6264 FIT: CROWLEY 45' x 102" x 110"**

MODEL	DESCRIPTION	GASKET INSIDE WIDTH	GASKET INSIDE HEIGHT	WEIGHT
<b>MODEL 1404-6263</b>	<b>3-SIDED FOR 110" DOOR OPENING</b>	<b>48"</b>	<b>105 5/8"</b>	<b>7.0 LBS 3.18 Kg</b>
<b>MODEL 1404-6264</b>	<b>4-SIDED FOR 110" DOOR OPENING</b>	<b>48"</b>	<b>105 5/8"</b>	<b>10.45 LBS 4.74 Kg</b>

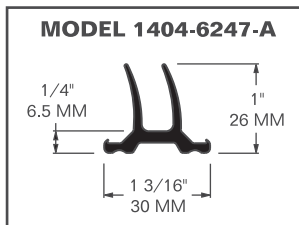
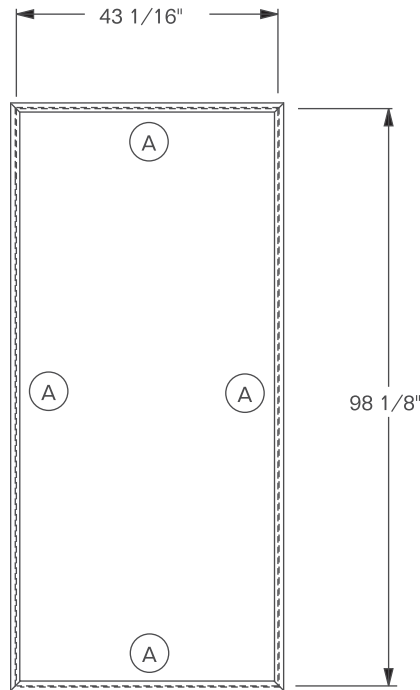
# DOOR GASKET ASSEMBLIES

## 40' & 45' HIGH CUBE REEFER CONTAINERS

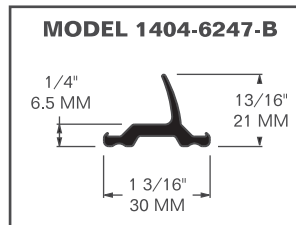
**MODEL 1404-6247**  
THERMAL DOOR GASKET  
INNER, LEFT



**MODEL 1404-6248**  
THERMAL DOOR GASKET  
INNER, RIGHT



PROFILE (A)



PROFILE (B)

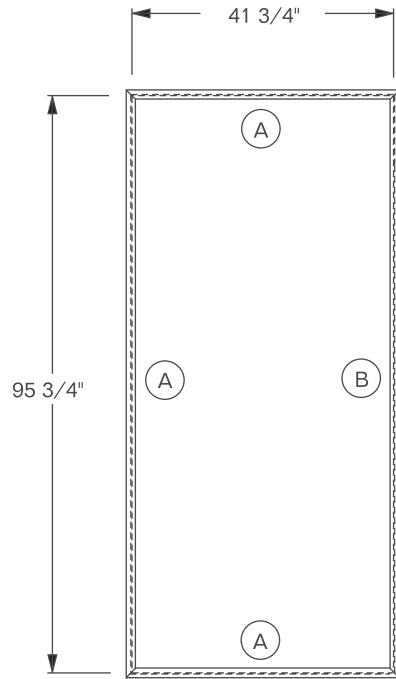
**MODELS 1404-6247 & 1404-6248 FIT: MAERSK 40', 45'**

MODEL	DESCRIPTION	GASKET INSIDE WIDTH	GASKET INSIDE HEIGHT	WEIGHT
<b>MODEL 1404-6247</b>	<b>4-SIDED THERMAL DOOR GASKET (LEFT)</b> SUB FOR: MAERSK 7813629	43 1/16"	98 1/8"	3.6 LBS 1.6 Kg
<b>MODEL 1404-6248</b>	<b>4-SIDED THERMAL DOOR GASKET (RIGHT)</b> SUB FOR: MAERSK 7813478	43 1/16"	98 1/8"	4.0 LBS 1.8 Kg

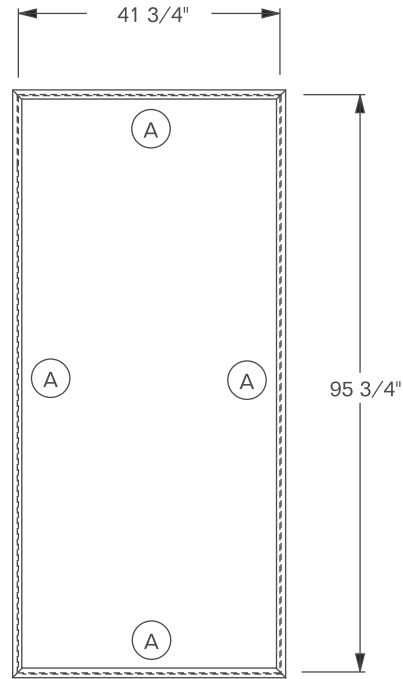
# DOOR GASKET ASSEMBLIES

## 40' HIGH CUBE REEFER CONTAINERS

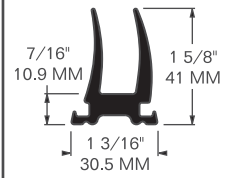
**MODEL 1404-6822-L**  
THERMAL DOOR GASKET  
INNER, LEFT



**MODEL 1404-6822-R**  
THERMAL DOOR GASKET  
INNER, RIGHT

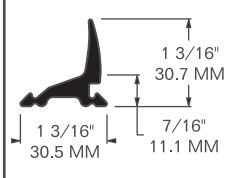


**MODEL 1404-6841**



PROFILE (A)

**MODEL 1404-6842**



PROFILE (B)

**MODELS 1404-6822-L & 1404-6822-R FIT: CIMC 40' x 9' 6" REEFER**

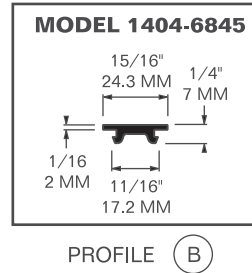
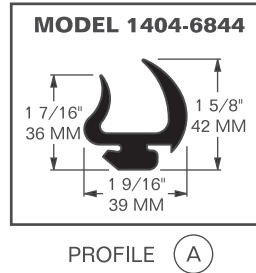
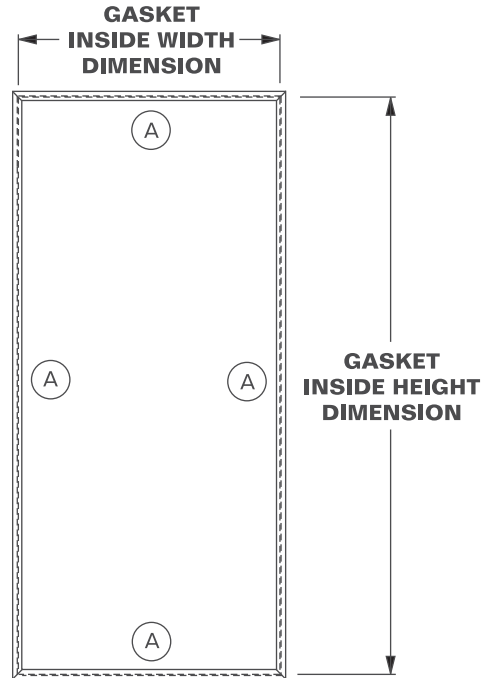
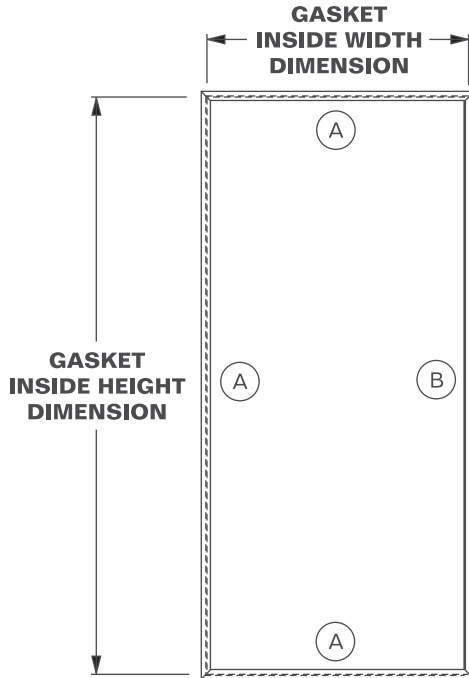
MODEL	DESCRIPTION	GASKET INSIDE WIDTH	GASKET INSIDE HEIGHT	WEIGHT
<b>MODEL 1404-6822-L</b>	<b>4-SIDED THERMAL DOOR GASKET (LEFT)</b> SUB FOR: CIMC 06-005-L	41 3/4"	95 3/4"	<b>7.30 LBS</b> <b>3.30 Kg</b>
<b>MODEL 1404-6822-R</b>	<b>4-SIDED THERMAL DOOR GASKET (RIGHT)</b> SUB FOR: CIMC 06-005-R	41 3/4"	95 3/4"	<b>7.65 LBS</b> <b>3.47 Kg</b>

# DOOR GASKET ASSEMBLIES

## 40' x 8' 6" & 9' 6" REEFER CONTAINERS

**MODEL 1404-6830-L (8' 6")**  
**MODEL 1404-6831-L (9' 6")**  
**DOOR GASKET, INNER, LEFT**

**MODEL 1404-6830-R (8' 6")**  
**MODEL 1404-6831-R (9' 6")**  
**DOOR GASKET, INNER, RIGHT**



**MODELS 1404-6830 & 1404-6831 FIT: CIMC 40'**

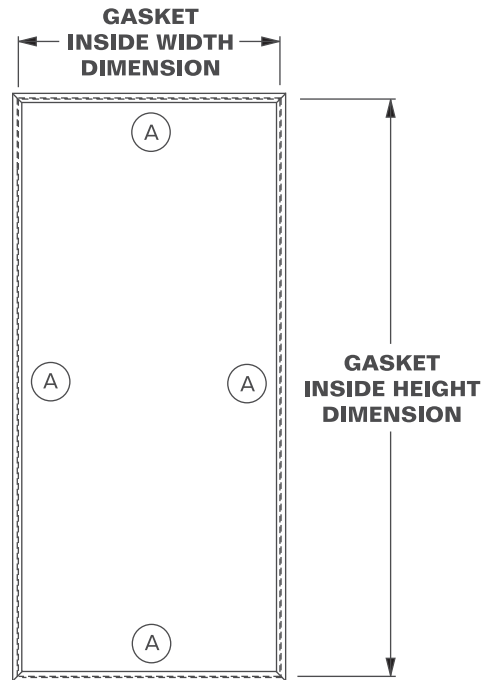
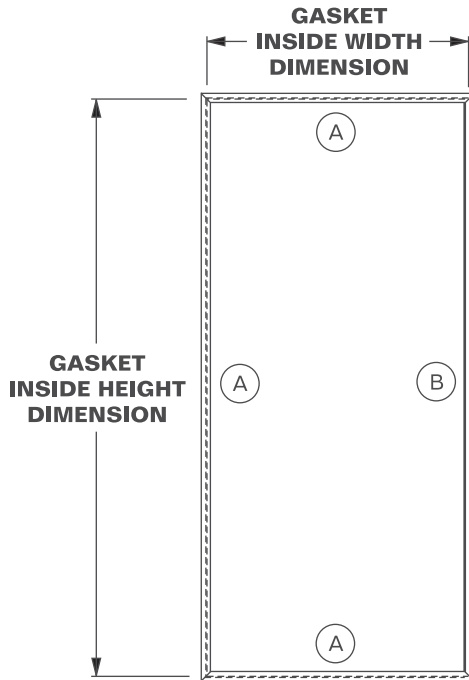
MODEL	DESCRIPTION	GASKET INSIDE WIDTH	GASKET INSIDE HEIGHT	WEIGHT
<b>MODEL 1404-6830-L</b> FOR 8' 6" HEIGHT CONTAINERS	<b>4-SIDED THERMAL DOOR GASKET (LEFT)</b> FITS: CIMC	43 1/8" (1,095 MM) FOR 44" (1,117 MM) DOOR	85" (2,160 MM) FOR 87 11/16" (2,227 MM) DOOR	7.15 LBS 3.24 Kg
<b>MODEL 1404-6830-R</b> FOR 8' 6" HEIGHT CONTAINERS	<b>4-SIDED THERMAL DOOR GASKET (RIGHT)</b> FITS: CIMC	43 1/8" (1,095 MM) FOR 44" (1,117 MM) DOOR	85" (2,160 MM) FOR 87 11/16" (2,227 MM) DOOR	8.65 LBS 3.92 Kg
<b>MODEL 1404-6831-L</b> FOR 9' 6" HEIGHT CONTAINERS	<b>4-SIDED THERMAL DOOR GASKET (LEFT)</b> FITS: CIMC	43 1/8" (1,095 MM) FOR 44" (1,117 MM) DOOR	96 5/8" (2,455 MM) FOR 99 5/8" (2,532 MM) DOOR	7.60 LBS 3.45 Kg
<b>MODEL 1404-6831-R</b> FOR 9' 6" HEIGHT CONTAINERS	<b>4-SIDED THERMAL DOOR GASKET (RIGHT)</b> FITS: CIMC	43 1/8" (1,095 MM) FOR 44" (1,117 MM) DOOR	96 5/8" (2,455 MM) FOR 99 5/8" (2,532 MM) DOOR	9.45 LBS 4.29 Kg

# DOOR GASKET ASSEMBLIES

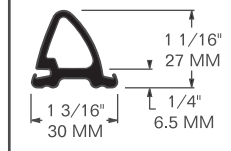
## 40' x 8' 6" & 9' 6" REEFER CONTAINERS

**MODEL 1404-6832-L (8' 6")**  
**MODEL 1404-6833-L (9' 6")**  
**DOOR GASKET, INNER, LEFT**

**MODEL 1404-6832-R (8' 6")**  
**MODEL 1404-6833-R (9' 6")**  
**DOOR GASKET, INNER, RIGHT**

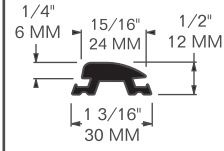


**MODEL 1404-6843**



PROFILE **(A)**

**MODEL 1404-6847**



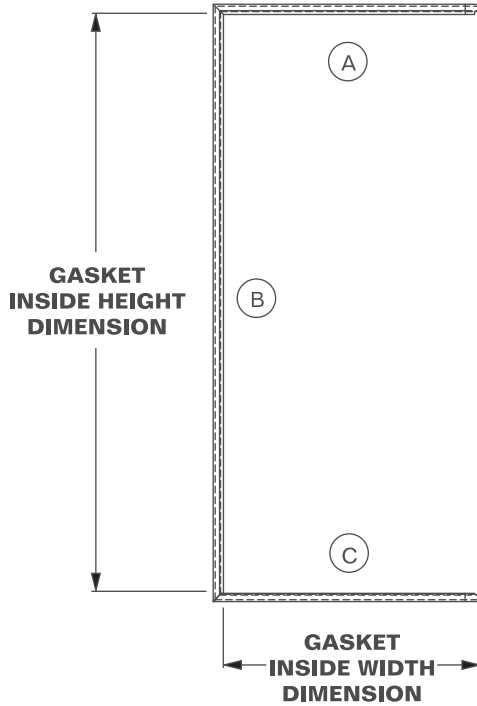
PROFILE **(B)**

**MODELS 1404-6832 & 1404-6833 FIT: CIMC 40'**

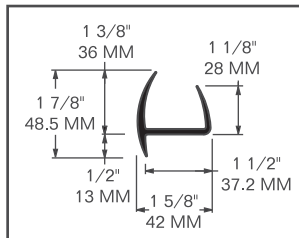
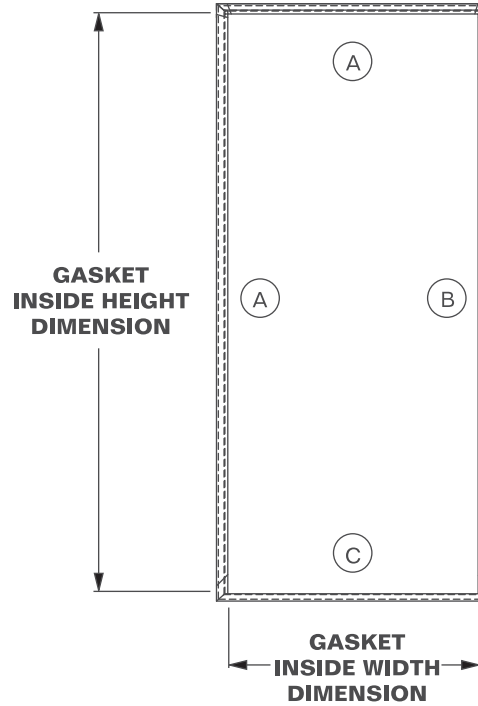
MODEL	DESCRIPTION	GASKET INSIDE WIDTH	GASKET INSIDE HEIGHT	WEIGHT
<b>MODEL 1404-6832-L</b> FOR 8' 6" HEIGHT CONTAINERS	<b>4-SIDED THERMAL DOOR GASKET (LEFT)</b> SUB FOR: CIMC 06-004-L	41 3/4" (1,060 MM) FOR 43 5/8" (1,108 MM) DOOR	81 5/16" (2,065 MM) FOR 87 7/16" (2,220 MM) DOOR	<b>3.65 LBS</b> <b>1.65 Kg</b>
<b>MODEL 1404-6832-R</b> FOR 8' 6" HEIGHT CONTAINERS	<b>4-SIDED THERMAL DOOR GASKET (RIGHT)</b> SUB FOR: CIMC 06-004-R	41 3/4" (1,060 MM) FOR 43 5/8" (1,108 MM) DOOR	81 5/16" (2,065 MM) FOR 87 7/16" (2,220 MM) DOOR	<b>3.85 LBS</b> <b>1.75 Kg</b>
<b>MODEL 1404-6833-L</b> FOR 9' 6" HEIGHT CONTAINERS	<b>4-SIDED THERMAL DOOR GASKET (LEFT)</b> SUB FOR: CIMC 06-003-L	41 3/4" (1,060 MM) FOR 43 5/8" (1,108 MM) DOOR	92 15/16" (2,360 MM) FOR 99 7/16" (2,526 MM) DOOR	<b>3.80 LBS</b> <b>1.72 Kg</b>
<b>MODEL 1404-6833-R</b> FOR 9' 6" HEIGHT CONTAINERS	<b>4-SIDED THERMAL DOOR GASKET (RIGHT)</b> SUB FOR: CIMC 06-003-R	41 3/4" (1,060 MM) FOR 43 5/8" (1,108 MM) DOOR	92 15/16" (2,360 MM) FOR 99 7/16" (2,526 MM) DOOR	<b>4.05 LBS</b> <b>1.84 Kg</b>

# DOOR GASKET ASSEMBLIES FOR MCIQ HIGH CUBE REEFER CONTAINERS

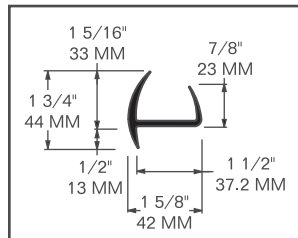
**3-SIDED OUTER DOOR GASKET**



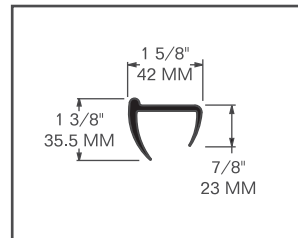
**4-SIDED OUTER DOOR GASKET**



PROFILE (A)



PROFILE (B)



PROFILE (C)

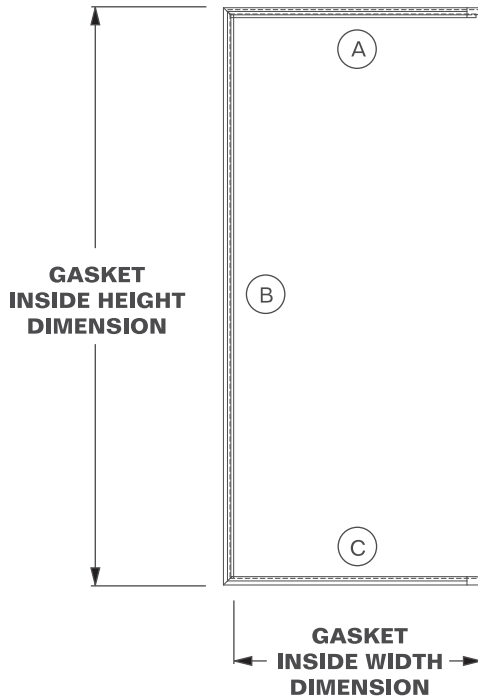
**MODELS 1404-6933 & 1404-6934**  
**SUB FOR: MCIQ 7813100 FITS: 40', 45' x 9' 6" MCIQ REEFERS**

MODEL	DESCRIPTION	GASKET INSIDE WIDTH	GASKET INSIDE HEIGHT	WEIGHT
<b>MODEL 1404-6933</b>	<b>3-SIDED FOR 9' 6" CONTAINER</b>	<b>44" FOR 45" WIDTH DOOR</b>	<b>99" FOR 101" HEIGHT DOOR</b>	<b>5.8 LBS 2.6 Kg</b>
<b>MODEL 1404-6934</b>	<b>4-SIDED FOR 9' 6" CONTAINER</b>	<b>44" FOR 45" WIDTH DOOR</b>	<b>99" FOR 101" HEIGHT DOOR</b>	<b>9.3 LBS 4.2 Kg</b>

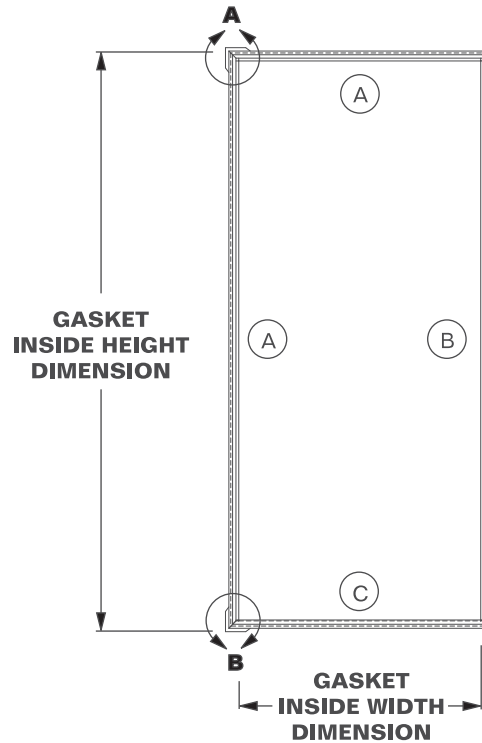


# DOOR GASKET ASSEMBLIES FOR MCIQ HIGH CUBE REEFER CONTAINERS

**3-SIDED OUTER DOOR GASKET**



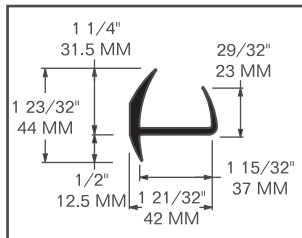
**4-SIDED OUTER DOOR GASKET**



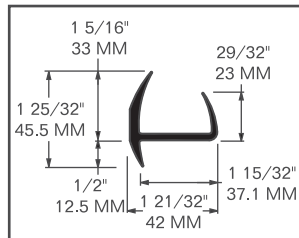
**DETAIL A**



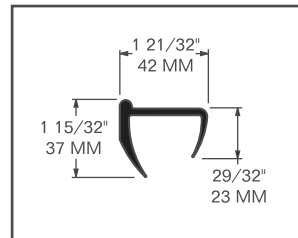
**DETAIL B**



**PROFILE A**



**PROFILE B**

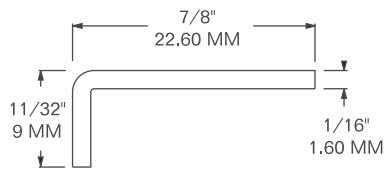


**PROFILE C**

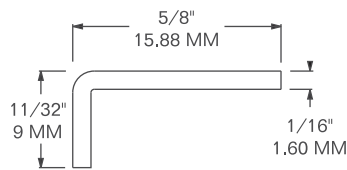
**MODELS 1404-6935 & 1404-6936**  
**SUB FOR: MCIQ 7813151 FITS: 40', 45' x 9' 6\"**

MODEL	DESCRIPTION	GASKET INSIDE WIDTH	GASKET INSIDE HEIGHT	WEIGHT
<b>MODEL 1404-6935</b>	<b>3-SIDED FOR 9'6\"</b>	<b>44\" FOR 45\" WIDTH DOOR</b>	<b>99\" FOR 101\" HEIGHT DOOR</b>	<b>5.5 LBS 2.5 Kg</b>
<b>MODEL 1404-6936</b>	<b>4-SIDED FOR 9'6\"</b>	<b>44\" FOR 45\" WIDTH DOOR</b>	<b>99\" FOR 101\" HEIGHT DOOR</b>	<b>8.2 LBS 3.7 Kg</b>

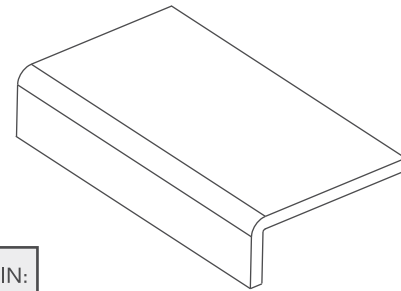
# DOOR GASKET RETAINER



**MODELS 1404-6392,  
1404-6393, 1404-6394,  
1404-6395**



**MODEL 1404-6396**

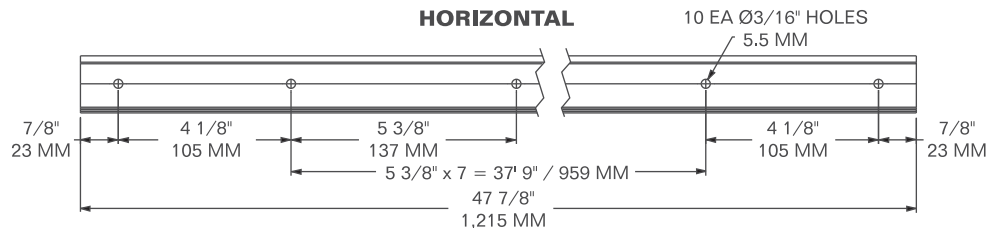


DOOR GASKET RETAINER AVAILABLE IN:  
STEEL WITH HOT DIP GALVANIZED FINISH  
OR STAINLESS STEEL SELF-COLOR

MODEL	SUB FOR	LENGTH	FINISH	WEIGHT
<b>1404-6392</b>	DGR-8HDG	8' / 2,438.4 MM	HOT DIP GALVANIZED	1.82 LBS / 0.83 Kg
<b>1404-6393</b>	DGR-8SS	8' / 2,438.4 MM	STAINLESS STEEL	1.82 LBS / 0.83 Kg
<b>1404-6394</b>	DGR-9HDG	9' / 2,743.2 MM	HOT DIP GALVANIZED	2.05 LBS / 0.93 Kg
<b>1404-6395</b>	DGR-9SS	9' / 2,743.2 MM	STAINLESS STEEL	2.05 LBS / 0.93 Kg
<b>1404-6396</b>	NARROW	9' / 2,743.2 MM	STAINLESS STEEL	1.90 LBS / 0.86 Kg

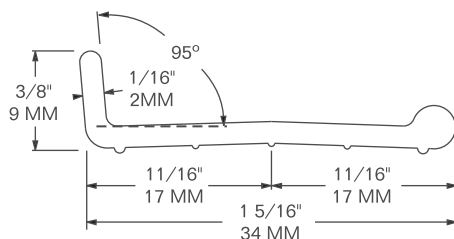
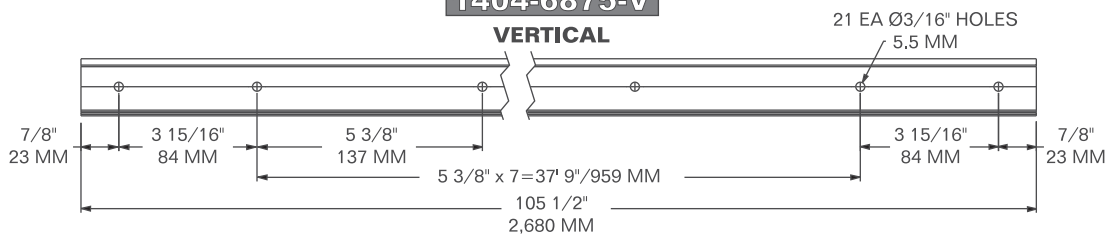
## 1404-6875-H

### HORIZONTAL



## 1404-6875-V

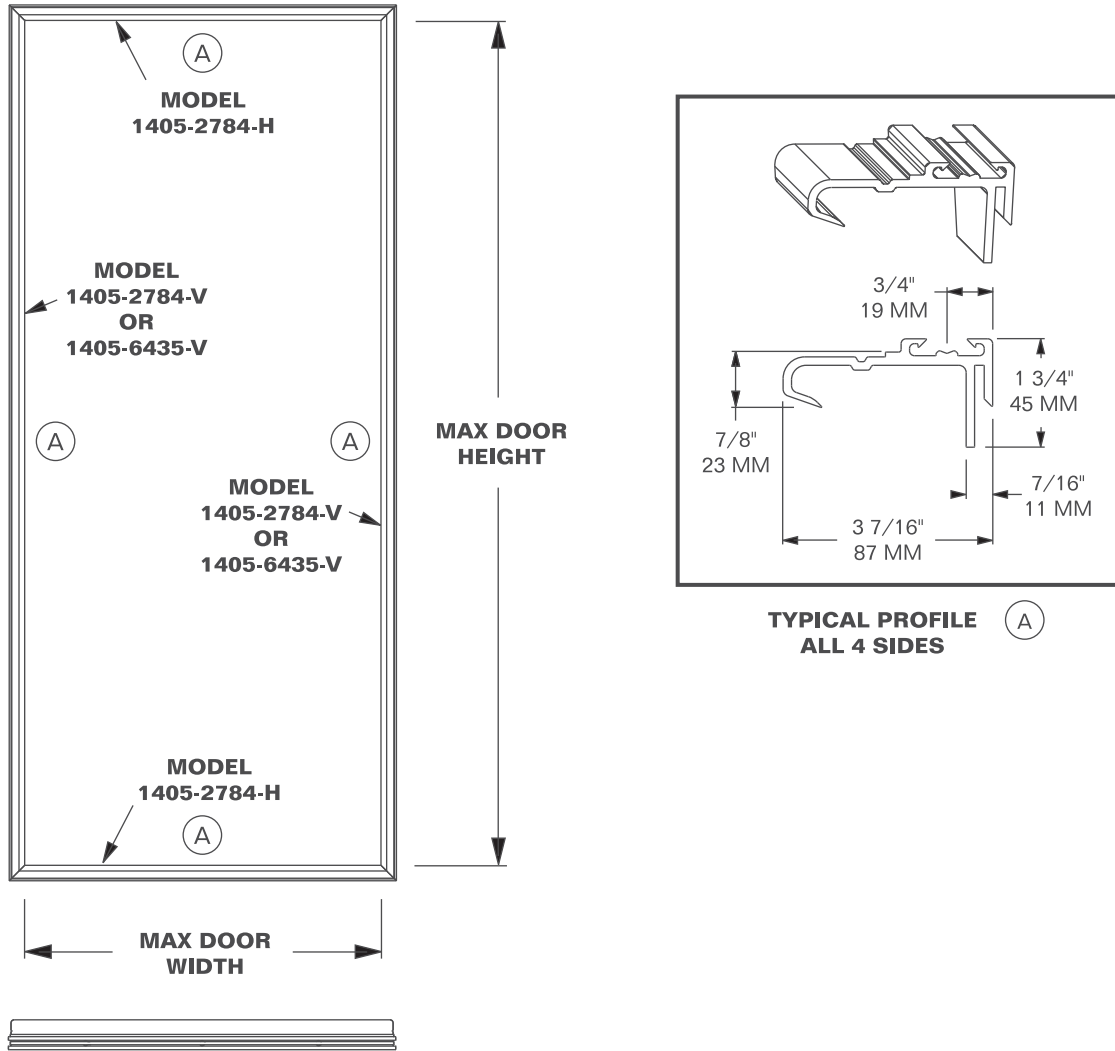
### VERTICAL



**SUB FOR:** JINDO R25700-0020 VERTICAL  
AND JINDO R25700-1220 HORIZONTAL  
**FITS:** 102" WIDE CONTAINERS  
**MATERIAL:** ABS PLASTIC  
**WEIGHT:** MODEL 1404-6875-H 0.24 LBS / 0.11 Kg  
MODEL 1404-6875-V 0.52 LBS / 0.24 Kg

# DOOR JAMB FRAMES

## PVC AND ALUMINUM FOR REEFERS

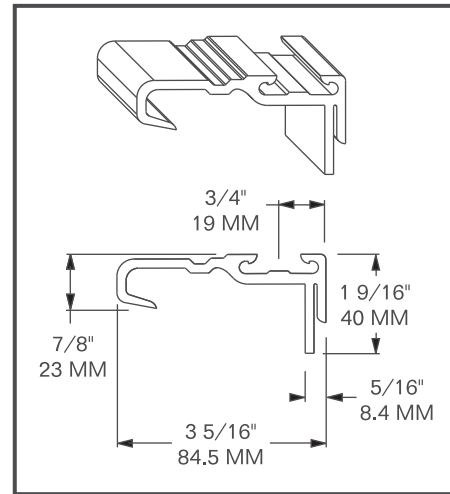
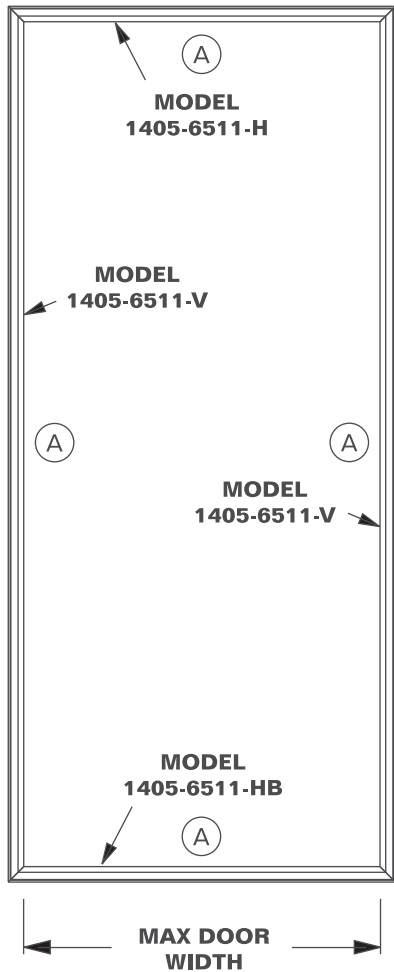


THE BELOW PARTS HAVE PRE-MITERED 45° ENDS AS SHOWN

MODEL	DESCRIPTION	MATERIAL	FINISH	MAX DOOR WIDTH	MAX DOOR HEIGHT	SUB FOR	WEIGHT
MODEL 1405-2784-V	SIDE JAMB (VERTICAL)	PVC	WHITE	—	100 3/8" 2,549 MM	MAERSK 7350007	5.0 LBS 2.3 Kg
MODEL 1405-2784-H	TOP & BTM JAMB (HORIZONTAL)	PVC	WHITE	44 3/8" 1,127 MM	—	MAERSK 7350002	2.18 LBS 1.0 Kg
MODEL 1405-6435-V	SIDE JAMB (VERTICAL)	PVC	WHITE	—	100 3/4" 2,559 MM	MAERSK 7350018	5.0 LBS 2.3 Kg

# DOOR JAMB FRAMES

## PVC AND ALUMINUM FOR REEFERS



TYPICAL PROFILE ALL 4 SIDES

3 EA. DRAIN HOLES ON MODEL 1405-6511-HB ONLY

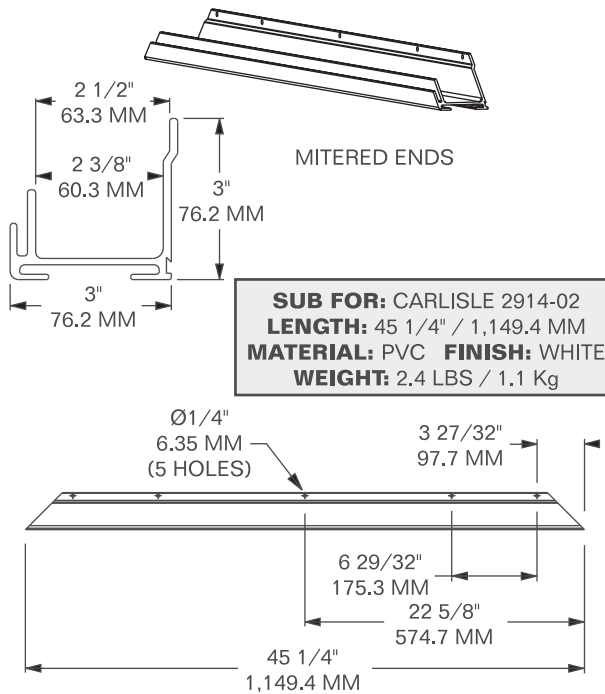
THE BELOW PARTS HAVE PRE-MITERED 45° ENDS AS SHOWN

MODEL	DESCRIPTION	MATERIAL	FINISH	MAX DOOR WIDTH	MAX DOOR HEIGHT	SUB FOR	WEIGHT
MODEL 1405-6511-V	SIDE JAMB (VERTICAL)	PVC	WHITE	—	99 3/8" 2,524 MM	MAERSK 7350117	5.03 LBS 2.28 Kg
MODEL 1405-6511-HT	TOP JAMB (HORIZONTAL)	PVC	WHITE	43 3/8" 1,102 MM	—	MAERSK 7350011	2.08 LBS 0.94 Kg
MODEL 1405-6511-HB	BOTTOM JAMB (HORIZONTAL)	PVC	WHITE	43 3/8" 1,102 MM	—	MAERSK 7350011	2.05 LBS 0.93 Kg

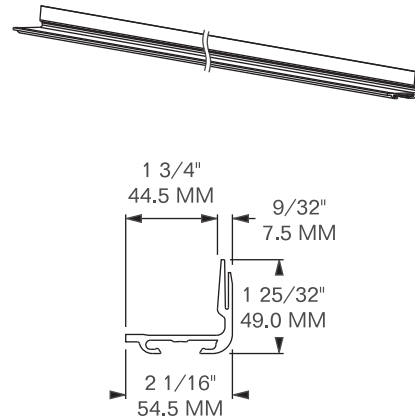
# DOOR JAMB FRAMES

## PVC AND ALUMINUM FOR REEFERS

### MODEL 1405-2623

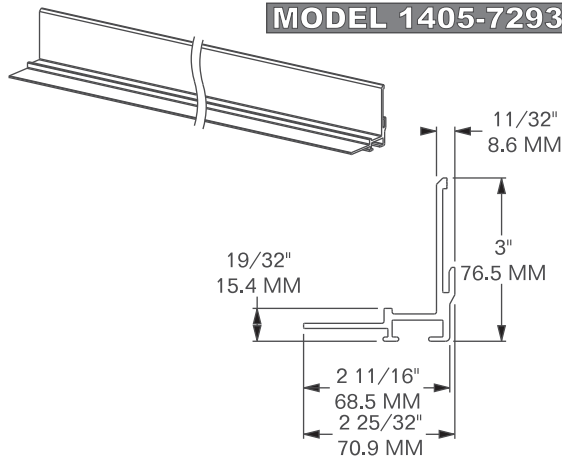


### MODEL 1405-6397



**SUB FOR: HYUNDAI 10009881**  
**LENGTH: 105 7/16" / 2,678 MM**  
**MATERIAL: PVC FINISH: GRAY**  
**WEIGHT: 3.85 LBS / 1.75 Kg**

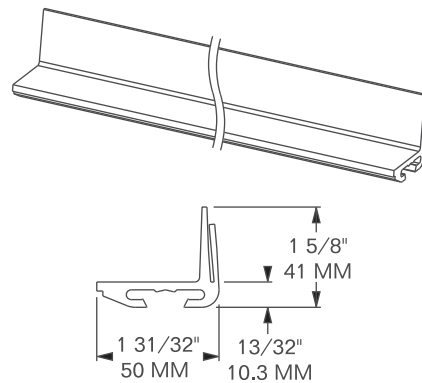
### MODEL 1405-7293-H MODEL 1405-7293-V



**1405-7293-H**  
**FITS: CIMC LENGTH: 44 1/64" / 1,118 MM**  
**MATERIAL: ALUMINUM FINISH: SELF-COLOR**  
**WEIGHT: 3.5 LBS / 1.59 Kg**

**1405-7293-V**  
**FITS: CIMC LENGTH: 88 1/2" / 2,247 MM**  
**MATERIAL: ALUMINUM FINISH: SELF-COLOR**  
**WEIGHT: 7.0 LBS / 3.2 Kg**

### MODEL 1405-7310-H MODEL 1405-7310-V



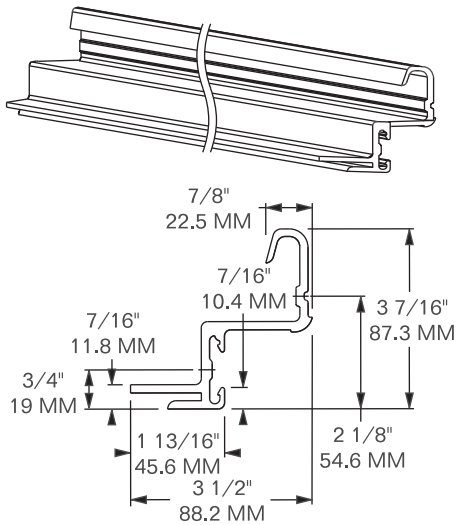
**1405-7310-H**  
**FITS: CIMC LENGTH: 45" / 1,143 MM**  
**MATERIAL: PVC FINISH: OFF-WHITE**  
**WEIGHT: 1.7 LBS / 0.8 Kg**

**1405-7310-V**  
**FITS: CIMC LENGTH: 89 3/8" / 2,270 MM**  
**MATERIAL: PVC FINISH: OFF-WHITE**  
**WEIGHT: 3.5 LBS / 1.6 Kg**

# DOOR JAMB FRAMES

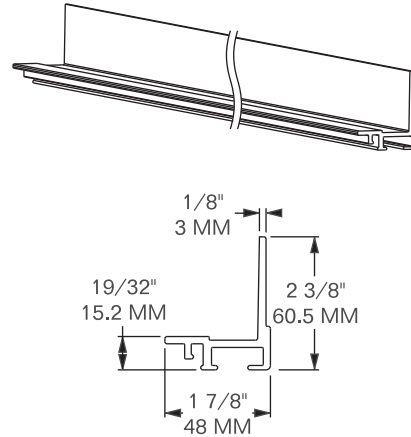
## PVC AND ALUMINUM FOR REEFERS

**MODEL 1405-7398**



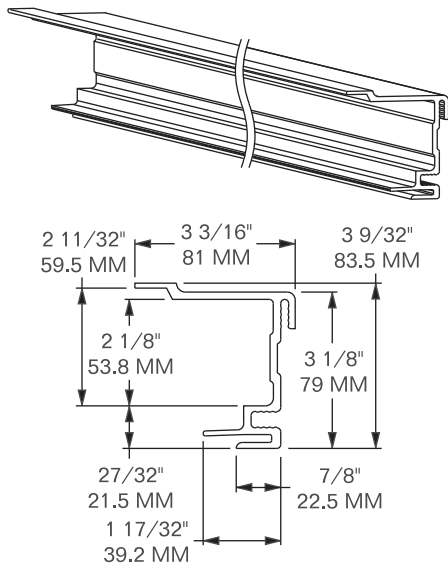
**SUB FOR:** MAERSK 7350051  
**LENGTH:** 44 3/8" / 1,127 MM **MATERIAL:** PVC  
**FINISH:** WHITE **WEIGHT:** 3.00 LBS / 1.36 Kg

**MODEL 1405-7446**



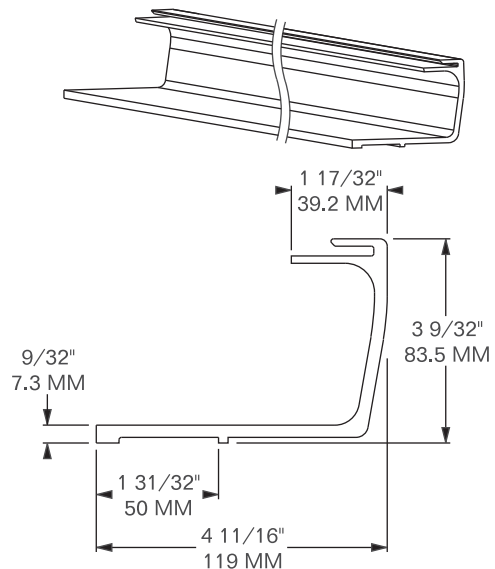
**LENGTH:** 102 3/8" / 2,600 MM  
**MATERIAL:** ALUMINUM  
**FINISH:** SELF-COLOR  
**WEIGHT:** 6.98 LBS / 3.16 Kg

**MODEL 1405-7447**



**LENGTH:** 102 1/2" / 2,604 MM  
**MATERIAL:** PVC  
**FINISH:** TAN  
**WEIGHT:** 6.38 LBS / 2.89 Kg

**MODEL 1405-7448**

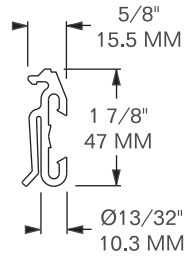
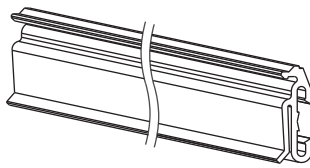


**LENGTH:** 102 1/2" / 2,603.5 MM  
**MATERIAL:** PVC  
**FINISH:** OFF-WHITE  
**WEIGHT:** 10.95 LBS / 4.97 Kg

# DOOR JAMB FRAMES

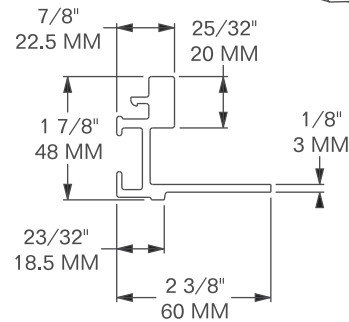
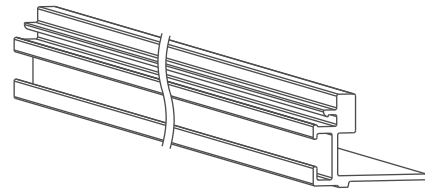
## PVC AND ALUMINUM FOR REEFERS

**MODEL 1405-7449**



**LENGTH:** 102 1/2" / 2,603.5 MM  
**MATERIAL:** PVC  
**FINISH:** OFF-WHITE  
**WEIGHT:** 2.56 LBS / 1.16 Kg

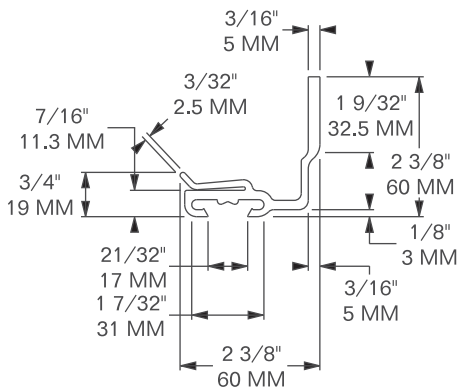
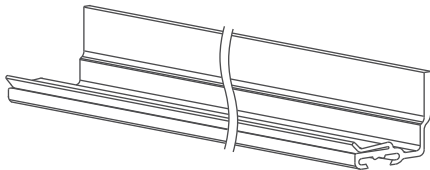
**MODEL 1405-7528**



**SPECIAL ORDER**

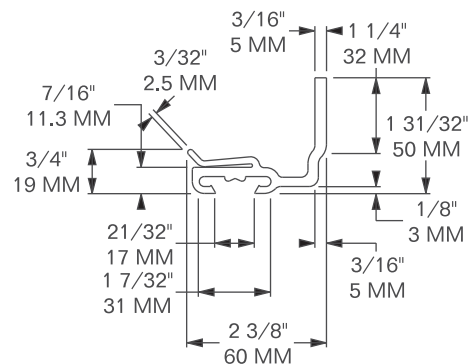
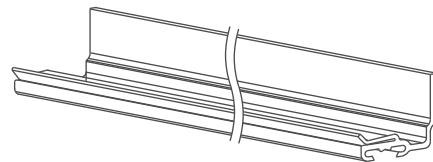
**FITS:** CIMC  
**LENGTH:** 102 3/8" / 2,600 MM  
**MATERIAL:** ALUMINUM  
**FINISH:** SELF-COLOR  
**WEIGHT:** 8.6 LBS / 3.9 Kg

**MODEL 1405-7621**



**FITS:** CIMC  
**LENGTH:** 99 3/16" / 2,519 MM  
**MATERIAL:** PVC **FINISH:** GRAY  
**WEIGHT:** 5.45 LBS / 2.47 Kg

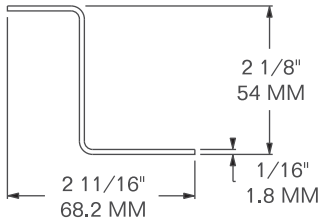
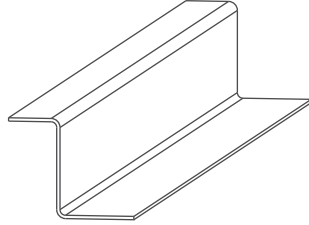
**MODEL 1405-7622**



**FITS:** CIMC  
**LENGTH:** 99 3/16" / 2,519 MM  
**MATERIAL:** PVC **FINISH:** GRAY  
**WEIGHT:** 4.44 LBS / 2.01 Kg

# DOOR STRINGER

**MODEL 1405-7439**  
**DOOR STRINGER**

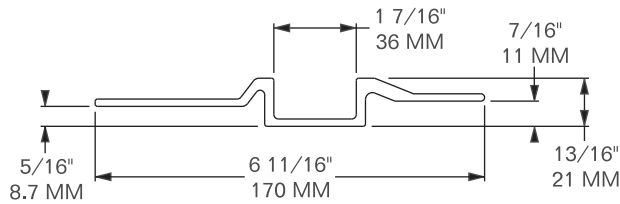
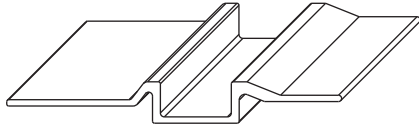


**LENGTH:** 100" / 2,540 MM  
**MATERIAL:** FAB STEEL  
**FINISH:** PRIMER  
**WEIGHT:** 9.21 LBS / 4.18 Kg



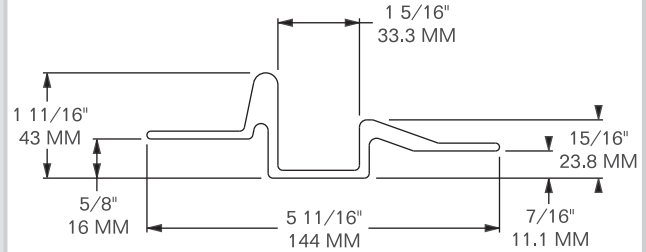
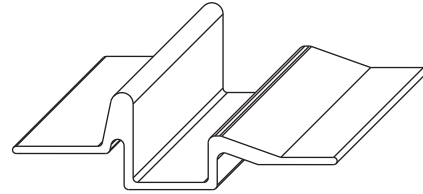
# DOOR SILL GUTTERS REEFERS

**MODEL 1405-6825**



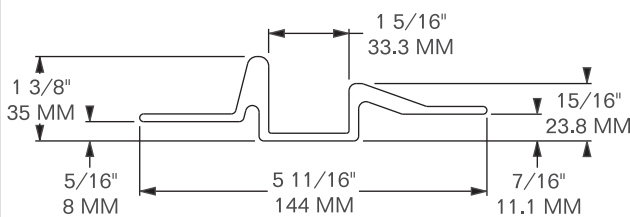
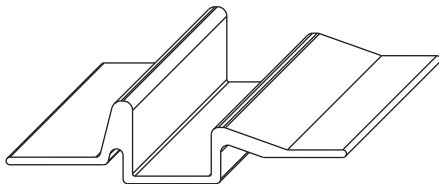
**FITS:** CIMC  
**LENGTH:** 89 15/16" / 2,284 MM  
**MATERIAL:** ALUMINUM  
**FINISH:** SELF-COLOR  
**WEIGHT:** 10.00 LBS / 4.54 Kg

**MODEL 1405-6826**



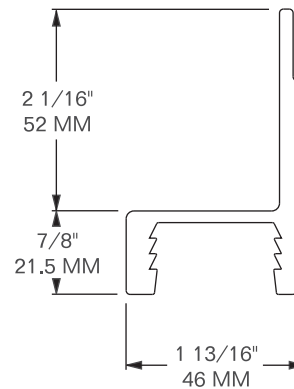
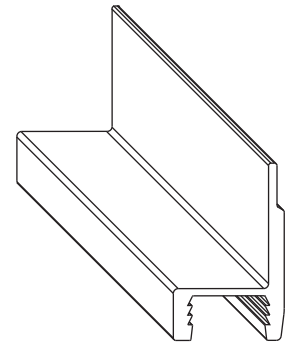
**FITS:** CIMC  
**LENGTH:** 89 15/16" / 2,284 MM  
**MATERIAL:** ALUMINUM  
**FINISH:** SELF-COLOR  
**WEIGHT:** 12.00 LBS / 5.44 Kg

**MODEL 1405-6827**



**FITS:** CIMC  
**LENGTH:** 89 15/16" / 2,284 MM  
**MATERIAL:** ALUMINUM  
**FINISH:** SELF-COLOR  
**WEIGHT:** 11.00 LBS / 4.99 Kg

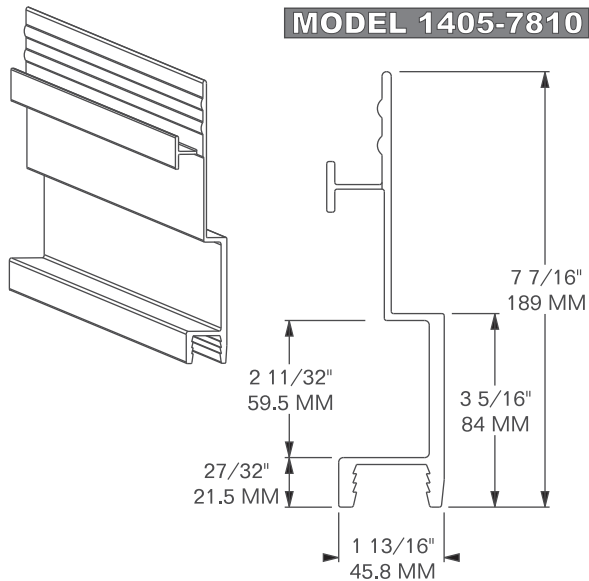
**MODEL 1405-7809**



**LENGTH:** 98" / 2,489 MM  
**MATERIAL:** ALUMINUM  
**FINISH:** SELF-COLOR  
**WEIGHT:** 10.00 LBS / 4.54 Kg

# DOOR SILL GUTTERS REEFERS

**MODEL 1405-7810**



7 7/16"  
189 MM

2 11/32"  
59.5 MM

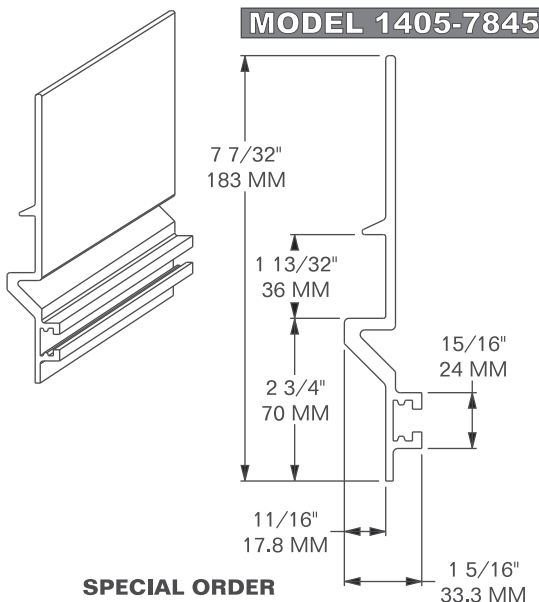
27/32"  
21.5 MM

1 13/16"  
45.8 MM

3 5/16"  
84 MM

**FITS:** CIMC  
**LENGTH:** 91 23/32" / 2,330 MM  
**MATERIAL:** ALUMINUM  
**FINISH:** SELF-COLOR  
**WEIGHT:** 18.8 LBS / 8.5 Kg

**MODEL 1405-7845**



7 7/32"  
183 MM

1 13/32"  
36 MM

2 3/4"  
70 MM

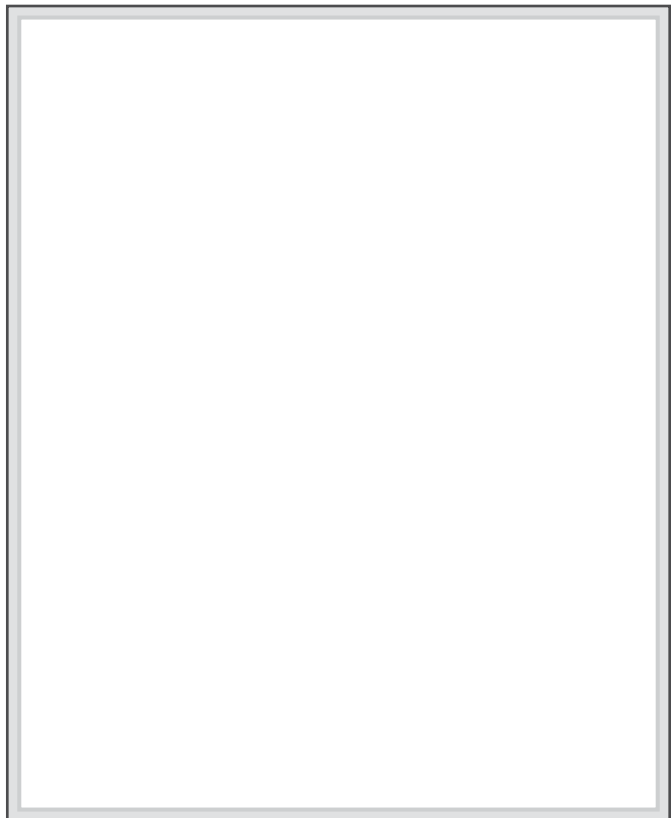
11/16"  
17.8 MM

15/16"  
24 MM

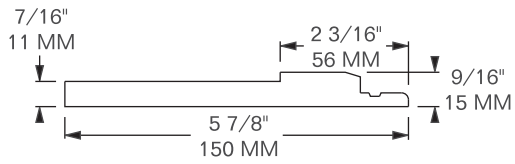
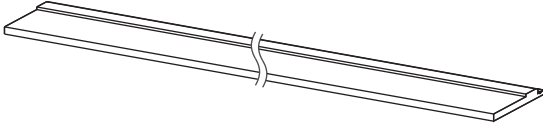
1 5/16"  
33.3 MM

**SPECIAL ORDER**

**FITS:** CIMC  
**LENGTH:** 91 23/32" / 2,330 MM  
**MATERIAL:** ALUMINUM  
**FINISH:** SELF-COLOR  
**WEIGHT:** 14.8 LBS / 6.7 Kg



**MODEL 1405-6824**



**SUB FOR:** CIMC 01-005  
**LENGTH:** 91 3/8" / 2,320.9 MM  
**MATERIAL:** PVC **FINISH:** OFF-WHITE  
**WEIGHT:** 13.00 LBS / 5.90 Kg

# HEMPEL CONTAINER PAINT

<b>MODEL</b>	<b>DESCRIPTION</b>
<b>2401-0808-0000</b>	HEMPEL THINNER, UN-1263
<b>2401-1022-1999</b>	HEMPEL UNDER COATING
<b>2401-4515-5063</b>	HEMPEL, HEMPADUR PRIMER, BROWN
<b>2401-4641-1000</b>	HEMPEL PAINT, UN-1263, WHITE
<b>2401-4641-1040</b>	HEMPEL PAINT, UN-1263, GRAY
<b>2401-4641-1107</b>	HEMPEL PAINT, UN-1263, GRAY (GATEWAY)
<b>2401-4641-1115</b>	HEMPEL PAINT, UN-1263, LT GRAY
<b>2401-4641-1148</b>	HEMPEL PAINT, UN-1263, DK GRAY
<b>2401-4641-1150</b>	HEMPEL PAINT, UN-1263, GRAY (NOL)
<b>2401-4641-1173</b>	HEMPEL PAINT, UN-1263, GRAY (ALIANCA)
<b>2401-4641-1217</b>	HEMPEL PAINT, UN-1263, GRAY (OOCL)
<b>2401-4641-1234</b>	HEMPEL PAINT, UN-1263, GRAY (S-L)
<b>2401-4641-1770</b>	HEMPEL PAINT, UN-1263, GRAY (MAERSK)
<b>2401-4641-1900</b>	USE 2401-4641-1770 INSTEAD
<b>2401-4641-1999</b>	HEMPEL PAINT, UN-1263, BLACK
<b>2401-4641-2025</b>	HEMPEL PAINT, UN-1263, YELLOW (EUROTAINER)
<b>2401-4641-2045</b>	HEMPEL PAINT, UN-1263, OFF WHITE
<b>2401-4641-2047</b>	HEMPEL PAINT, UN-1263, YELLOW (OOCL)
<b>2401-4641-2141</b>	HEMPEL PAINT, UN-1263, YELLOW (OOCL)
<b>2401-4641-2490</b>	HEMPEL PAINT, UN-1263, DESERT STORM TAN
<b>2401-4641-2690</b>	HEMPEL PAINT, UN-1263, BEIGE (MSC)
<b>2401-4641-2715</b>	HEMPEL PAINT, UN-1263, BEIGE (ISRI)
<b>2401-4641-3007</b>	HEMPEL PAINT, UN-1263, BLUE (MAERSK)
<b>2401-4641-3017</b>	HEMPEL PAINT, UN-1263, BLUE (AMFICON)
<b>2401-4641-3018</b>	HEMPEL PAINT, UN-1263, BLUE (CAST/LYKES)
<b>2401-4641-3058</b>	HEMPEL PAINT, UN-1263, BLUE (NYK)
<b>2401-4641-3135</b>	HEMPEL PAINT, UN-1263, BLUE (CSX)
<b>2401-4641-3155</b>	HEMPEL PAINT, UN-1263, DK BLUE (INTERPOOL)
<b>2401-4641-3353</b>	HEMPEL PAINT, UN-1263, BLUE (EUROTAINER)
<b>2401-4641-3393</b>	HEMPEL PAINT, UN-1263, DK BLUE (P&O LINES)
<b>2401-4641-3434</b>	HEMPEL PAINT, UN-1263, BLUE (SEACO)
<b>2401-4641-3724</b>	HEMPEL PAINT, UN-1263, BLUE (HANJIN)
<b>2401-4641-4005</b>	HEMPEL PAINT, UN-1263, GREEN (NSCSA)
<b>2401-4641-4073</b>	HEMPEL PAINT, UN-1263, GREEN

**PAINT SOLD ONLY IN 5 GALLON BUCKETS**

# HEMPEL CONTAINER PAINT

<b>MODEL</b>	<b>DESCRIPTION</b>
<b>2401-4641-4090</b>	HEMPEL PAINT, UN-1263, GREEN (UASC)
<b>2401-4641-4113</b>	HEMPEL PAINT, UN-1263, GREEN (CLOU)
<b>2401-4641-4217</b>	HEMPEL PAINT, UN-1263, GREEN (CONSENT)
<b>2401-4641-4230</b>	HEMPEL PAINT, UN-1263, TEAL GREEN (CHINA SHIPPING)
<b>2401-4641-4265</b>	HEMPEL PAINT, UN-1263, GREEN (EVERGREEN)
<b>2401-4641-4330</b>	HEMPEL PAINT, UN-1263, GREEN (US MILITARY)
<b>2401-4641-4728</b>	HEMPEL PAINT, UN-1263, GREEN (CAPITAL LEASE)
<b>2401-4641-4733</b>	HEMPEL PAINT, UN-1263, GREEN (CHINA SHIPPING)
<b>2401-4641-5004</b>	HEMPEL PAINT, UN-1263, ORANGE (SUNSET)
<b>2401-4641-5063</b>	HEMPEL PAINT, UN-1263, RED-BROWN (FLORENS)
<b>2401-4641-5074</b>	HEMPEL PAINT, UN-1263, RED (SEA-STAR)
<b>2401-4641-5088</b>	HEMPEL PAINT, UN-1263, RED (CTI)
<b>2401-4641-5158</b>	HEMPEL PAINT, UN-1263, RED (CAI)
<b>2401-4641-5171</b>	HEMPEL PAINT, UN-1263, RED (XTRA)
<b>2401-4641-5180</b>	HEMPEL PAINT, UN-1263, BROWN (TEXTAINER)
<b>2401-4641-5225</b>	HEMPEL PAINT, UN-1263, BROWN (TRANSAMERICA)
<b>2401-4641-5309</b>	HEMPEL PAINT, UN-1263, BROWN (TIPHOOK)
<b>2401-4641-5440</b>	HEMPEL PAINT, UN-1263, ORANGE (GENSTAR)
<b>2401-4641-5545</b>	HEMPEL PAINT, UN-1263, RED-ORANGE (K-LINE)
<b>2401-4641-5569</b>	HEMPEL PAINT, UN-1263, RED (MATSON)
<b>2401-4641-5702</b>	HEMPEL PAINT, UN-1263, RED
<b>2401-4641-5711</b>	HEMPEL PAINT, UN-1263, ORANGE (HAPAG-LLOYD)
<b>2401-4641-5720</b>	HEMPEL PAINT, UN-1263, ORANGE (TURKO )
<b>2401-4641-5741</b>	HEMPEL PAINT, UN-1263, RED-ORANGE
<b>2401-4641-6181</b>	HEMPEL PAINT, UN-1263, BROWN (TRITON)
<b>2401-4641-6712</b>	HEMPEL PAINT, UN-1263, BROWN (TRANSFRACHT)
<b>2401-4813-10000</b>	HEMPEL PAINT, HE <b>ACRYLIC</b> , WHITE
<b>2401-4813-1010</b>	HEMPEL PAINT, HE <b>ACRYLIC</b> , GRAY (AUST. NAT. LINE)
<b>2401-4813-10100</b>	HEMPEL PAINT, HE <b>ACRYLIC</b> , GRAY
<b>2401-4813-1017</b>	HEMPEL PAINT, HE <b>ACRYLIC</b> , GRAY (ECR GIRDIJIN)
<b>2401-4813-1040</b>	HEMPEL PAINT, HE <b>ACRYLIC</b> , GRAY (COSCO/NEDLLOYD)
<b>2401-4813-1073</b>	HEMPEL PAINT, HE <b>ACRYLIC</b> , GRAY
<b>2401-4813-1107</b>	HEMPEL PAINT, HE <b>ACRYLIC</b> , GRAY (GATEWAY)
<b>2401-4813-1115</b>	HEMPEL PAINT, HE <b>ACRYLIC</b> , GRAY (CSAV)



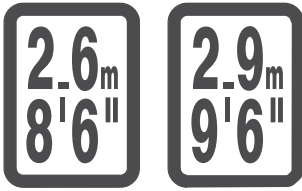

**PAINT SOLD ONLY IN 5 GALLON BUCKETS**

# HEMPEL CONTAINER PAINT

<b>MODEL</b>	<b>DESCRIPTION</b>
<b>2401-4813-1137</b>	HEMPEL PAINT, HE <b>ACRYLIC</b> , GRAY
<b>2401-4813-1148</b>	HEMPEL PAINT, HE <b>ACRYLIC</b> , GRAY
<b>2401-4813-1150</b>	HEMPEL PAINT, HE <b>ACRYLIC</b> , GRAY (NOL)
<b>2401-4813-1217</b>	HEMPEL PAINT, HE <b>ACRYLIC</b> , GRAY (OOCL)
<b>2401-4813-1234</b>	HEMPEL PAINT, HE <b>ACRYLIC</b> , GRAY (SEA-LAND)
<b>2401-4813-1713</b>	HEMPEL PAINT, HE <b>ACRYLIC</b> , GRAY
<b>2401-4813-1738</b>	HEMPEL PAINT, HE <b>ACRYLIC</b> , GRAY
<b>2401-4813-1770</b>	HEMPEL PAINT, HE <b>ACRYLIC</b> , GRAY (MAERSK-SL)
<b>2401-4813-1900</b>	HEMPEL PAINT, HE <b>ACRYLIC</b> , GRAY
<b>2401-4813-1999</b>	HEMPEL PAINT, HE <b>ACRYLIC</b> , GRAY (ACS)
<b>2401-4813-2025</b>	HEMPEL PAINT, HE <b>ACRYLIC</b> , YELLOW (CAMEROON SHIPPING)
<b>2401-4813-2045</b>	HEMPEL PAINT, HE <b>ACRYLIC</b> , WHITE (EIMSKIP)
<b>2401-4813-2047</b>	HEMPEL PAINT, HE <b>ACRYLIC</b> , YELLOW, CREAM
<b>2401-4813-2141</b>	HEMPEL PAINT, HE <b>ACRYLIC</b> , YELLOW, CREAM
<b>2401-4813-2690</b>	HEMPEL PAINT, HE <b>ACRYLIC</b> , YELLOW (MSC)
<b>2401-4813-3007</b>	HEMPEL PAINT, HE <b>ACRYLIC</b> , BLUE (MAERSK)
<b>2401-4813-3017</b>	HEMPEL PAINT, HE <b>ACRYLIC</b> , BLUE (TOR LINE/SAFMARINE)
<b>2401-4813-3018</b>	HEMPEL PAINT, HE <b>ACRYLIC</b> , BLUE (DELAMS/CTX/OTAL)
<b>2401-4813-3024</b>	HEMPEL PAINT, HE <b>ACRYLIC</b> , BLUE 5 GALLON
<b>2401-4813-3035</b>	HEMPEL PAINT, HE <b>ACRYLIC</b> , BLUE (GEEST NSL)
<b>2401-4813-3045</b>	HEMPEL PAINT, HE <b>ACRYLIC</b> , BLUE (WAN HEI)
<b>2401-4813-3078</b>	HEMPEL PAINT, HE <b>ACRYLIC</b> , BLUE
<b>2401-4813-3084</b>	HEMPEL PAINT, HE <b>ACRYLIC</b> , BLUE (NORDANA)
<b>2401-4813-3155</b>	HEMPEL PAINT, HE <b>ACRYLIC</b> , BLUE (INTERPOOL)
<b>2401-4813-3209</b>	HEMPEL PAINT, HE <b>ACRYLIC</b> , BLUE (GRIMALDI)
<b>2401-4813-3212</b>	HEMPEL PAINT, HE <b>ACRYLIC</b> , BLUE
<b>2401-4813-3284</b>	HEMPEL PAINT, HE <b>ACRYLIC</b> , BLUE
<b>2401-4813-3353</b>	HEMPEL PAINT, HE <b>ACRYLIC</b> , BLUE
<b>2401-4813-3393</b>	HEMPEL PAINT, HE <b>ACRYLIC</b> , BLUE (CMA/P&O/RCL)
<b>2401-4813-3434</b>	HEMPEL PAINT, HE <b>ACRYLIC</b> , BLUE (GE-SEACO)
<b>2401-4813-3724</b>	HEMPEL PAINT, HE <b>ACRYLIC</b> , BLUE (FINMARE)
<b>2401-4813-4005</b>	HEMPEL PAINT, HE <b>ACRYLIC</b> , GREEN
<b>2401-4813-4022</b>	HEMPEL PAINT, HE <b>ACRYLIC</b> , GREEN
<b>2401-4813-4061</b>	HEMPEL PAINT, HE <b>ACRYLIC</b> , GREEN

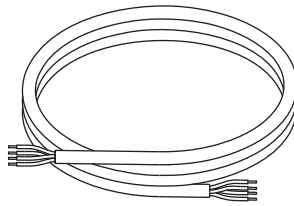
**PAINT SOLD ONLY IN 5 GALLON BUCKETS**



<p><b>MODEL 2404-6130/70</b> I-C-70 DECAL</p> <p><b>MODEL 2404-6130/87</b> I-C-87 DECAL</p>  <p><b>70 87</b></p> <p>5" W x 6 1/2" H WHITE ON CLEAR</p>	<p><b>MODEL 2404-6131-0</b> THROUGH <b>MODEL 2404-6131-9</b> SINGLE DIGIT DECALS</p> <p><b>0 - 9</b></p> <p>4" H WHITE ON CLEAR</p>	<p><b>MODEL 2404-6132-A</b> THROUGH <b>MODEL 2404-6132-Z</b> SINGLE LETTER DECALS</p> <p><b>A - Z</b></p> <p>4" H WHITE ON CLEAR</p>
<p><b>MODEL 2404-6133-0</b> THROUGH <b>MODEL 2404-6133-9</b> FRAMED SINGLE DIGIT DECAL</p>  <p>3" W x 5" H WHITE ON CLEAR</p>	<p><b>MODEL 2404-6134/86</b> <b>MODEL 2404-6134/96</b> HEIGHT DECAL</p>  <p>4 1/2" W x 6" H BLACK LETTERING ON YELLOW BACKGROUND</p>	<p><b>MODEL 2404-6135</b> MGW/TARE/PAYLOAD DECAL</p> <hr/> <p><b>MGW</b> <b>Tare</b> <b>Payload</b></p> <p>12 1/2" W x 9" H WHITE ON CLEAR</p>
<p><b>MODEL 2404-6136</b> WEIGHT DECAL</p> <hr/> <p><b>30480 kg 67200 lb</b> <b>3975 kg 8763 lb</b> <b>26505 kg 58437 lb</b></p> <p>16" W x 9" H WHITE ON CLEAR</p>	<p><b>MODEL 2404-6137</b> STRIPING DECAL FOR HIGH CUBE CONTAINERS</p>  <p>42" W x 2 3/8" H BLACK AND YELLOW DIAGONAL STRIPED</p>	<p><b>MODEL 2404-6246-0</b> THROUGH <b>MODEL 2404-6246-9</b> SINGLE DIGIT DECALS</p> <p><b>0 - 9</b></p> <p>2" H BLACK ON WHITE</p>
<p><b>MODEL 2404-6246-A</b> THROUGH <b>MODEL 2404-6246-Z</b> SINGLE LETTER DECALS</p> <p><b>A - Z</b></p> <p>2" H BLACK ON WHITE</p>	<p><b>MODEL 2404-6249-0</b> THROUGH <b>MODEL 2404-6249-9</b> SINGLE DIGIT DECALS</p> <p><b>0 - 9</b></p> <p>4" H BLACK ON WHITE</p>	<p><b>MODEL 2404-6249-A</b> THROUGH <b>MODEL 2404-6249-Z</b> SINGLE LETTER DECALS</p> <p><b>A - Z</b></p> <p>4" H BLACK ON WHITE</p>

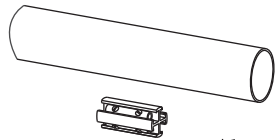


<p><b>MODEL 2404-6250-0</b> THROUGH <b>MODEL 2404-6250-9</b> SINGLE DIGIT DECALS</p> <p><b>0 - 9</b></p> <p>6" H BLACK ON WHITE</p>	<p><b>MODEL 2404-6250-A</b> THROUGH <b>MODEL 2404-6250-Z</b> SINGLE LETTER DECALS</p> <p><b>A - Z</b></p> <p>6" H BLACK ON WHITE</p>	

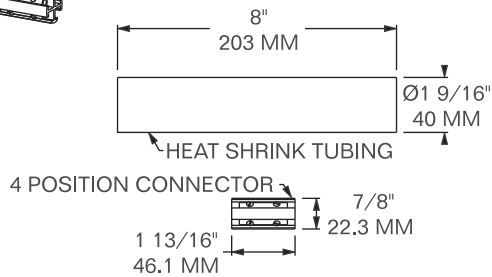


MODEL	SIZE	TYPE	WEIGHT PER FOOT	AMP	LENGTH	COLOR
<b>2601-2702-B</b>	10/4 (10 AWG STRANDED WIRE 4 CONDUCTORS)	SEOOW*	0.33 LBS / 0.15 Kg	25 MAX. PER CONDUCTOR	SOLD BY THE FOOT	BLACK
<b>2601-2702-Y</b>	10/4 (10 AWG STRANDED WIRE 4 CONDUCTORS)	SEOOW*	0.33 LBS / 0.15 Kg	25 MAX. PER CONDUCTOR	SOLD BY THE FOOT	YELLOW
<b>2601-2703-B</b>	8/4 (8 AWG STRANDED WIRE 4 CONDUCTORS)	SEOOW*	0.38 LBS / 0.17 Kg	35 MAX. PER CONDUCTOR	SOLD BY THE FOOT	BLACK
<b>2601-2703-Y</b>	8/4 (8 AWG STRANDED WIRE 4 CONDUCTORS)	SEOOW*	0.38 LBS / 0.17 Kg	35 MAX. PER CONDUCTOR	SOLD BY THE FOOT	YELLOW

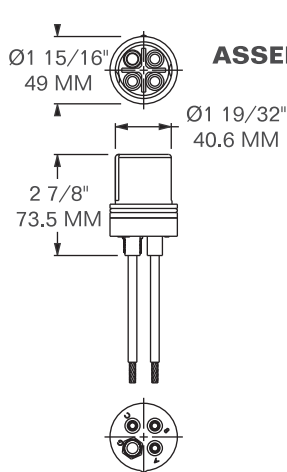
\* 600V PORTABLE OIL AND WATER RESISTANT OUTDOOR FLEXIBLE POWER CABLE.



**MODEL 2601-6273**  
**SPLICE KIT, UF CABLE**  
**DIRECT BURIAL**



**MATERIAL:** HEAT SHRINKABLE TUBING  
**WEIGHT:** 0.17 LBS / 0.08 Kg  
**RATING:** 14/3 TO 8/3 WITH GROUND, 600 V

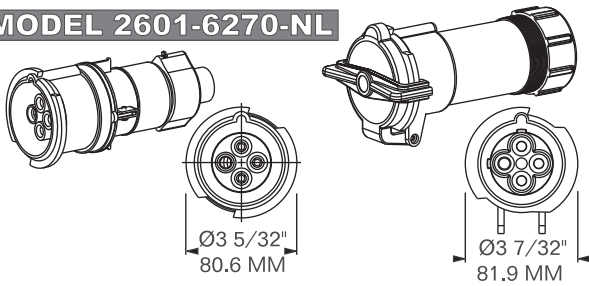


**MODEL 2601-7415**  
**ASSEMBLY, FEMALE INTERIOR**

**WEIGHT:** 0.52 LBS / 0.24 Kg  
**RATING:** 30 AMP, 480 V

**MODEL 2601-6270**  
**FEMALE CONNECTOR**

**MODEL 2601-6270-NL**

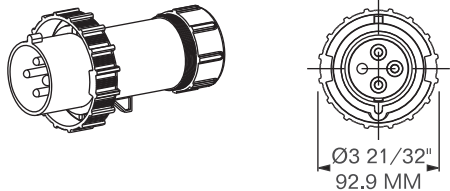


Ø3 5/32"  
80.6 MM

Ø3 7/32"  
81.9 MM

**WORKS WITH:** 2601-6274 MALE PLUG  
**MATERIAL:** HOUSING - POLYAMIDE W/ UV INHIBITORS;  
SLEEVE AND TERMINAL SCREWS - BRASS;  
LOCKING CLIPS AND SCREWS - STAINLESS STEEL  
**WEIGHT:** 1.07 LBS / 0.48 Kg **RATING:** 32 AMP, 440 / 480 V  
**REF #:** 1900-01P

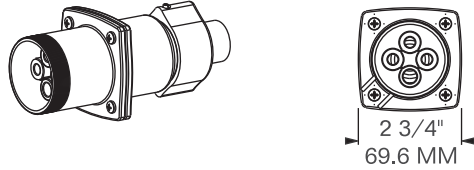
**MODEL 2601-6274**  
**MALE PLUG**



Ø3 21/32"  
92.9 MM

**WORKS WITH:** 2601-6270 FEMALE CONNECTOR  
**MATERIAL:** HOUSING - POLYAMIDE W/ UV INHIBITORS;  
PINS AND TERMINAL SCREWS - BRASS;  
LOCKING CLIPS AND SCREWS - STAINLESS STEEL  
**WEIGHT:** 0.89 LBS / 0.40 Kg **RATING:** 32 AMP, 440 / 480 V  
**REF #:** 1800-03P1A

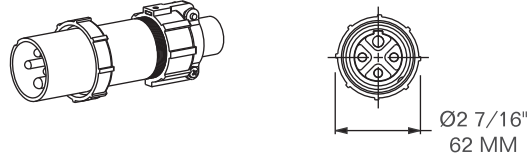
**MODEL 2601-7416**  
**FEMALE CONNECTOR**



2 3/4"  
69.6 MM

**WORKS WITH:** 2601-7417 MALE PLUG  
**MATERIAL:** HOUSING - POLYAMIDE W/ UV INHIBITORS;  
PINS AND TERMINAL SCREWS - BRASS  
**WEIGHT:** 0.66 LBS / 0.30 Kg **RATING:** 50 AMP, 250 V  
**REF #:** 1900-04P

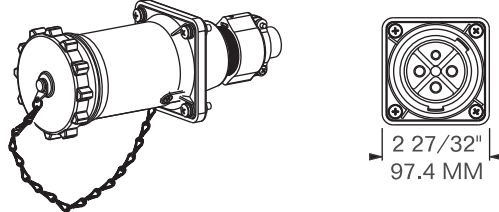
**MODEL 2601-7417**  
**MALE PLUG**



Ø2 7/16"  
62 MM

**WORKS WITH:** 2601-7416 FEMALE CONNECTOR  
**MATERIAL:** HOUSING - POLYAMIDE W/ UV INHIBITORS;  
PINS AND TERMINAL SCREWS - BRASS  
**WEIGHT:** 0.68 LBS / 0.31 Kg **RATING:** 50 AMP, 250 V  
**REF #:** 1800-06P

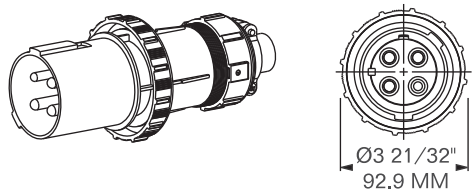
**MODEL 2601-7418**  
**FEMALE CONNECTOR**



2 27/32"  
97.4 MM

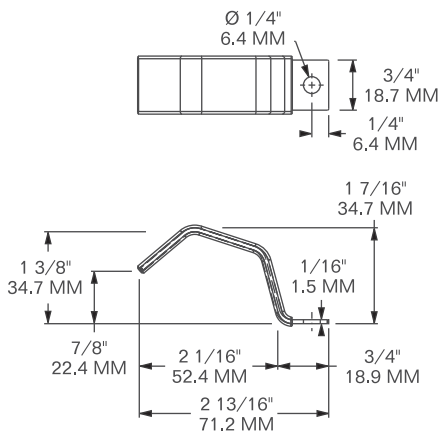
**WORKS WITH:** 2601-7419 MALE PLUG  
**MATERIAL:** HOUSING - POLYAMIDE W/ UV INHIBITORS;  
PINS AND TERMINAL SCREWS - BRASS;  
LOCKING CLIPS AND SCREWS - STAINLESS STEEL  
**WEIGHT:** 1.97 LBS / 0.89 Kg **RATING:** 60 AMP, 240 V  
**REF #:** 1900-02P

**MODEL 2601-7419**  
**MALE PLUG**

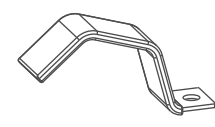


Ø3 21/32"  
92.9 MM

**WORKS WITH:** 2601-7418 FEMALE CONNECTOR  
**MATERIAL:** HOUSING - POLYAMIDE W/ UV INHIBITORS;  
PINS AND TERMINAL SCREWS - BRASS;  
LOCKING CLIPS AND SCREWS - STAINLESS STEEL  
**WEIGHT:** 1.175 LBS / 0.53 Kg **RATING:** 60 AMP, 240 V  
**REF #:** 1800-04P



$\text{Ø } 1/4''$   
6.4 MM  
 $3/4''$   
18.7 MM  
 $1/4''$   
6.4 MM  
 $1 \ 7/16''$   
34.7 MM  
 $1 \ 3/8''$   
34.7 MM  
 $7/8''$   
22.4 MM  
 $2 \ 1/16''$   
52.4 MM  
 $2 \ 13/16''$   
71.2 MM  
 $1/16''$   
1.5 MM  
 $3/4''$   
18.9 MM


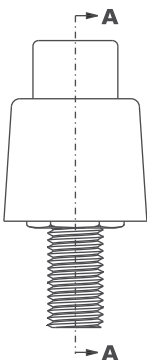
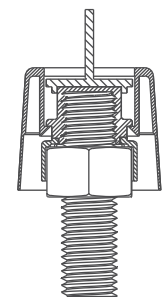


**MODEL 2603-2379**  
**WIRE HARNESS CLAMP**

**MATERIAL:** STAINLESS STEEL  
**FINISH:** VINYL COATED  
**WEIGHT:** 0.05 LBS / 0.02 Kg




# WHEEL STUD SECURITY SEAL INDICATIVE TYPE

**SECTION A-A**

**TIGHTEN WITH TAB NUT.  
TURN UNTIL TAB BREAKS.  
USE GLOVES.**



TAB NUT

CAP WITH LABEL INSIDE  
12345678


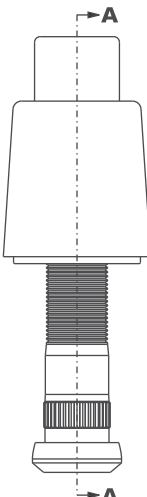
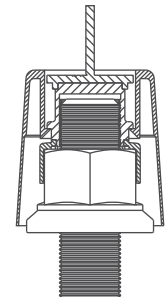
NUT COVER

TYPICAL 3/4"-10 T.P.I.  
WHEEL STUD/LUG NUT

- MADE FROM HIGH IMPACT POLYSTYRENE.
- BREAK-OFF TAB DESIGN ENSURES CONSISTENT CORRECT INSTALLATION.
- MORE SECURE ON SHORTER STUD THREADS.
- CAP IS TRANSLUCENT COLOR ALLOWING INSIDE LABELS TO BE READ FROM OUTSIDE.
- DESIGNED TO BE NON-REMOVABLE, MUST BE BROKEN TO BE REMOVED.
- SERIALIZED NON-PEEL LABEL WITH BARCODE IS STANDARD.
- CLASS I (INDICATIVE).


**MODEL 3201-1326**

**FITS 3/4"-10 T.P.I.  
WHEEL STUD/LUG NUT**

**SECTION A-A**

**TIGHTEN WITH TAB NUT.  
TURN UNTIL TAB BREAKS.  
USE GLOVES.**



TAB NUT

CAP WITH LABEL INSIDE  
12345678

NUT COVER

TYPICAL M22-1.5  
WHEEL STUD/LUG NUT

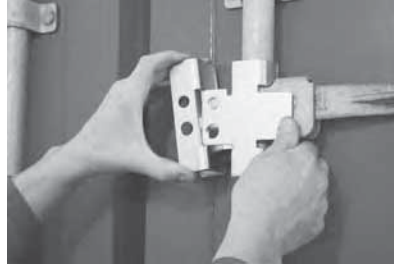
- MADE FROM HIGH IMPACT POLYSTYRENE.
- BREAK-OFF TAB DESIGN ENSURES CONSISTENT CORRECT INSTALLATION.
- MORE SECURE ON SHORTER STUD THREADS.
- CAP IS TRANSLUCENT COLOR ALLOWING INSIDE LABELS TO BE READ FROM OUTSIDE.
- DESIGNED TO BE NON-REMOVABLE, MUST BE BROKEN TO BE REMOVED.
- SERIALIZED NON-PEEL LABEL WITH BARCODE IS STANDARD.
- CLASS I (INDICATIVE).

**MODEL 3201-2988**

**FITS M22 -1.5  
WHEEL STUD/LUG NUT**

**CONTAINER AND TRAILER LOCK ROD HANDLE LOCK  
RE-USEABLE**

**COMPLETE SET** **MODEL 3202-2950**  
**KEY LOCK ONLY** **MODEL 3202-2949**

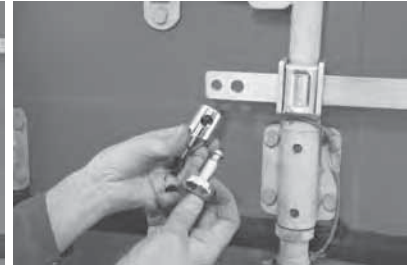
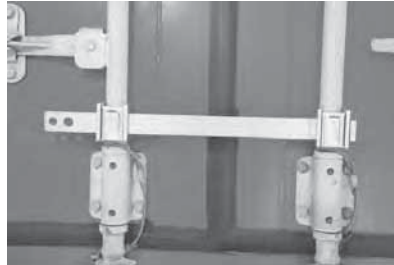


- IDEAL FOR FLEETS AND ALL OWNER-OPERATED UNITS
- PREVENTS TURNING OF THE LOCK ROD AND THE DRILLING OF THE HANDLE RIVET
- VERY EASY TO FIT AND LOCK WITH KEY
- LOCK BOLT SPINS AND IS TOO SHORT FOR BOLT CUTTER

**CLASS: H**  
**PACKAGING: 10 SETS / BOX**  
**WEIGHT: 3202-2950 3.30 LBS / SET**  
**3202-2949 1.19 LBS / SET**

**CONTAINER DOOR LOCK WITH KEY  
RE-USEABLE**

**COMPLETE SET** **MODEL 3202-2951**  
**KEY LOCK ONLY** **MODEL 3202-2949**

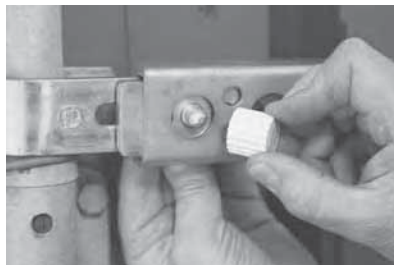


- IDEAL FOR FLEETS AND ALL OWNER-OPERATED UNITS
- HEAVY-DUTY 5-PART RE-USEABLE LOCK ROD CLAMP SECURED WITH SPECIAL KEY-OPERATED LOCK
- SECURES ONE LOCK ROD ON EACH DOOR TO HEAVY DUTY FLAT BAR
- LOCK BOLT SPINS AND IS TOO SHORT FOR BOLT CUTTER

**CLASS: H**  
**PACKAGING: 6 SETS / BOX**  
**WEIGHT: 3202-2951 5.35 LBS / SET**  
**3202-2949 1.19 LBS / SET**

**CONTAINER AND TRAILER DOOR LOCKING CLAMP  
ONE TIME USE**

**MODEL 3202-2952**



- WHEN EXTRA SECURITY IS REQUIRED
- EASY TO FIT AND LOCK WITH MINIMUM SLACK
- LOCKING BUSHING CANNOT BE CUT WITH BOLT CUTTER
- REMOVED BY CUTTING THE CLAMP WITH POWER TOOL OR TORCH
- CANNOT BE BENT OFF WITH CROWBAR OR SPLIT WITH FREON

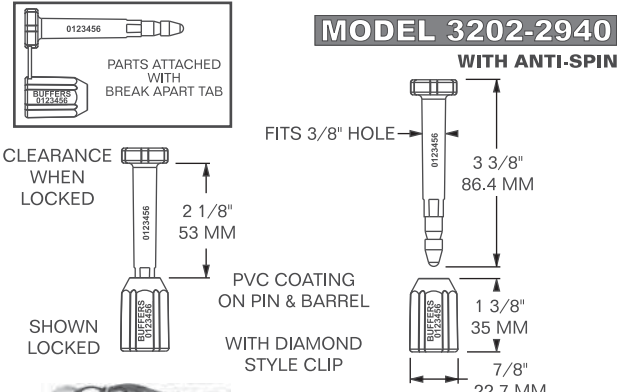
**CLASS: H**  
**PACKAGING: 10 SETS / BOX**  
**WEIGHT: 3.70 LBS / SET**

# SECURITY SEALS

## CLASS H BOLT TYPE

### PER ISO 17712

**MODEL 3202-2940**  
**WITH ANTI-SPIN**



PARTS ATTACHED WITH BREAK APART TAB

CLEARANCE WHEN LOCKED: 2 1/8" / 53 MM

SHOWN LOCKED

FITS 3/8" HOLE

3 3/8" / 86.4 MM

PVC COATING ON PIN & BARREL WITH DIAMOND STYLE CLIP

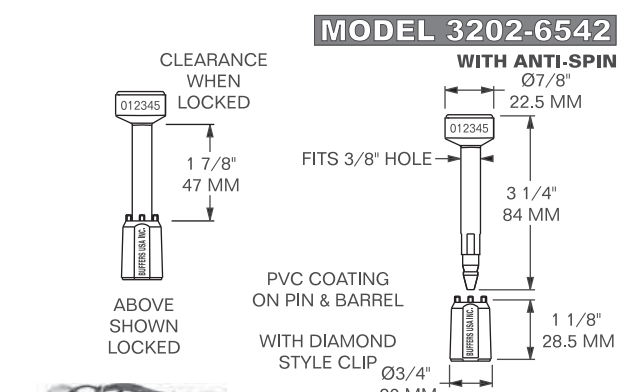
1 3/8" / 35 MM

7/8" / 22.7 MM

**CLASS: H**  
**PACKAGED: 250 PER CARTON**  
**WEIGHT EA: 0.16 LBS / 0.07 Kg**

C-TPAT and ISO 17712:2013 Compliant

**MODEL 3202-6542**  
**WITH ANTI-SPIN**



CLEARANCE WHEN LOCKED: 1 7/8" / 47 MM

ABOVE SHOWN LOCKED

FITS 3/8" HOLE

Ø 7/8" / 22.5 MM

3 1/4" / 84 MM

PVC COATING ON PIN & BARREL WITH DIAMOND STYLE CLIP

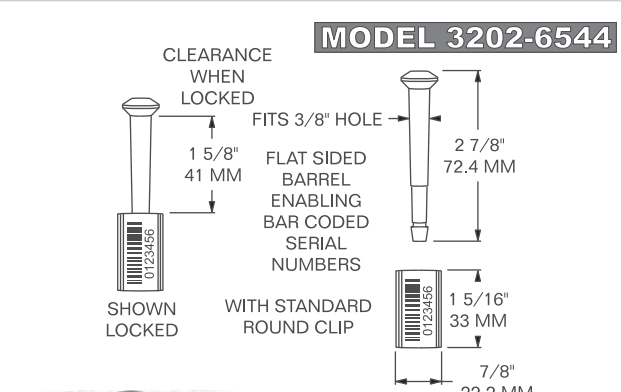
Ø 3/4" / 20 MM

1 1/8" / 28.5 MM

**CLASS: H**  
**PACKAGED: 250 PER CARTON**  
**WEIGHT EA: 0.12 LBS / 0.05 Kg**

Not for use on export shipments.

**MODEL 3202-6544**



CLEARANCE WHEN LOCKED: 1 5/8" / 41 MM

SHOWN LOCKED

FITS 3/8" HOLE

2 7/8" / 72.4 MM

FLAT SIDED BARREL ENABLING BAR CODED SERIAL NUMBERS

WITH STANDARD ROUND CLIP

1 5/16" / 33 MM

7/8" / 22.2 MM

**CLASS: H**  
**PACKAGED: 300 PER CARTON**  
**WEIGHT EA: 0.13 LBS / 0.06 Kg**

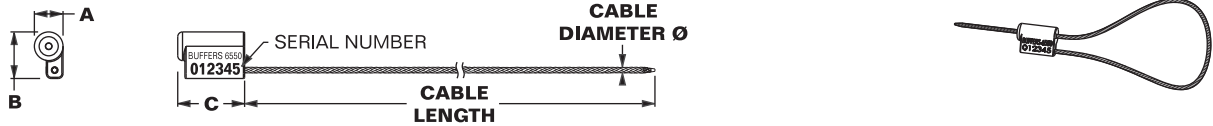
Not for use on export shipments.



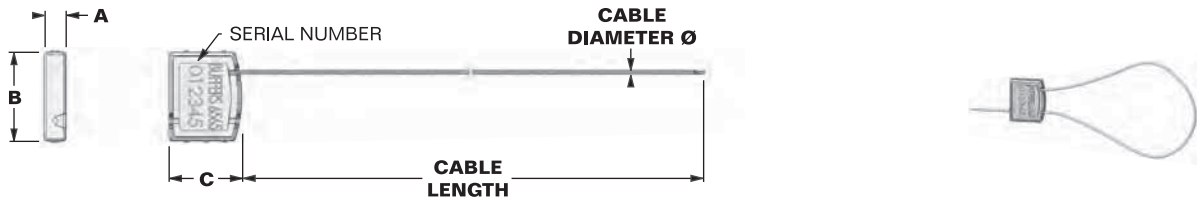


#### PUSH THROUGH CABLE SEAL

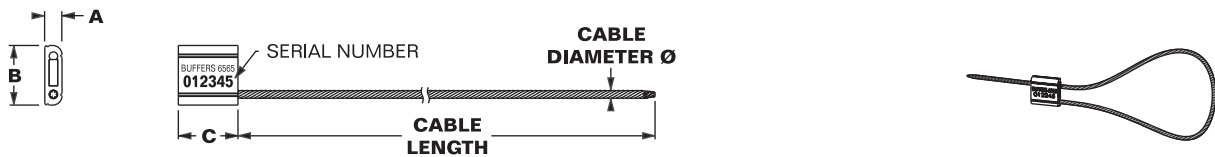
- SELF-LOCKING DESIGN THAT ALLOWS FOR SIZE ADJUSTABLE LOOP.
- SERIAL NUMBER PRINTED ON BODY.
- GALVANIZED FLEXIBLE CABLE.
- CARGO TAMPERING DISCOURAGED DUE TO CABLE THAT FRAYS WHEN CUT.



MODEL	CLASS	BODY MATERIAL	CABLE DIAMETER Ø	CABLE LENGTH	A	B	C	PULL APART STRENGTH	WEIGHT PER PC	PCS/BOX
<b>3202-6541</b>	I	METAL	1/16" 1.8 MM	36" 914 MM	1/2" 12 MM	3/4" 19.5 MM	1 1/16" 27.3 MM	265 LBS 120 Kg	0.04 LBS 0.02 Kg	500
<b>3202-6543</b>	I	METAL	1/16" 1.8 MM	12" 305 MM	1/2" 12 MM	3/4" 19.5 MM	1 1/16" 27.3 MM	265 LBS 120 Kg	0.06 LBS 0.03 Kg	500
<b>3202-6547</b>	I	METAL	1/8" 3.0 MM	12" 305 MM	1/2" 12 MM	3/4" 19.5 MM	1 1/16" 27.3 MM	330 LBS 150 Kg	0.11 LBS 0.05 Kg	300
<b>3202-6550</b>	I	METAL	3/32" 2.5 MM	12" 2.5 MM	1/2" 12 MM	3/4" 19.5 MM	1 1/16" 27.3 MM	290 LBS 130 Kg	0.08 LBS 0.04 Kg	500
<b>3202-6559</b>	I	METAL	3/32" 2.5 MM	48" 1,219 MM	1/2" 12 MM	3/4" 19.5 MM	1 1/16" 27.3 MM	290 LBS 130 Kg	0.11 LBS 0.05 Kg	300



MODEL	CLASS	BODY MATERIAL	CABLE DIAMETER Ø	CABLE LENGTH	A	B	C	PULL APART STRENGTH	WEIGHT PER PC	PCS/BOX
<b>3202-6560</b>	I	PLASTIC	1/16" 1.6 MM	12" 305 MM	5/16" 7.5 MM	1 5/16" 34 MM	1 1/16" 27.5 MM	224 LBS 102 Kg	0.03 LBS 0.01 Kg	1,000
<b>3202-6561</b>	I	PLASTIC	1/16" 1.6 MM	36" 914 MM	5/16" 8.5 MM	1 5/16" 34 MM	1 1/16" 27.5 MM	224 LBS 102 Kg	0.03 LBS 0.01 Kg	500



MODEL	CLASS	BODY MATERIAL	CABLE DIAMETER Ø	CABLE LENGTH	A	B	C	MIN. PULL APART STRENGTH	WEIGHT PER PC	PCS/BOX
<b>3202-6565</b>	H	METAL	9/64" 3.5 MM	12" 305 MM	5/16" 7.5 MM	1 1/32" 26 MM	1 1/32" 26 MM	2,755 LBS 1,250 Kg	0.06 LBS 0.03 Kg	300
<b>3202-6565-5.0</b>	H	METAL	13/64" 5.0 MM	12" 305 MM	3/8" 10 MM	1 1/2" 38 MM	1 3/16" 30 MM	3,000 LBS 1,360 Kg	0.08 LBS 0.04 Kg	200
<b>3202-6566</b>	H	METAL	13/64" 5.0 MM	16" 406 MM	3/8" 10 MM	1 1/2" 38 MM	1 3/16" 30 MM	3,000 LBS 1,360 Kg	0.15 LBS 0.07 Kg	250



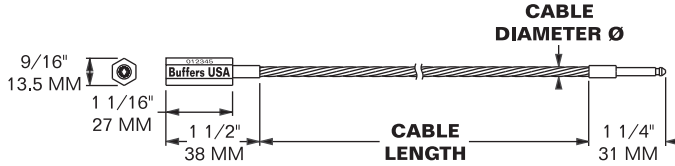
# SECURITY SEALS

## CLASS H, S & I STEEL CABLE TYPE

### ALL SEALS MEET ISO 17712:2010

#### FIXED LOCK CABLE SEAL

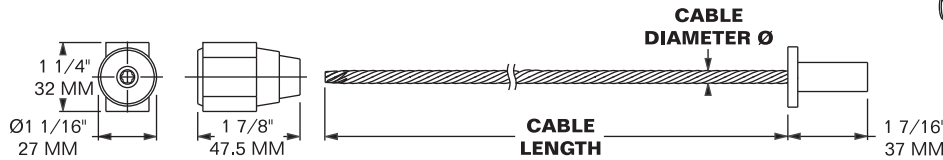
- HIGH STRENGTH, GALVANIZED, FLEXIBLE CABLE.
- SERIAL NUMBERS PRINTED ON HEX BODY.
- MANY POSSIBLE VARIATIONS TO SECURE DOOR RODS & LATCHES.
- CORROSION RESISTANT POLY COATED METAL LOCK BODY.



MODEL	CLASS	BODY MATERIAL	CABLE DIAMETER Ø	CABLE LENGTH	MIN. PULL APART STRENGTH	WEIGHT PER PC	PCS/BOX
3202-2154	S	METAL	3/16" 4.8 MM	12" 305 MM	680 LBS 310 Kg	0.07 LBS 0.03 Kg	250
3202-2944	S	METAL	3/16" 4.8 MM	16" 406 MM	680 LBS 310 Kg	0.18 LBS 0.08 Kg	250
3202-2945	I	METAL	1/16" 1.8 MM	48" 1,219 MM	240 LBS 110 Kg	0.06 LBS 0.03 Kg	300

#### PULL TIGHT FIXED LOCK CABLE SEAL

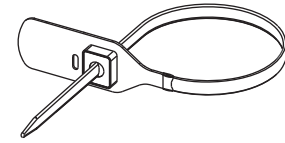
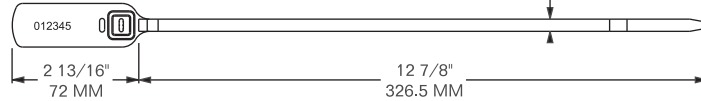
- HEAVY DUTY SELF-LOCKING DESIGN WITH FLEXIBLE CABLE.
- SLIDING LOCK ELIMINATES ANY SLACK BETWEEN LOCKING POINTS.
- DOES NOT FORM A LOOP, DESIGNED TO LOCK TWO OR MORE LATCHES.
- SERIAL NUMBER PRINTED ON PUSH ON LOCK BODY.



MODEL	CLASS	BODY MATERIAL	CABLE DIAMETER Ø	CABLE LENGTH	MIN. PULL APART STRENGTH	WEIGHT PER PC	PCS/BOX
3202-2946	H	METAL	1/4" 6.4 MM	45" 1,143 MM	4,400 LBS 2,000 Kg	0.75 LBS 0.34 Kg	50

**PULL-UP TYPE MODEL 3202-6352**

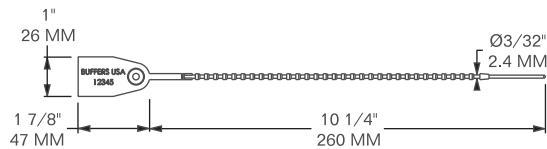
WITH SERIAL  
NUMBER PRINTED



**CLASS: I**  
**PULL APART STRENGTH:** 88 LBS / 40 Kg  
**MATERIAL:** PLASTIC **COLOR:** RED  
**PACKAGED:** 1,000 PER CARTON  
**WEIGHT EA PC:** 0.011 LBS / 0.005 Kg

**PULL-UP TYPE MODEL 3202-6562**

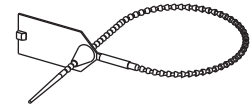
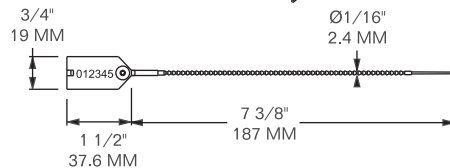
WITH SERIAL  
NUMBER PRINTED



**CLASS: I**  
**PULL APART STRENGTH:** 44 LBS / 20 Kg  
**MATERIAL:** PLASTIC **COLOR:** ORANGE  
**PACKAGED:** 5,000 PER CARTON  
**WEIGHT EA PC:** 0.005 LBS / 0.002 Kg

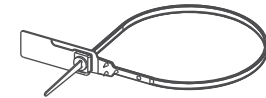
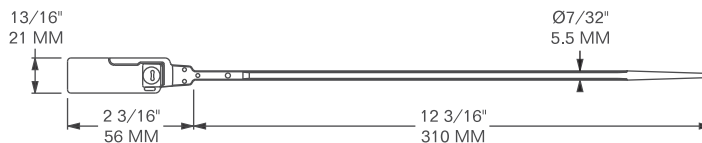
**PULL-UP TYPE MODEL 3202-6563**

WITH SERIAL  
NUMBER PRINTED



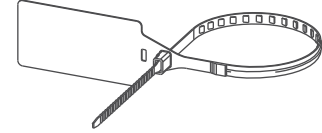
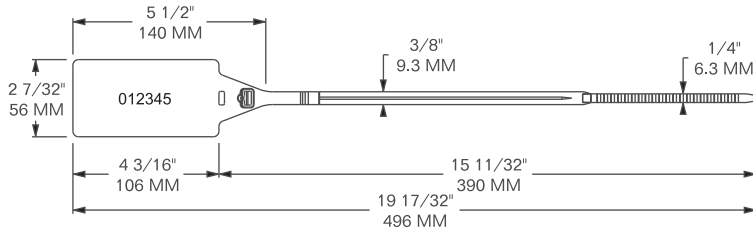
**CLASS: I**  
**PULL APART STRENGTH:** 40 LBS / 18 Kg  
**MATERIAL:** PLASTIC **COLOR:** ORANGE  
**PACKAGED:** 5,000 PER CARTON  
**WEIGHT EA PC:** 0.004 LBS / 0.002 Kg

**PULL-UP TYPE MODEL 3202-6579**



**CLASS: I**  
**PULL APART STRENGTH:** 77 LBS / 35 Kg  
**MATERIAL:** PLASTIC **COLOR:** WHITE  
**PACKAGED:** 1,000 PER CARTON  
**WEIGHT EA PC:** 0.011 LBS / 0.005 Kg

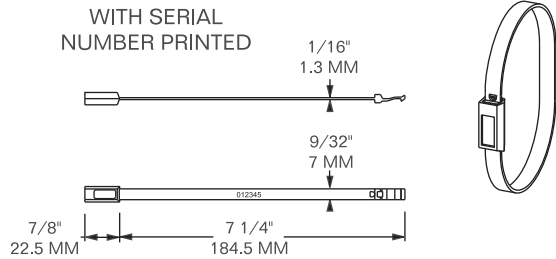
**PULL-UP TYPE MODEL 3202-6835**



WITH SERIAL  
NUMBER PRINTED

**CLASS: I**  
**PULL APART STRENGTH:** 77 LBS / 35 Kg  
**MATERIAL:** PLASTIC **COLOR:** WHITE  
**PACKAGED:** 1,000 PER CARTON  
**WEIGHT EA PC:** 0.025 LBS / 0.011 Kg

**PLASTIC STRAP SEAL MODEL 3202-6976**



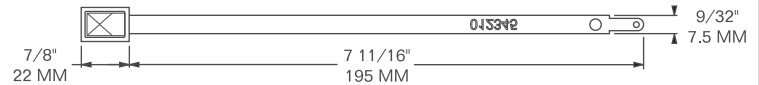
**CLASS: I**  
**PULL APART STRENGTH:** 66 LBS / 30 Kg  
**MATERIAL:** PLASTIC **COLOR:** BLUE  
**PACKAGED:** 5,000 PER CARTON  
**WEIGHT EA PC:** 0.063 LBS / 0.028 Kg

ALL WITH SERIAL NUMBER EMBOSSED

**FOR MODEL: 3202-6539**

**CLASS: I**  
**PULL APART STRENGTH:**  
 135 LBS / 61 Kg  
**MATERIAL:** STEEL, ZINC PLATED  
**PACKAGED:** 3,000 PER CARTON  
**WEIGHT EA PC:** 0.015 LBS / 0.006 Kg

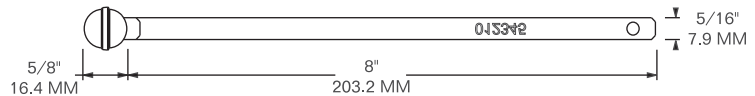
**FLAT METAL STRAP SEAL TYPE MODEL 3202-6539**



**FOR MODEL: 3202-6977**

**CLASS: I**  
**PULL APART STRENGTH:**  
 216 LBS / 98 Kg  
**MATERIAL:** STEEL, ZINC PLATED  
**PACKAGED:** 1,000 PER CARTON  
**WEIGHT EA PC:** 0.02 LBS / 0.01 Kg

**FLAT METAL STRAP SEAL TYPE MODEL 3202-6977**



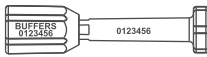
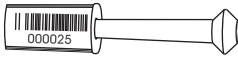
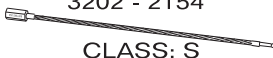
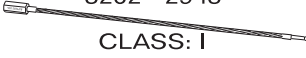
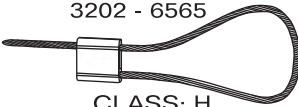
**MODEL 3202-6351**

**VOID SEAL LABEL**

THIS DOOR LABEL VOID SEAL IS CUSTOM PRINTED TO MATCH SAME SERIAL NUMBER AS THE BOLT SEAL OR CABLE IT IS SOLD WITH.



**AVAILABLE KITS:**

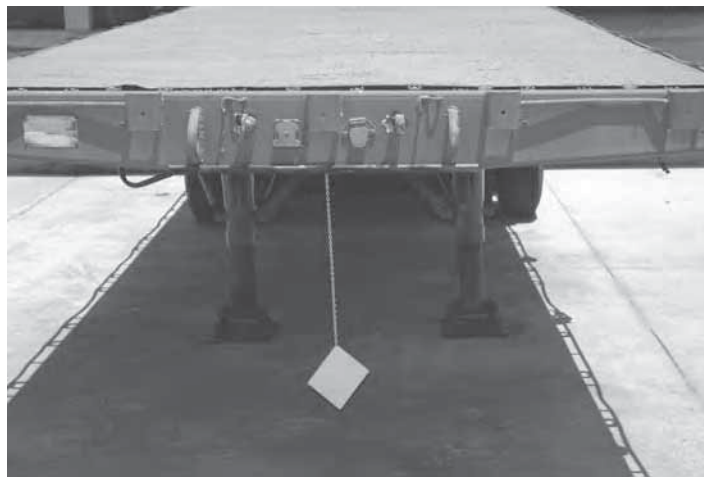
VOID SEAL LABEL 3202 - 6351 CLASS: I	+	BOLT SEAL 3202 - 2940  CLASS: H	=	<b>KIT #</b> <b>3202-6351/ 2940</b>
VOID SEAL LABEL 3202 - 6351 CLASS: I	+	BOLT SEAL 3202 - 6544  CLASS: H	=	<b>KIT #</b> <b>3202-6351/ 6544</b>
VOID SEAL LABEL 3202 - 6351 CLASS: I	+	FIXED LOCK CABLE SEAL (12") 3202 - 2154  CLASS: S	=	<b>KIT #</b> <b>3202-6351/ 2154</b>
VOID SEAL LABEL 3202 - 6351 CLASS: I	+	FIXED LOCK CABLE SEAL (48") 3202 - 2945  CLASS: I	=	<b>KIT #</b> <b>3202-6351/ 2945</b>
VOID SEAL LABEL 3202 - 6351 CLASS: I	+	PUSH THROUGH CABLE SEAL 3202 - 6565  CLASS: H	=	<b>KIT #</b> <b>3202-6351/ 6565</b>

**MODEL 3203-2954-KA**  
**KEYED ALIKE**

OUR KING PIN LOCK COVERS  
THE KING PIN WITH A STEEL TUBE  
THAT EFFECTIVELY PREVENTS HOOK UP  
OF A VAN TRAILER, FLATBED OR CHASSIS  
TO A TRACTOR.

INSTALLATION CLEARLY INDICATED WITH  
YELLOW TAG IDENTIFIER.

**WEIGHT:** 3.10 LBS / 1.41 Kg



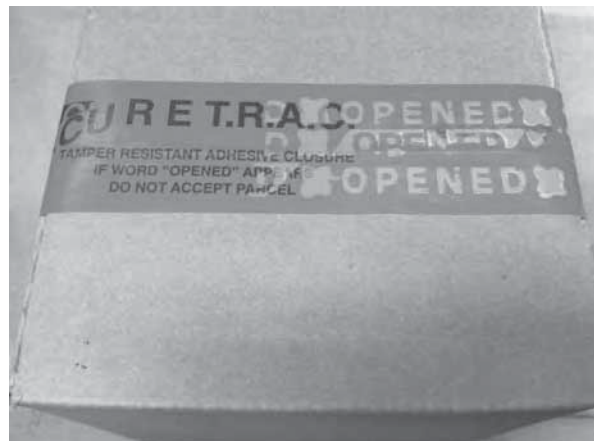
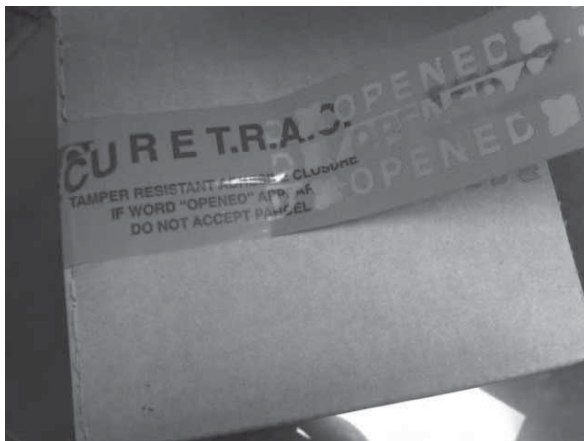
# SECURE T.R.A.C. VOID TAPE

**MODEL 3204-2958**

**FEATURES:** SECURE T.R.A.C. IS A FAST, SIMPLE AND INEXPENSIVE SOLUTION TO INDICATE UNAUTHORIZED OPENING OF A PACKAGE OR SHIPPING CARTON. IF THE SHIPMENT IS TAMPERED WITH, SECURE T.R.A.C. TAPE WILL REVEAL A HIDDEN MESSAGE. THE TAPE IS MADE WITH A SILICONE FACE COAT AND CANNOT BE RESEALED OR TAPED OVER WITHOUT LEAVING OBVIOUS EVIDENCE OF TAMPERING. SECURE T.R.A.C. IS SEQUENTIALLY NUMBERED PROVIDING AN AUDIT TRAIL.

**USE:** SECURE T.R.A.C. CAN BE APPLIED BY AUTOMATED DISPENSERS OR BY HAND-HELD TAPE GUNS.

**PACKAGING:** 250' / ROLL





4 EA Ø1/8" (3MM) HOLES

**CSC SAFETY APPROVAL**

/ / /

DATE MANUFACTURED

IDENTIFICATION NO.

MAX. GROSS WEIGHT  KGS  LBS

ALLOWABLE STACKING WEIGHT 1.8G  KGS  LBS

RACKING TEST LOAD VALUE  KGS  LBS

ACEP

8" / 204 MM

**MODEL 4401-2275**

**STANDARD CSC PLATE**

**FINISH:** SELF-COLOR  
**MATERIAL:** STAINLESS STEEL  
 0.8 MM WITH BLACK MARKING  
**WEIGHT:** 0.44 LBS / 0.2 Kg

4 3/32" / 104 MM

6 EA Ø1/8" (3MM) HOLES

**APPROVED FOR TRANSPORT UNDER CUSTOMS SEAL**

/ / /

TYPE

MANUFACTURER'S NUMBER

TIMBER COMPONENT TREATMENT

/ / /

**CSC SAFETY APPROVAL**

/ / /

DATE MANUFACTURED

IDENTIFICATION NO.

MAX. GROSS WEIGHT  KGS  LBS

ALLOWABLE STACKING WEIGHT 1.8G  KGS  LBS

RACKING TEST LOAD VALUE  KGS  LBS

ACEP

8" / 204 MM

**MODEL 4401-2276**

**COMBINATION CSC PLATE**

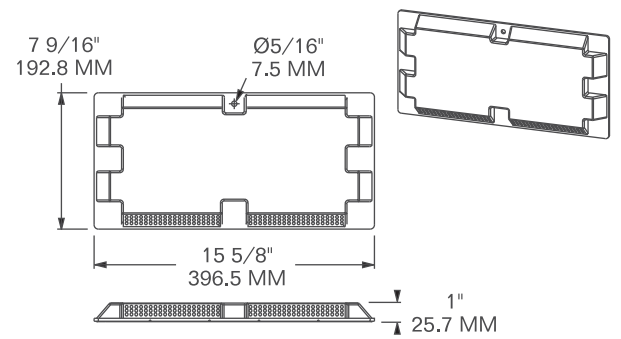
**FINISH:** SELF-COLOR  
**MATERIAL:** STAINLESS STEEL  
 0.8 MM WITH BLACK MARKING  
**WEIGHT:** 0.60 LBS / 0.27 Kg

9 3/4" / 248 MM



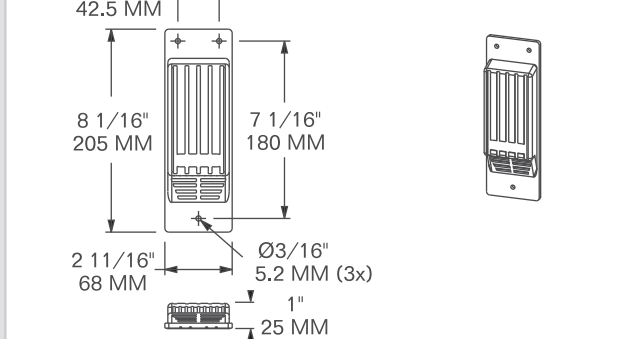
# CONTAINER VENTS

**MODEL 4402-2277**



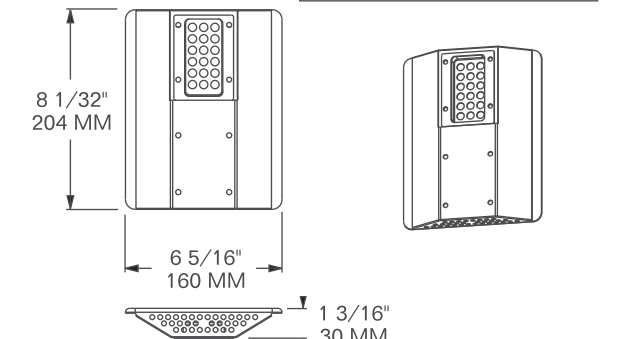
**FITS:** ISO ON STARTER PANEL  
**MATERIAL:** ABS PLASTIC WITH RUBBER SEAL  
**WEIGHT:** 0.9 LBS / 0.41 Kg

**MODEL 4402-2278**



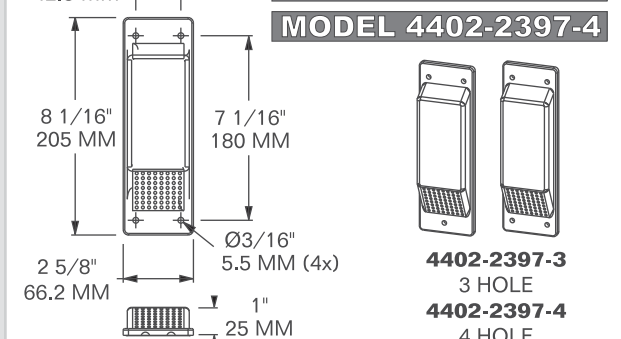
**FITS:** JINDO 48', 53' PACER, HUB, SWIFT  
**MATERIAL:** ABS PLASTIC WITH RUBBER SEAL  
**WEIGHT:** 0.15 LBS / 0.06 Kg

**MODEL 4402-2356**



**FITS:** EVERGREEN ISO  
**MATERIAL:** ABS PLASTIC WITH RUBBER SEAL  
**WEIGHT:** 0.65 LBS / 0.29 Kg

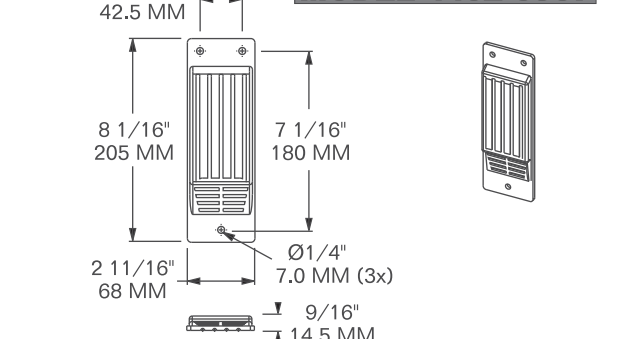
**MODEL 4402-2397-3**  
**MODEL 4402-2397-4**



**4402-2397-3**  
3 HOLE  
**4402-2397-4**  
4 HOLE

**FITS:** ISO 20', 40', 45'  
**MATERIAL:** ABS PLASTIC WITH RUBBER SEAL  
**WEIGHT:** 0.17 LBS / 0.077 Kg

**MODEL 4402-6567**

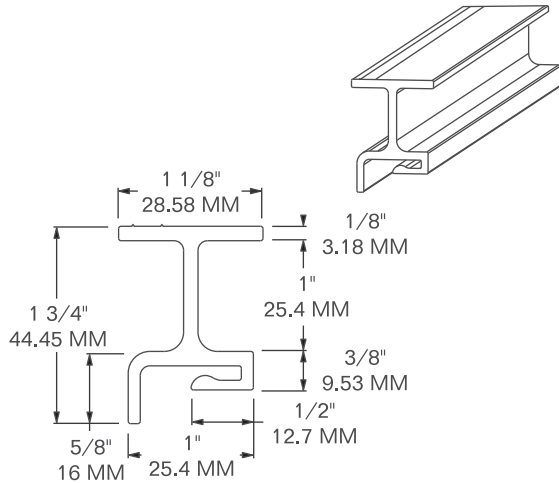


**FITS:** SHALLOW PANEL 48' & 53'  
**MATERIAL:** ABS PLASTIC WITH RUBBER SEAL  
**WEIGHT:** 0.15 LBS / 0.068 Kg



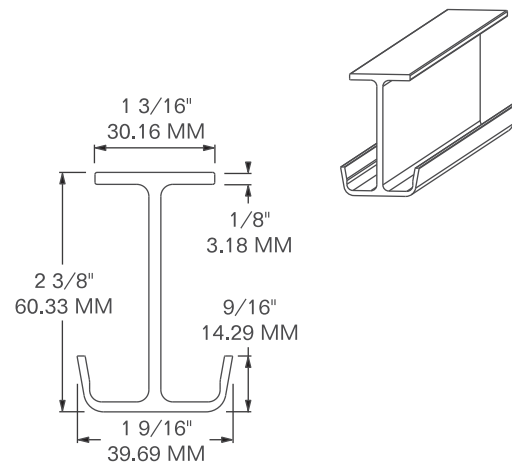
# PVC ROOF & SIDE STRINGERS

**MODEL 4406-6436**  
**PVC SIDE STRINGER**



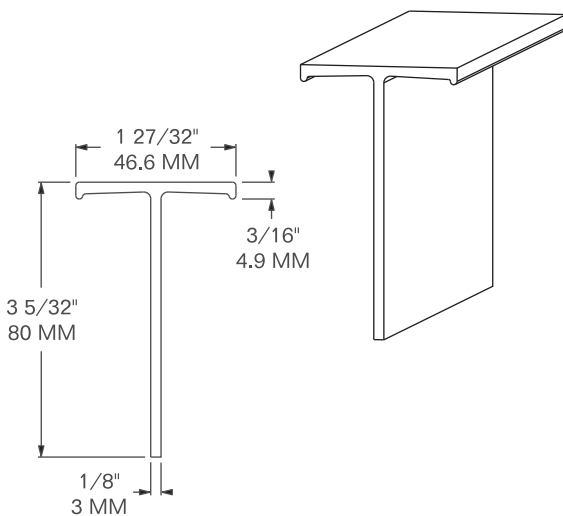
**SUB FOR:** MCIQ 7360003  
**MATERIAL:** PVC  
**FINISH:** GRAY  
**LENGTH:** 105" / 2,666 MM  
**WEIGHT:** 2.53 LBS / 1.15 Kg

**MODEL 4406-6437**  
**PVC SIDE STRINGER**



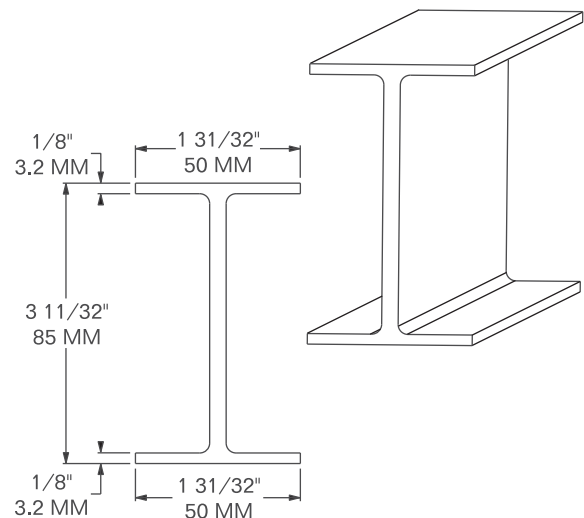
**SUB FOR:** MCIQ 7360024  
**MATERIAL:** PVC  
**FINISH:** GRAY  
**LENGTH:** 103 7/8" / 2,638 MM  
**WEIGHT:** 4.00 LBS / 1.81 Kg

**MODEL 4406-6980**  
**PVC ROOF STRINGER**



**MATERIAL:** PVC  
**FINISH:** GRAY  
**LENGTH:** 108" / 2,743.2 MM  
**WEIGHT:** 3.02 LBS / 1.37 Kg

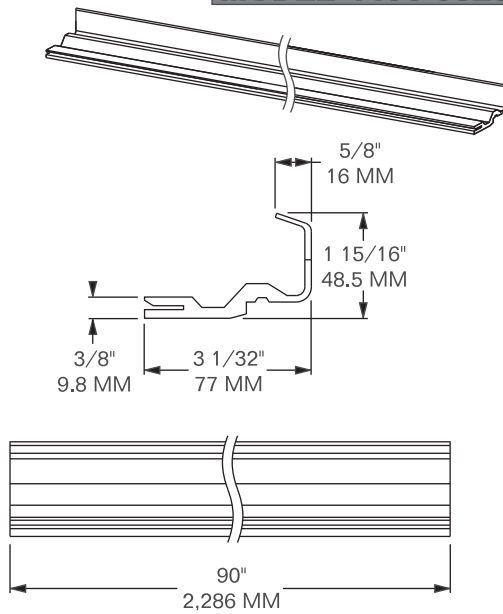
**MODEL 4406-7717**  
**PVC ROOF STRINGER**



**FITS:** CIMC  
**MATERIAL:** PVC  
**FINISH:** GRAY  
**LENGTH:** 86 5/8" / 2,200 MM  
**WEIGHT:** 5.2 LBS / 2.4 Kg

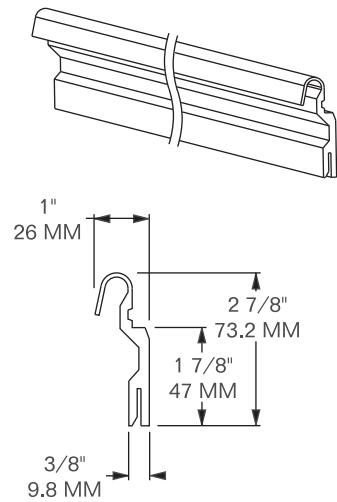
# REEFER LINING RETAINERS, PVC

**MODEL 4406-6829**



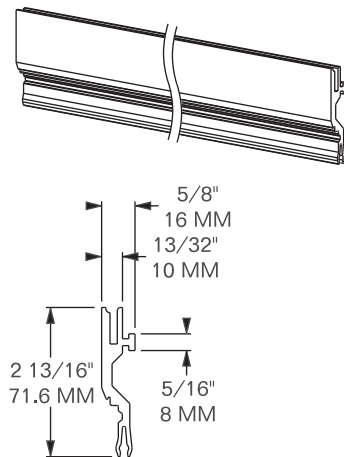
**FITS:** CIMC **LENGTH:** 90" / 2,286 MM  
**MATERIAL:** PVC **FINISH:** OFF-WHITE  
**WEIGHT:** 5.05 LBS / 2.29 Kg

**MODEL 4406-7450**



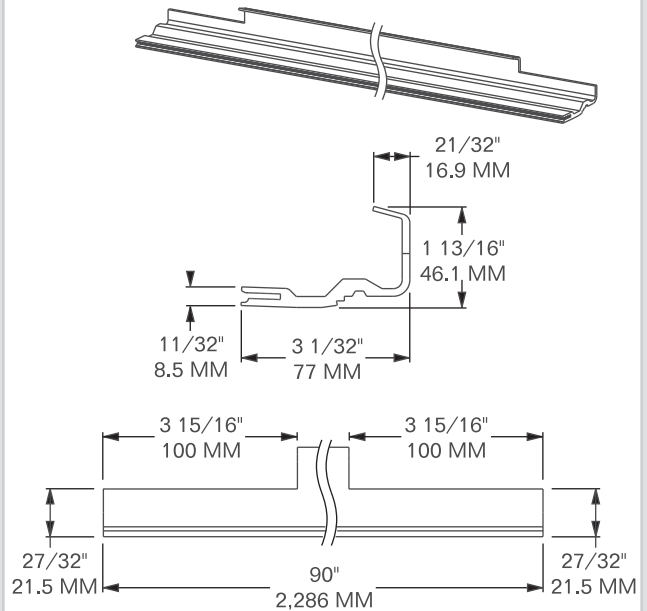
**FITS:** CIMC **LENGTH:** 102 1/2" / 2,604 MM  
**MATERIAL:** PVC **FINISH:** OFF-WHITE  
**WEIGHT:** 4.40 LBS / 2.00 Kg

**MODEL 4406-7709**



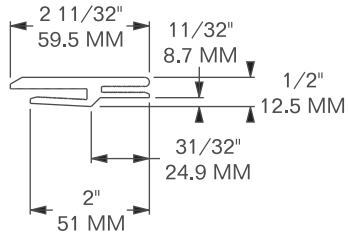
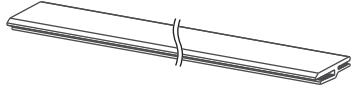
**FITS:** CIMC **LENGTH:** 90 5/32" / 2,290 MM  
**MATERIAL:** PVC **FINISH:** OFF-WHITE  
**WEIGHT:** 3.6 LBS / 1.6 Kg

**MODEL 4406-7710**



**FITS:** CIMC **LENGTH:** 90" / 2,286 MM  
**MATERIAL:** PVC **FINISH:** COOL GRAY  
**WEIGHT:** 4.6 LBS / 2.1 Kg

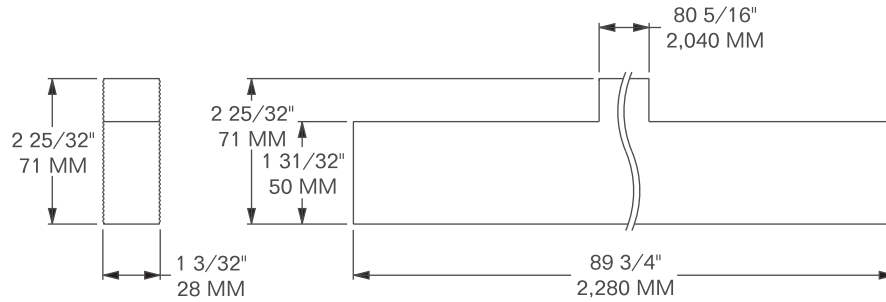
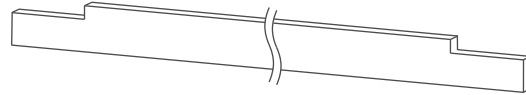
**MODEL 4406-7711**



**FITS:** CIMC **LENGTH:**  $90 \frac{5}{32}$ " / 2,290 MM  
**MATERIAL:** PVC **FINISH:** OFF-WHITE  
**WEIGHT:** 3.2 LBS / 1.5 Kg

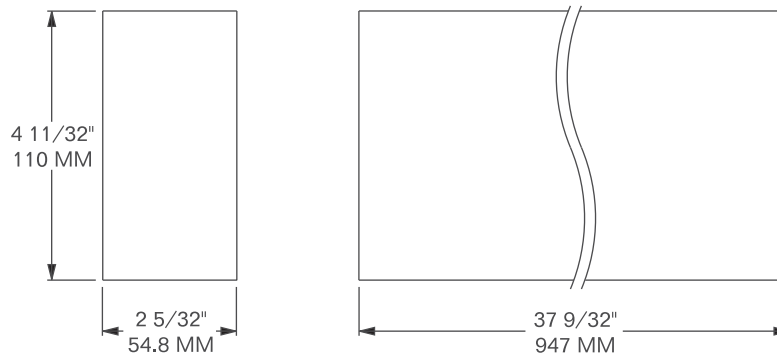
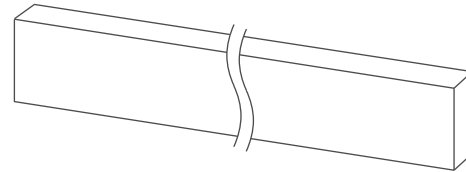
# REEFER INSULATING FOAM FILLER

**MODEL 4406-6805**



**FITS:** CIMC **MATERIAL:** POLYETHYLENE  
**FINISH:** BLACK **WEIGHT:** 9.2 LBS / 4.2 Kg

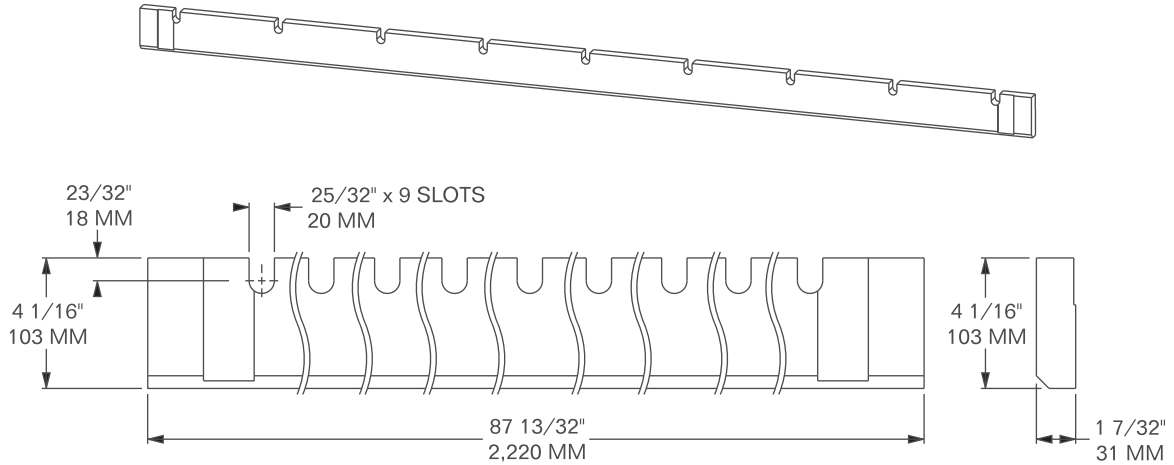
**MODEL 4406-7846**



**FITS:** CIMC **MATERIAL:** POLYETHYLENE  
**FINISH:** BLACK **WEIGHT:** 11.7 LBS / 5.3 Kg

# REEFER INSULATING FOAM FILLER

**MODEL 4406-7855**



**FITS:** CIMC **MATERIAL:** POLYURETHANE  
**FINISH:** TAN **WEIGHT:** 3.4 LBS / 1.5 Kg

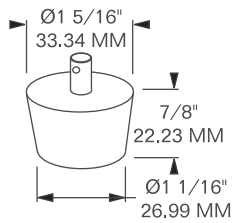
# REEFER DRAIN PARTS DRAIN VALVES

**MODEL 4406-1981-KIT**

**MODEL 4406-1982-KIT**

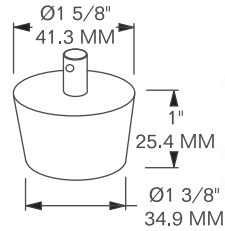
**REEFER DRAIN PLUG ASSEMBLIES**

**MODEL 1981-KIT**



**WEIGHT:** 0.10 LBS  
**INCLUDES LANYARD**

**MODEL 1982-KIT**



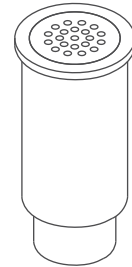
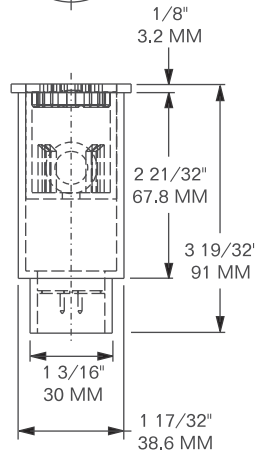
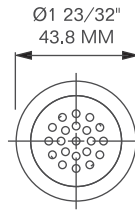
**WEIGHT:** 0.15 LBS  
**INCLUDES LANYARD**



BOTH PLUGS HAVE APPROX 8"  
SS LANYARD ATTACHED

**MODEL 4406-6948**

**DRAIN VALVE ASSEMBLY**

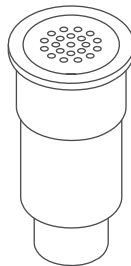
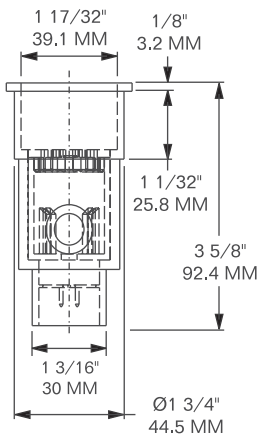
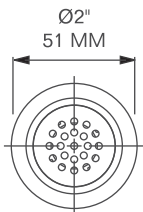


**1 1/4" DRAIN VALVE**

**MATERIAL:** BLACK RUBBER AND PVC  
**WEIGHT:** 0.13 LBS / 0.06 Kg

**MODEL 4406-6949**

**DRAIN VALVE ASSEMBLY**

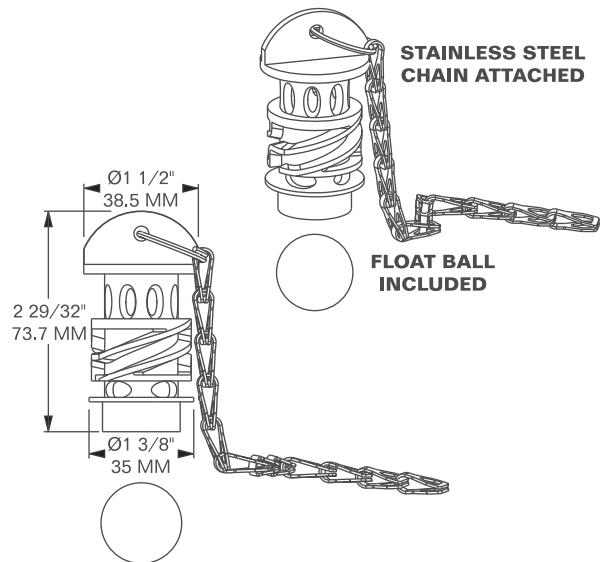


**1 5/8" DRAIN VALVE**

**MATERIAL:** BLACK RUBBER AND PVC  
**WEIGHT:** 0.16 LBS / 0.07 Kg

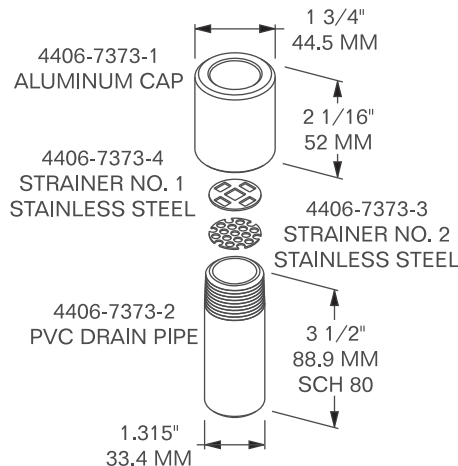
**MODEL 4406-7529**

**AUTOMATIC DRAIN VALVE ASSEMBLY**



**MATERIAL:** PE  
**WEIGHT:** 0.06 LBS / 0.03 Kg

# REEFER DRAIN PARTS DRAIN VALVES



4406-7373-1 ALUMINUM CAP

4406-7373-4 STRAINER NO. 1 STAINLESS STEEL

4406-7373-3 STRAINER NO. 2 STAINLESS STEEL

4406-7373-2 PVC DRAIN PIPE

1 3/4" 44.5 MM

2 1/16" 52 MM

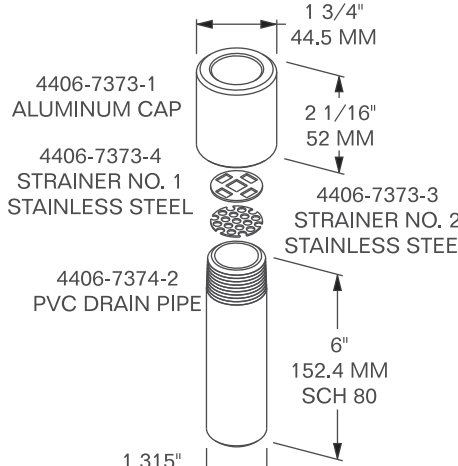
3 1/2" 88.9 MM SCH 80

1.315" 33.4 MM

**MODEL 4406-7373-KIT**  
**3 1/2" DRAIN PIPE ASSEMBLY**  
**ONLY SOLD AS COMPLETE KIT**

MODEL 4406-6950  
KAZOO TYPE DRAIN VALVE  
(SOLD SEPARATELY)

**WEIGHT: 0.37 LBS / 0.17 Kg**



4406-7373-1 ALUMINUM CAP

4406-7373-4 STRAINER NO. 1 STAINLESS STEEL

4406-7373-3 STRAINER NO. 2 STAINLESS STEEL

4406-7374-2 PVC DRAIN PIPE

1 3/4" 44.5 MM

2 1/16" 52 MM

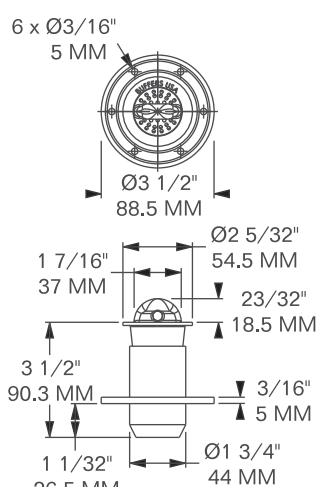
6" 152.4 MM SCH 80

1.315" 33.4 MM

**MODEL 4406-7374-KIT**  
**6" DRAIN PIPE ASSEMBLY**  
**ONLY SOLD AS COMPLETE KIT**

MODEL 4406-6950  
KAZOO TYPE DRAIN VALVE  
(SOLD SEPARATELY)

**WEIGHT: 0.46 LBS / 0.21 Kg**



6 x Ø3/16" 5 MM

Ø3 1/2" 88.5 MM

1 7/16" 37 MM

23/32" 18.5 MM

3 1/2" 90.3 MM

1 1/32" 26.5 MM

Ø2 5/32" 54.5 MM

3/16" 5 MM

Ø1 3/4" 44 MM

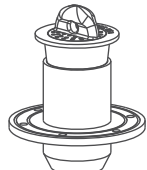
EACH ITEM ALSO SOLD SEPARATELY

**4406-7377-3/7**  
VALVE ASSEMBLY  
PVC

**4406-7377-1**  
INNER HOUSING  
ALUMINUM

**4406-7377-2**  
OUTER HOUSING  
WITH FLANGE  
PVC

**MODEL 4406-7377-KIT**  
**DRAIN VALVE, AUTOMATIC**  
**SELF-CLOSING**



**4406-7377-KIT**

**WEIGHT: 0.31 LBS / 0.14 Kg**

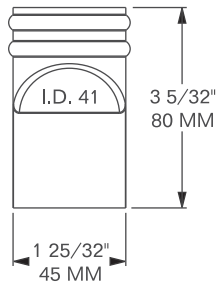
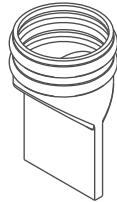


# REEFER DRAIN PARTS KAZOO

## MODEL 4406-6753

**KAZOO**

FITS DRAIN  
PIPES WITH O.D.  
1 5/8" / 41 MM

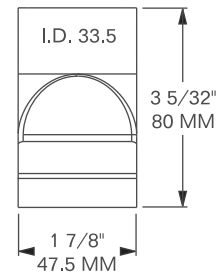


**FITS:** CIMC  
**MATERIAL:** BLACK RUBBER  
**WEIGHT:** 0.06 LBS / 0.03 Kg

## MODEL 4406-6950

**KAZOO**

FITS DRAIN  
PIPES WITH O.D.  
1 5/16" / 33.5 MM

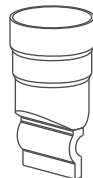


**MATERIAL:** BLACK RUBBER  
**WEIGHT:** 0.03 LBS / 0.013 Kg

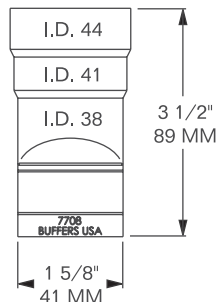
## MODEL 4406-7708

**COMBO KAZOO**

FITS DRAIN  
PIPES WITH O.D.  
1 1/2" / 38 MM  
1 5/8" / 41 MM  
1 3/4" / 44 MM



EASY TO CUT TO SIZE REQUIRED



**MATERIAL:** BLACK RUBBER  
**WEIGHT:** 0.04 LBS / 0.018 Kg

## MODEL 4406-6769

**HOSE CLAMP FOR  
KAZOO**

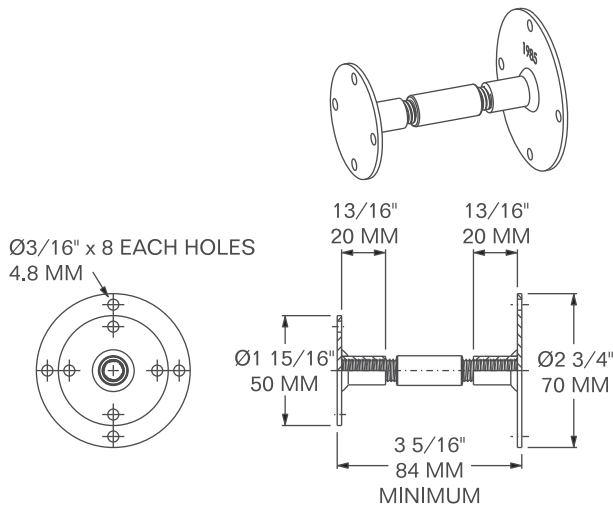
**MINIMUM CLAMP DIAMETER:** 1 1/4"  
**MAXIMUM CLAMP DIAMETER:** 2 1/4"  
**BAND WIDTH:** 1/2"  
**BAND THICKNESS:** 1/64"  
**SCREW SIZE:** 5/16" HEX



**MATERIAL:** STAINLESS STEEL  
**FINISH:** SELF-COLOR  
**WEIGHT:** 0.05 LBS / 0.02 Kg

**MODEL 4406-1985**

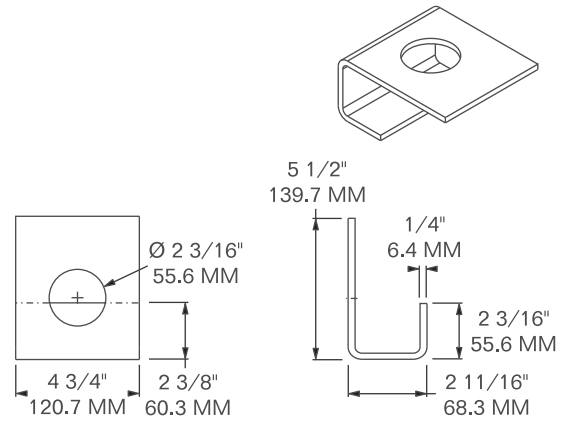
**DELAMINATION KIT FOR REEFER WALL REPAIR**



**MATERIAL:** STAINLESS STEEL & NYLON  
**FINISH:** SELF-COLOR  
**WEIGHT:** 0.26 LBS / 0.12 Kg

**MODEL 4406-6446**

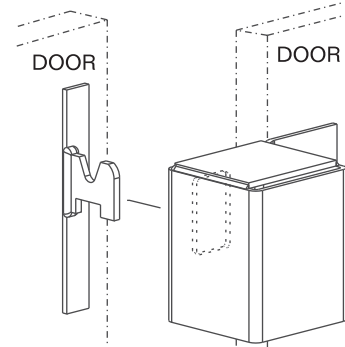
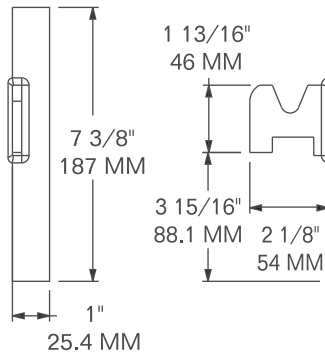
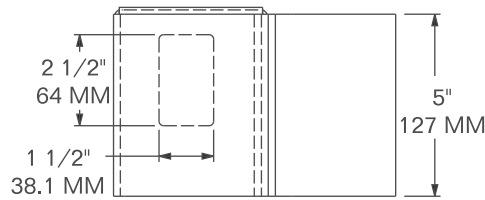
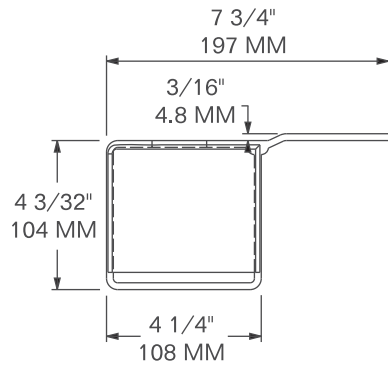
**GENERATOR SET BRACKET**



**SUB FOR:** MCIQ 7133055  
**FITS:** MCIQ REEFERS  
**MATERIAL:** CORTEN  
**FINISH:** PRIMER  
**WEIGHT:** 2.76 LBS / 1.25 Kg

# DOOR LOCK BOX & LATCH

## MODEL 4407-2934-KIT



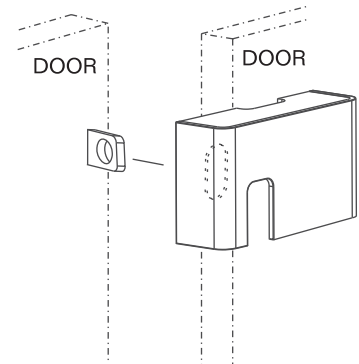
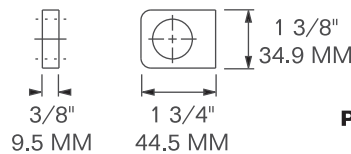
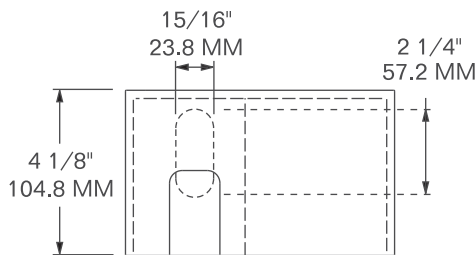
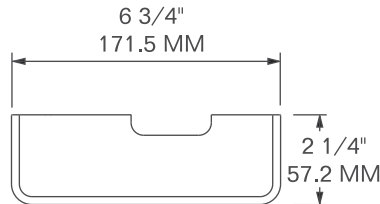
4407-2934-2  
LATCH

4407-2934-1  
LOCK BOX

**PARTS ALSO SOLD SEPARATELY**

**SUB FOR:** PENZ 70-30  
**MATERIAL:** FAB STEEL  
**FINISH:** PRIMER  
**WEIGHT:** LOCK BOX 5.75 LBS / 2.6 Kg  
 LATCH 0.63 LBS / 0.28 Kg  
 TOTAL KIT 6.38 LBS / 2.88 Kg

## MODEL 4407-6378-KIT



4407-6378-2  
LATCH LUG

4407-6378-1  
LOCK BOX

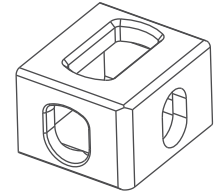
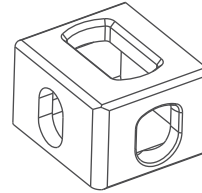
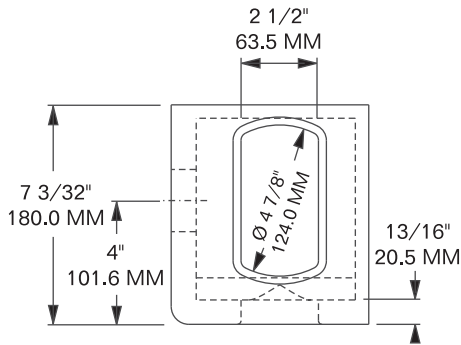
**PARTS ALSO SOLD SEPARATELY**

**SUB FOR:** PENZ 70-41  
**MATERIAL:** FAB STEEL  
**FINISH:** PRIMER  
**WEIGHT:** LOCK BOX 3.45 LBS / 1.54 Kg  
 LATCH 0.2 LBS / 0.11 Kg  
 TOTAL KIT 3.65 LBS / 1.66 Kg

# ISO CORNER FITTINGS ALUMINUM

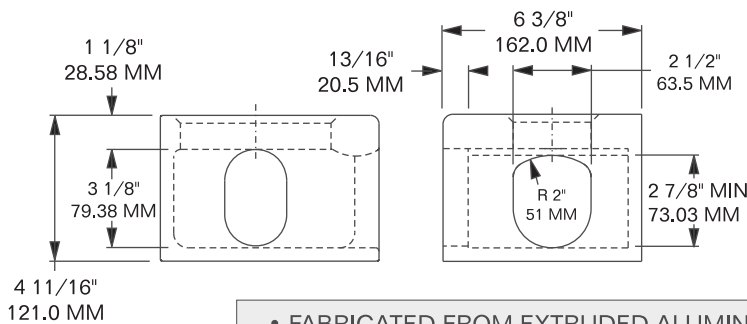
**MODEL 6201-1142-TL**

**MODEL 6201-1142-TR**



**MODEL 6201-1142-TL**  
TOP LEFT

**MODEL 6201-1142-TR**  
TOP RIGHT

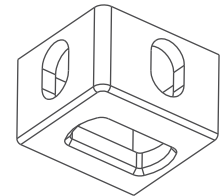
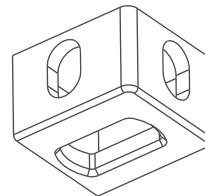
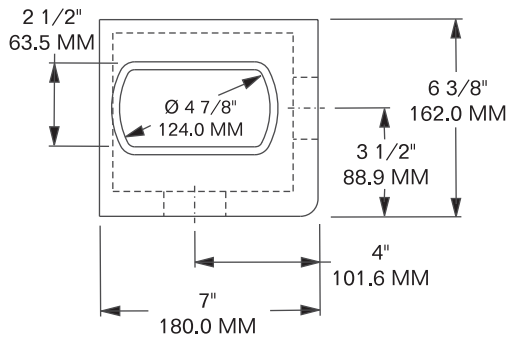


**MATERIAL:** ALUMINUM  
**FINISH:** AS MACHINED  
**WEIGHT:** 9.9 LBS / 4.5 Kg

- FABRICATED FROM EXTRUDED ALUMINUM CHANNELS.
- MACHINED ON ALL 6 SIDES FOR CLOSE TOLERANCE.
- LIGHT WEIGHT 9.9 LBS PER FITTING.
- MEETS ALL SIZE AND STRENGTH REQUIREMENTS OF ISO 1161.

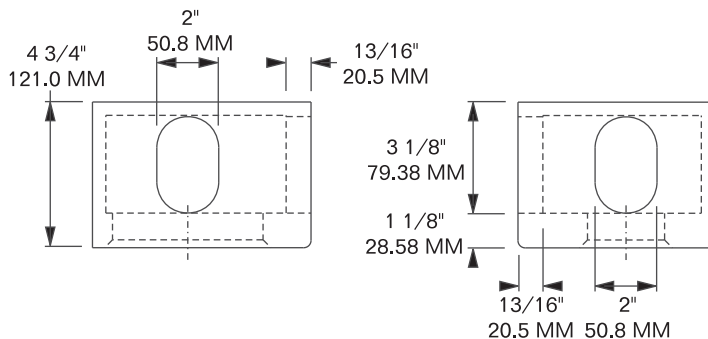
**MODEL 6201-1142-BL**

**MODEL 6201-1142-BR**

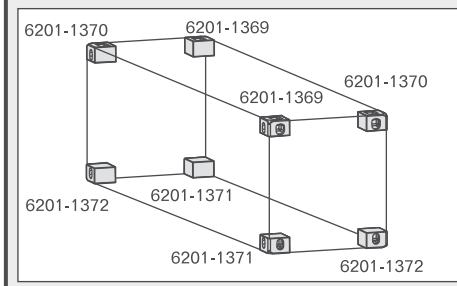
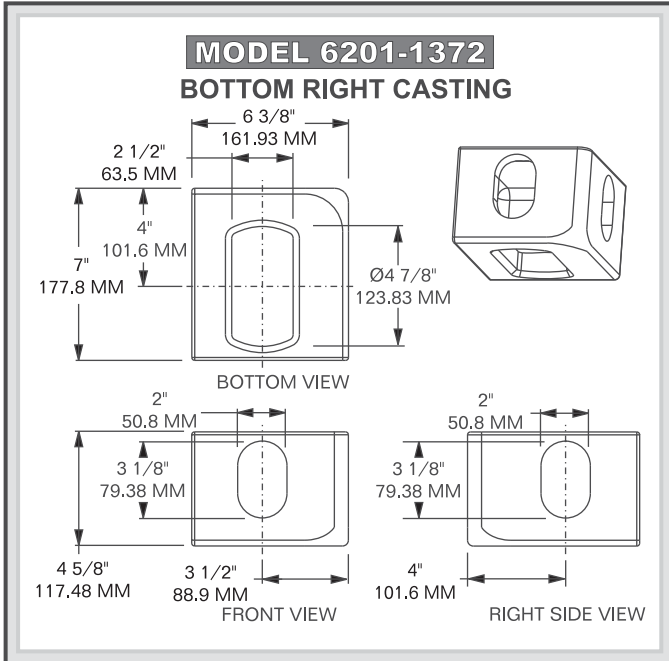
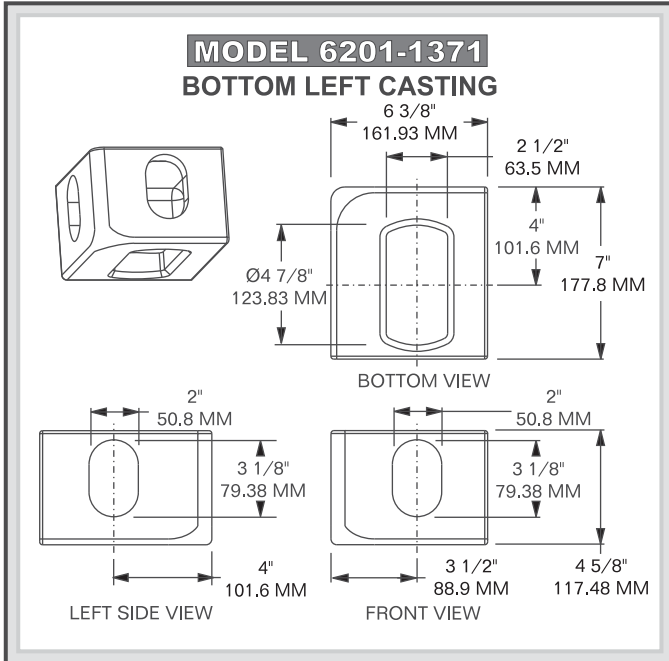
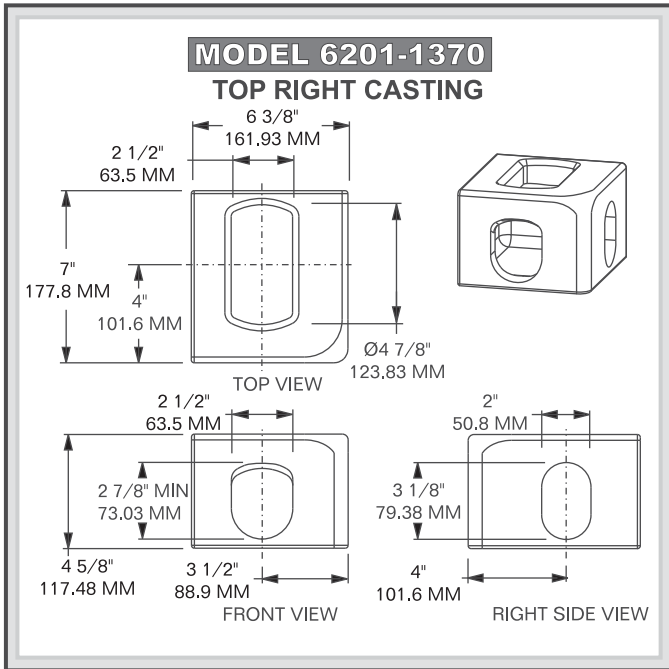
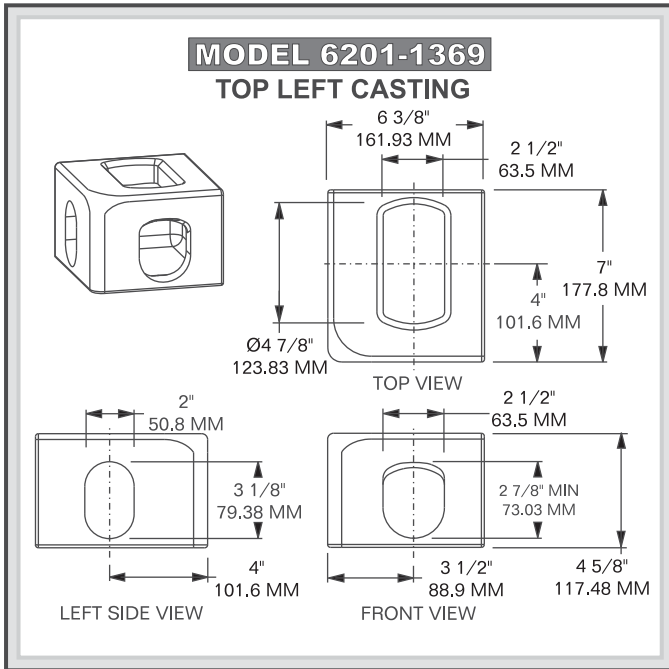


**MODEL 6201-1142-BL**  
BOTTOM LEFT

**MODEL 6201-1142-BR**  
BOTTOM RIGHT



**MATERIAL:** ALUMINUM  
**FINISH:** AS MACHINED  
**WEIGHT:** 9.9 LBS / 4.5 Kg



**NOTE:** STANDARD ISO CONTAINERS USE 8 EA. CORNER CASTINGS CONSISTING OF:  
 2 PCS TOP LEFT **MODEL 6201-1369** **WEIGHT:** 23.0 LBS / 10.43 Kg  
 2 PCS TOP RIGHT **MODEL 6201-1370** **WEIGHT:** 23.0 LBS / 10.43 Kg  
 2 PCS BOTTOM LEFT **MODEL 6201-1371** **WEIGHT:** 24.0 LBS / 10.89 Kg  
 2 PCS BOTTOM RIGHT **MODEL 6201-1372** **WEIGHT:** 24.0 LBS / 10.89 Kg  
**MATERIAL:** ASTM A27 GR 70-36 OR EQUIV. CAST STEEL  
**FINISH:** MACHINED ALL SIX SIDES AND SHOT BLASTED

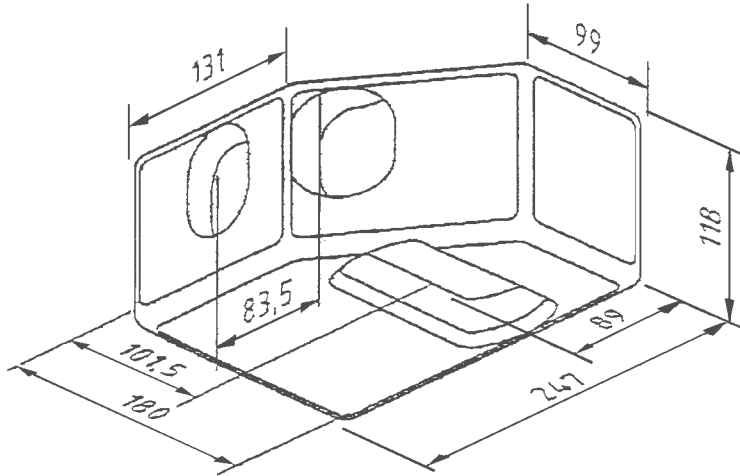
MANUFACTURED IN ACCORDANCE WITH APPROVAL CERTIFICATES BY BUREAU VERITAS.  
 CASTINGS MEET REQUIREMENTS OF ISO 1161 FOR ISO CONTAINERS

# CORNER CASTING A-CORN APERTURE PLUG

**MODEL 6201-1612-BR**

**MODEL 6201-1612-BL**

**CORNER CASTING  
BOTTOM CORNER ONLY**



**RIGHT HAND SHOWN, LEFT IS OPPOSITE**

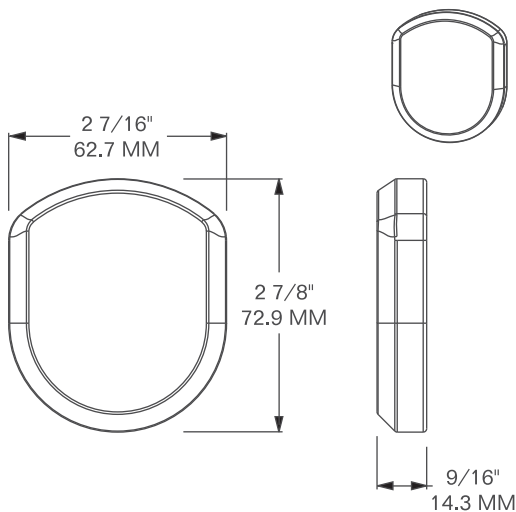
**FOR 45' x 8' EURO CONTAINER**

**SPECIAL ORDER ONLY**

**MATERIAL: CAST STEEL  
WEIGHT: 29.8 LBS / 13.5 Kg**

**MODEL 6201-2969**

**WELD-IN A-CORN APERTURE PLUG**



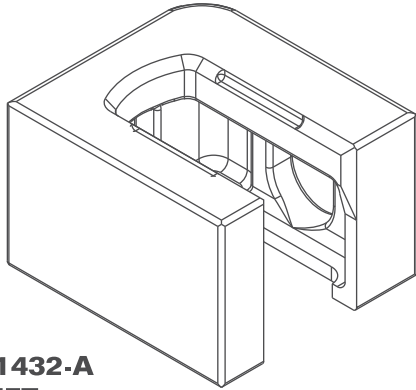
**TO PREVENT HOOK LIFTING  
IN TOP ISO CORNER CASTINGS**

**MATERIAL: STEEL FINISH: SELF-COLOR  
WEIGHT: 0.89 LBS / 0.4 Kg**

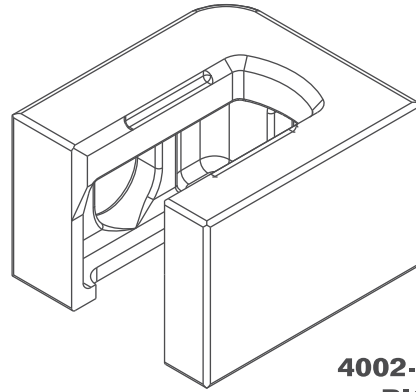
# SLOTTED CORNER CASTING FOR FOLDING END FLATRACKS

**MODEL 4002-1432-A**

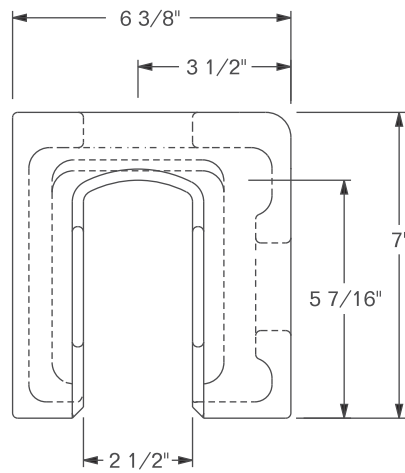
**MODEL 4002-1432-B**



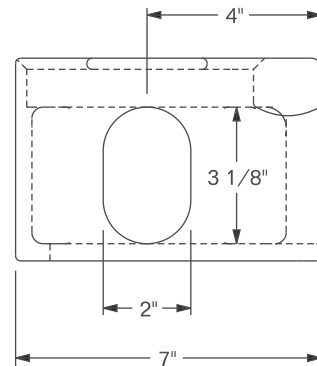
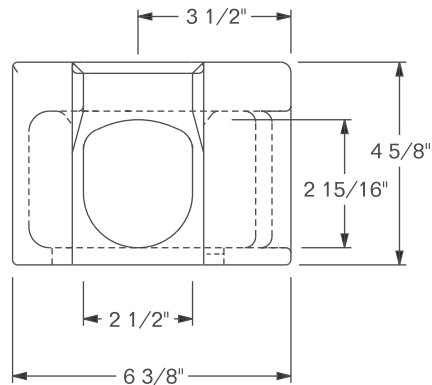
**4002-1432-A  
LEFT**



**4002-1432-B  
RIGHT**

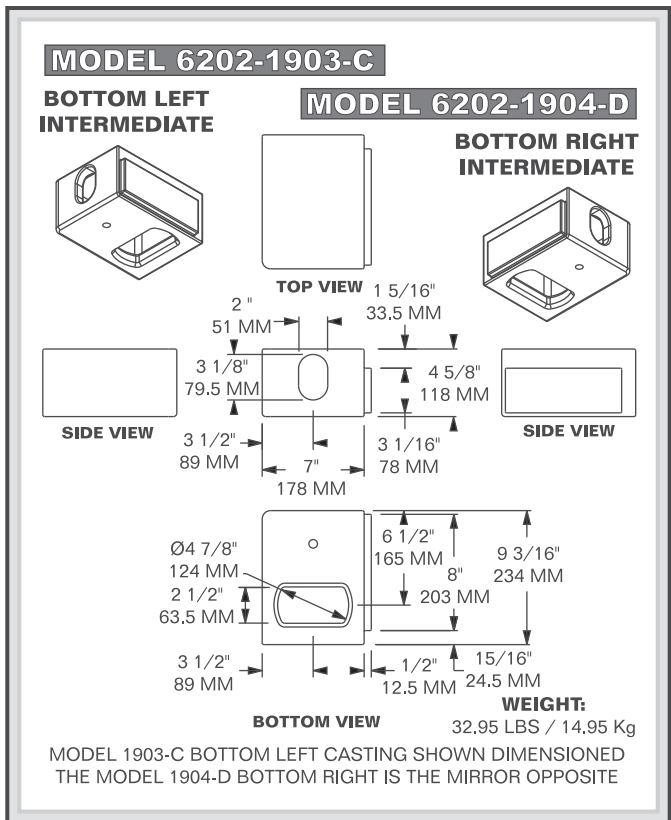
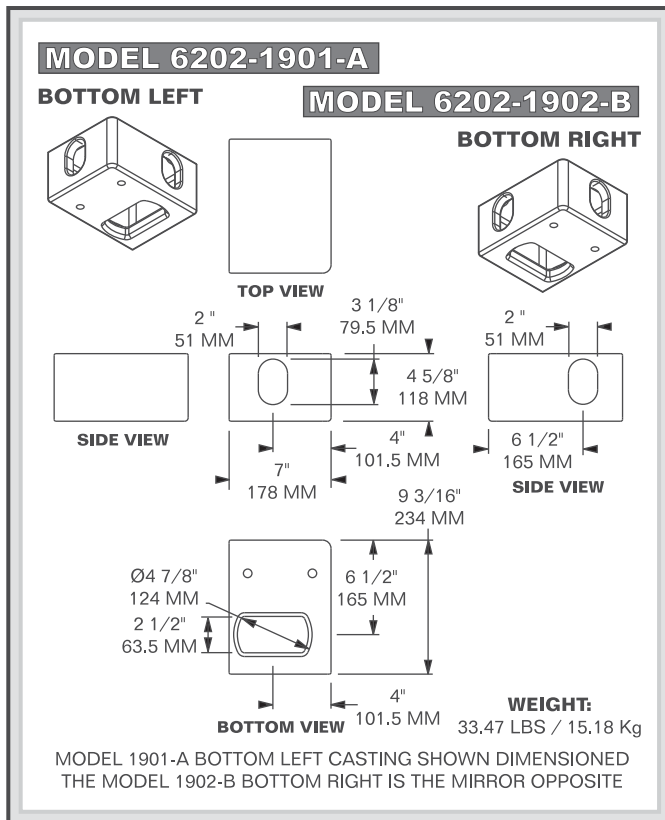
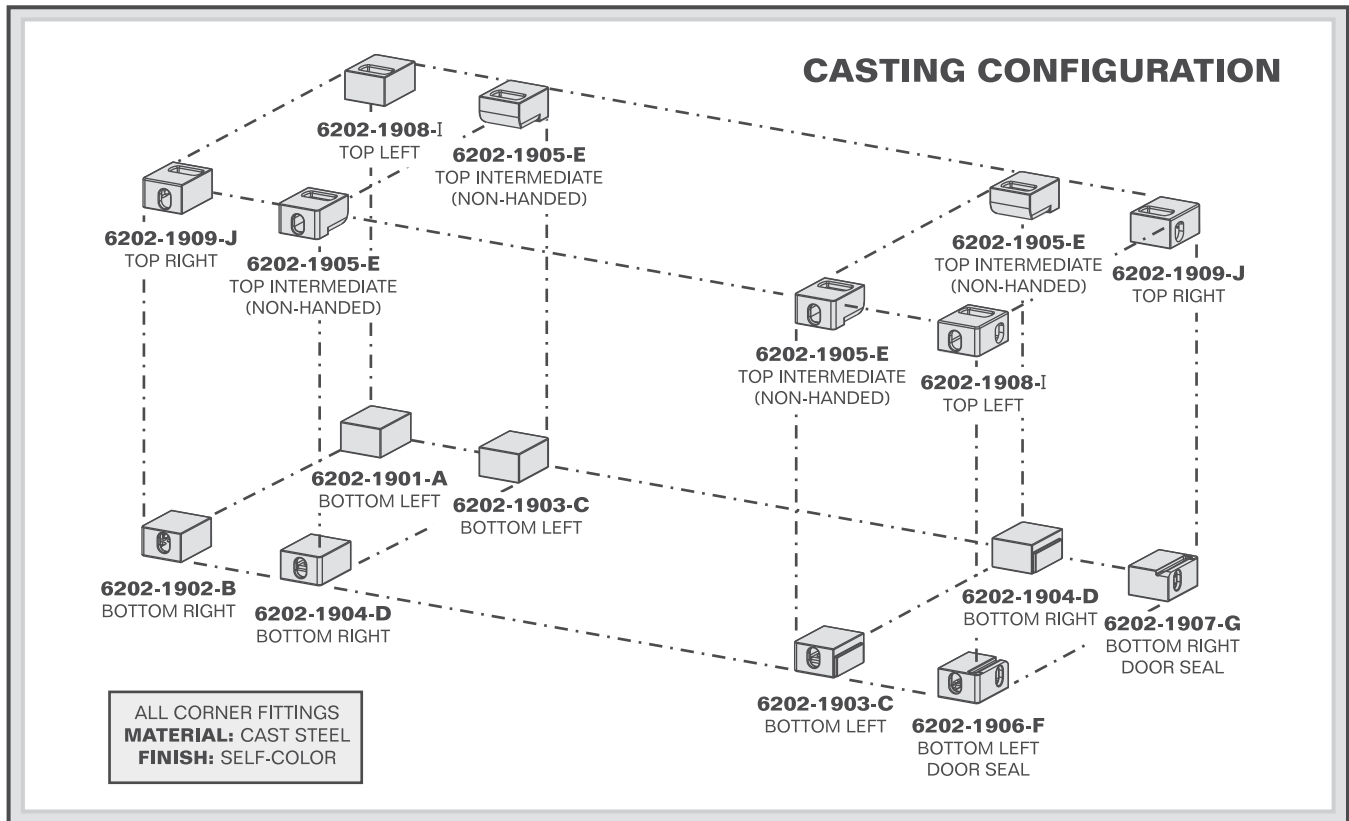


**MODEL 4002-1432-A  
LEFT CASTING SHOWN,  
MODEL 4002-1432-B  
RIGHT CASTING IS THE MIRROR OPPOSITE**



**MATERIAL: CAST STEEL PER ISO 1161 REQUIREMENTS  
FINISH: MACHINED ALL SIDES AND SHOT BLASTED**

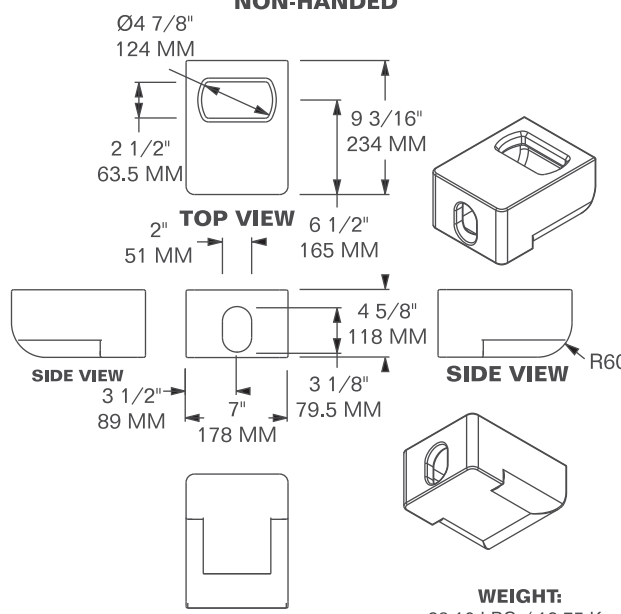
# CORNER CASTINGS FOR 102" WIDE CONTAINERS





# CORNER CASTINGS FOR 102" WIDE CONTAINERS

**MODEL 6202-1905-E**  
**TOP INTERMEDIATE  
NON-HANDED**

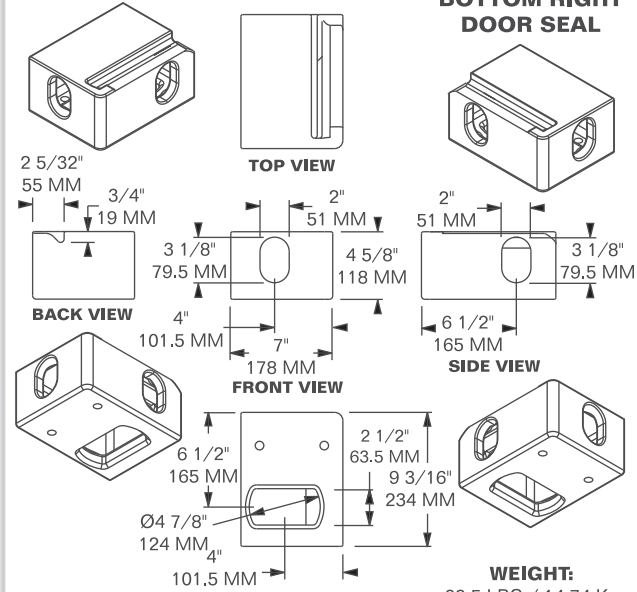


Ø4 7/8" 124 MM  
2 1/2" 63.5 MM  
9 3/16" 234 MM  
6 1/2" 165 MM  
2" 51 MM  
4 5/8" 118 MM  
3 1/8" 79.5 MM  
7" 178 MM  
3 1/2" 89 MM  
R60

**WEIGHT:**  
28.10 LBS / 12.75 Kg

**MODEL 6202-1906-F**  
**BOTTOM LEFT  
DOOR SEAL**

**MODEL 6202-1907-G**  
**BOTTOM RIGHT  
DOOR SEAL**



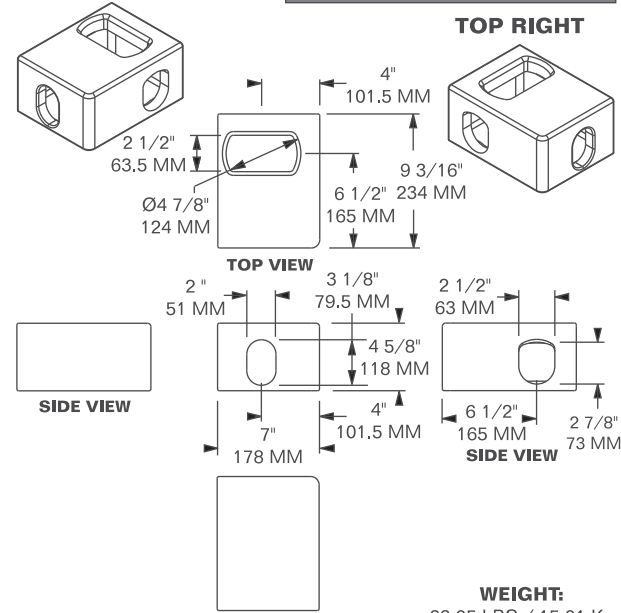
2 5/32" 55 MM  
3/4" 19 MM  
51 MM  
3 1/8" 79.5 MM  
4 5/8" 118 MM  
2" 51 MM  
3 1/8" 79.5 MM  
6 1/2" 165 MM  
4" 101.5 MM  
7" 178 MM  
4" 101.5 MM  
6 1/2" 165 MM  
2 1/2" 63.5 MM  
9 3/16" 234 MM  
Ø4 7/8" 124 MM  
4" 101.5 MM

**WEIGHT:**  
32.5 LBS / 14.74 Kg

MODEL 1906-F BOTTOM LEFT CASTING SHOWN DIMENSIONED  
THE MODEL 1907-G BOTTOM RIGHT IS THE MIRROR OPPOSITE

**MODEL 6202-1908-I**  
**TOP LEFT**

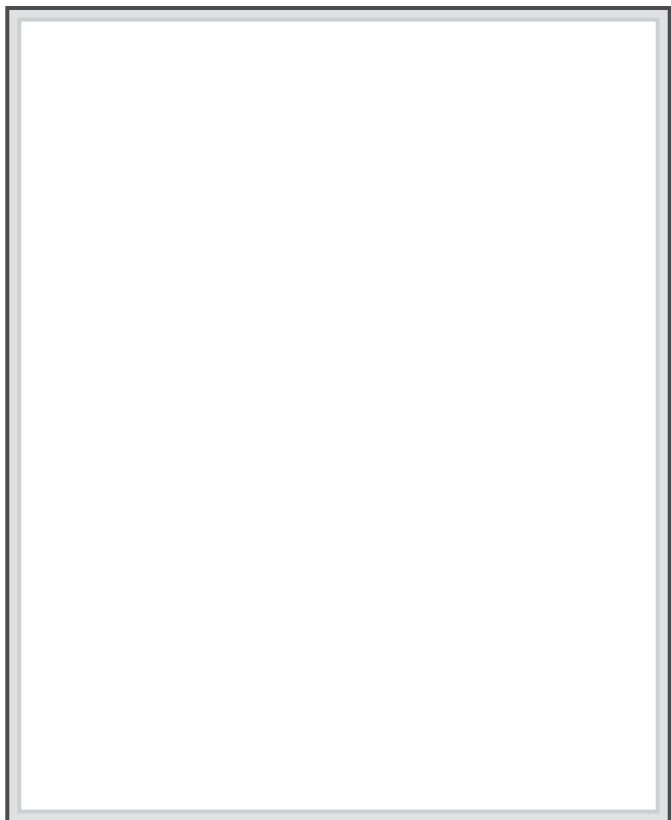
**MODEL 6202-1909-J**  
**TOP RIGHT**



4" 101.5 MM  
2 1/2" 63.5 MM  
9 3/16" 234 MM  
6 1/2" 165 MM  
Ø4 7/8" 124 MM  
3 1/8" 79.5 MM  
2 1/2" 63 MM  
4 5/8" 118 MM  
7" 178 MM  
4" 101.5 MM  
6 1/2" 165 MM  
2 7/8" 73 MM

**WEIGHT:**  
33.05 LBS / 15.01 Kg

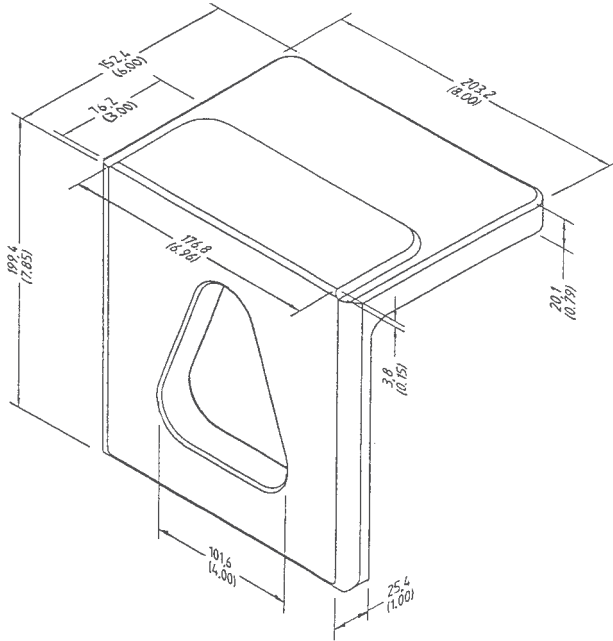
MODEL 1908-I TOP LEFT CASTING SHOWN DIMENSIONED  
THE MODEL 1909-J TOP RIGHT IS THE MIRROR OPPOSITE



# CORNER CASTINGS FOR 102" WIDE CONTAINERS

**MODEL 6202-5011-E**

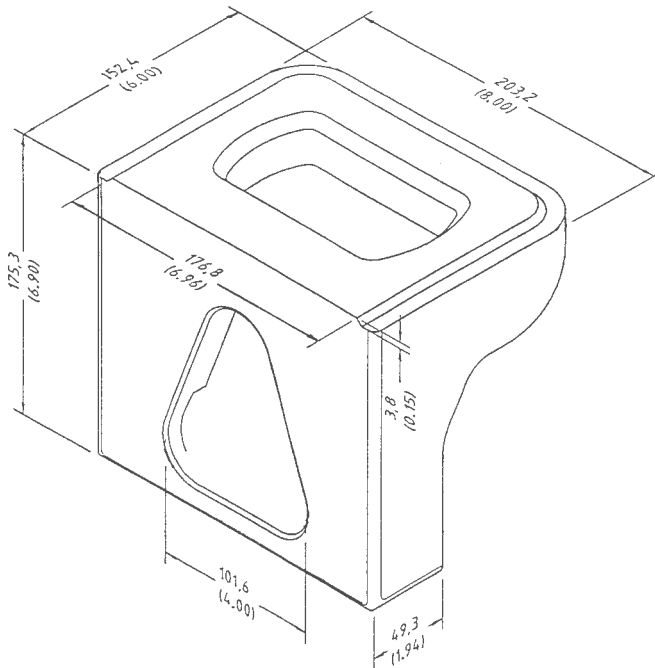
**TOP INTERMEDIATE  
PINLIFT**



**FITS:** 102 3/8" J.B. HUNT CONTAINERS  
**WEIGHT:** 23.10 LBS / 10.5 Kg

**MODEL 6202-5017-E**

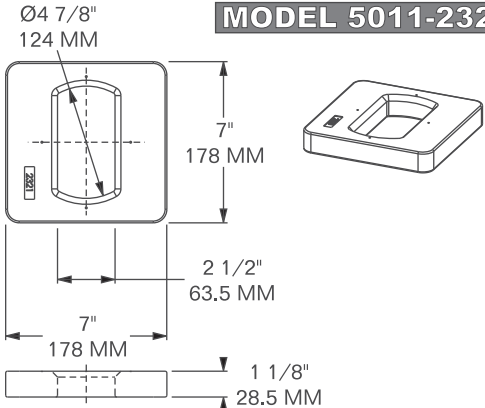
**TOP INTERMEDIATE  
WITH PINLIFT APERTURE  
SHALLOW STYLE  
FOR 96 3/8" WIDE TOP LIFT**



**FITS:** 102 3/8" J.B. HUNT CONTAINERS  
WITH WIDE LIFT  
**WEIGHT:** 27.94 LBS / 12.7 Kg

# CORNER CASTINGS FOR 102" WIDE CONTAINERS

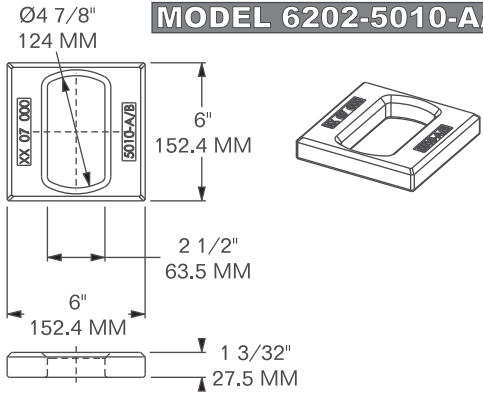
**MODEL 5011-2321**



$\text{Ø}4\ 7/8"$   
124 MM  
 7"  
178 MM  
 2 1/2"  
63.5 MM  
 7"  
178 MM  
 1 1/8"  
28.5 MM

**FITS:** 96" SPECIALS AND 102 3/8" CONTAINERS  
**MATERIAL:** CAST STEEL **WEIGHT:** 10.85 LBS / 4.92 Kg

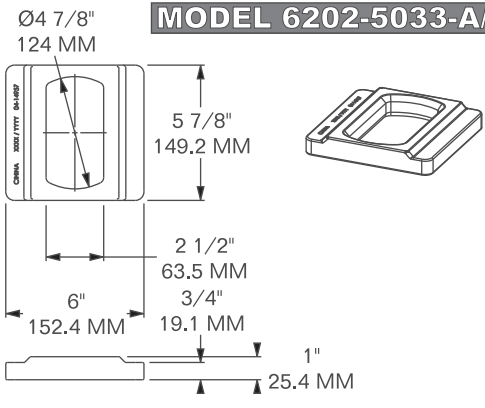
**MODEL 6202-5010-A/B**



$\text{Ø}4\ 7/8"$   
124 MM  
 6"  
152.4 MM  
 2 1/2"  
63.5 MM  
 6"  
152.4 MM  
 1 3/32"  
27.5 MM

**FITS:** HYUNDAI 53' x 102 3/8" CONTAINERS  
**MATERIAL:** CAST STEEL **WEIGHT:** 11.00 LBS / 4.99 Kg

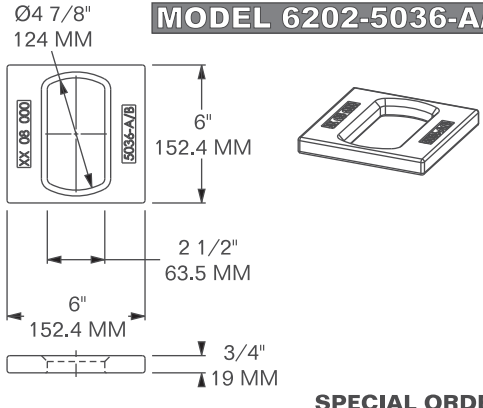
**MODEL 6202-5033-A/B**



$\text{Ø}4\ 7/8"$   
124 MM  
 5 7/8"  
149.2 MM  
 2 1/2"  
63.5 MM  
 6"  
152.4 MM  
 3/4"  
19.1 MM  
 1"  
25.4 MM

**FITS:** STOUGHTON 53' x 102 3/8" CONTAINERS  
**MATERIAL:** CAST STEEL **WEIGHT:** 3.5 LBS / 1.59 Kg

**MODEL 6202-5036-A/B**

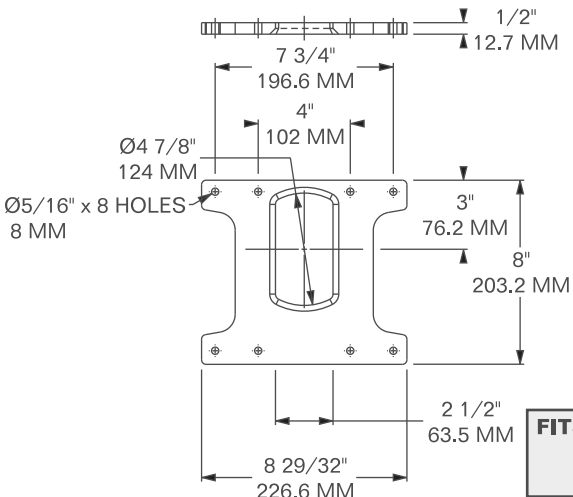


$\text{Ø}4\ 7/8"$   
124 MM  
 6"  
152.4 MM  
 2 1/2"  
63.5 MM  
 6"  
152.4 MM  
 3/4"  
19 MM

**SPECIAL ORDER**

**FITS:** HYUNDAI 53' x 102 3/8" CONTAINERS  
**MATERIAL:** CAST STEEL **WEIGHT:** 6.9 LBS / 3.13 Kg

**MODEL 6202-5037-A-B**  
**BOTTOM APERTURE SUPPORT PLATE**

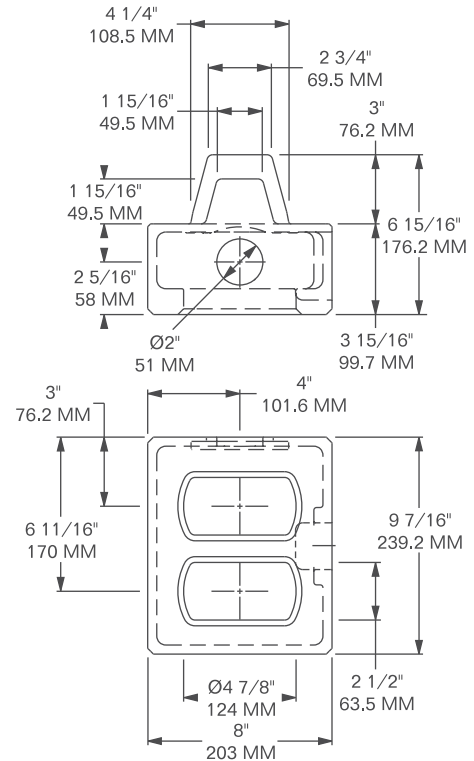


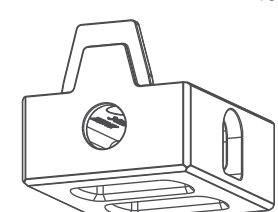
$\text{Ø}4\ 7/8"$   
124 MM  
 $\text{Ø}5/16" \times 8$  HOLES  
8 MM  
 7 3/4"  
196.6 MM  
 4"  
102 MM  
 3"  
76.2 MM  
 8"  
203.2 MM  
 2 1/2"  
63.5 MM  
 8 29/32"  
226.6 MM  
 1/2"  
12.7 MM

**FITS:** HYUNDAI 53' x 102 3/8" CONTAINERS  
**MATERIAL:** CAST STEEL  
**WEIGHT:** 6.1 LBS / 2.77 Kg

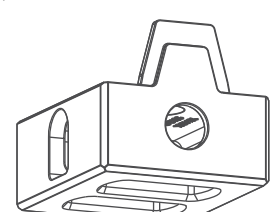
# CORNER CASTINGS FOR 102" WIDE CONTAINERS

**MODEL 6202-5013-C/D**  
**DOUBLE APERTURE**  
**BOTTOM INTERMEDIATE**  
**SHALLOW STYLE**





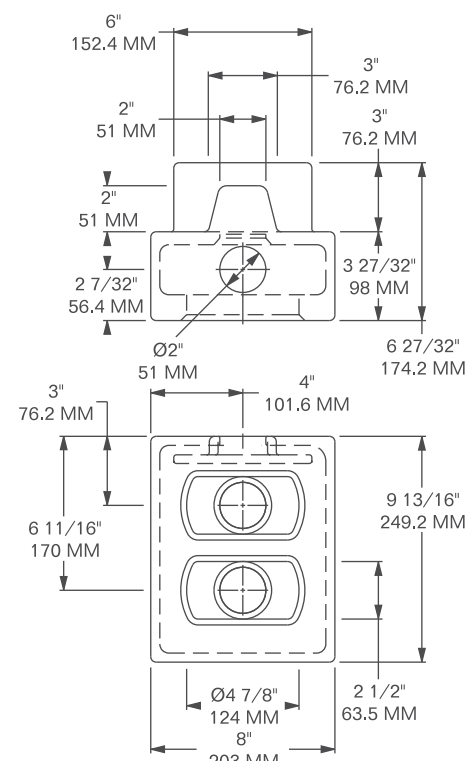
**6202-5013-C**  
BOTTOM LEFT



**6202-5013-D**  
BOTTOM RIGHT

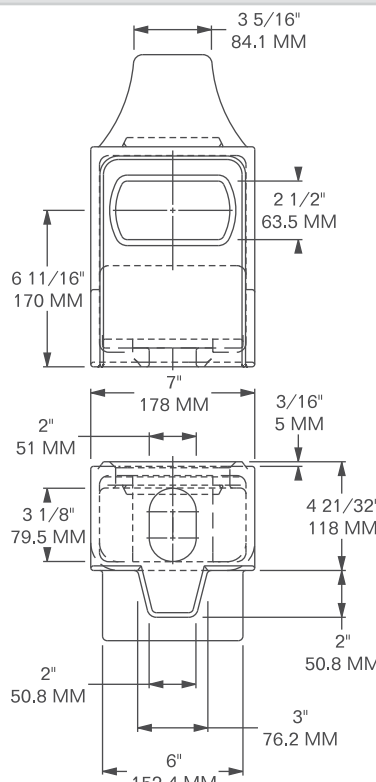
**FITS:** CIMC & J.B. HUNT 53' x 102 3/8" CONTAINERS  
**MATERIAL:** CAST STEEL **WEIGHT:** 30.0 LBS / 13.6 Kg

**MODEL 6202-5015-C/D**  
**DOUBLE APERTURE**  
**BOTTOM INTERMEDIATE**  
**SHALLOW STYLE**  
**NON-HANDED**



**FITS:** HYUNDAI 53' x 102 3/8" CONTAINERS  
**MATERIAL:** CAST STEEL  
**WEIGHT:** 31.5 LBS / 14.3 Kg

# CORNER CASTINGS FOR 102" WIDE CONTAINERS



3 5/16"  
84.1 MM

6 11/16"  
170 MM

2 1/2"  
63.5 MM

7"  
178 MM

2"  
51 MM

3 1/8"  
79.5 MM

3/16"  
5 MM

4 21/32"  
118 MM

2"  
50.8 MM

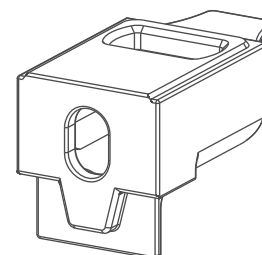
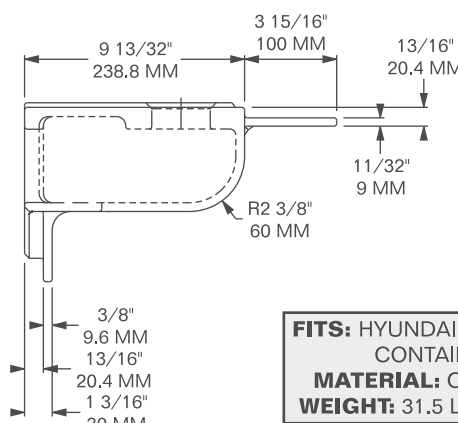
2"  
50.8 MM

3"  
76.2 MM

6"  
152.4 MM

**MODEL 6202-5018-E**

**TOP INTERMEDIATE  
WITH STANDARD 89"  
C/C TOP LIFT APERTURE**

9 13/32"  
238.8 MM

3 15/16"  
100 MM

13/16"  
20.4 MM

11/32"  
9 MM

R2 3/8"  
60 MM

3/8"  
9.6 MM

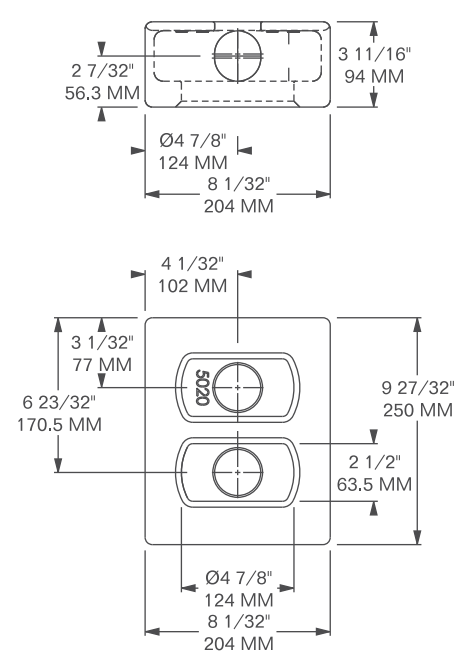
13/16"  
20.4 MM

1 3/16"  
30 MM

**FITS: HYUNDAI 53' x 102 3/8"**  
**CONTAINERS**

**MATERIAL: CAST STEEL**

**WEIGHT: 31.5 LBS / 14.3 Kg**



2 7/32"  
56.3 MM

3 11/16"  
94 MM

Ø4 7/8"  
124 MM

8 1/32"  
204 MM

4 1/32"  
102 MM

3 1/32"  
77 MM

6 23/32"  
170.5 MM

9 27/32"  
250 MM

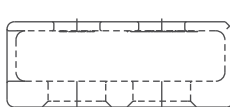
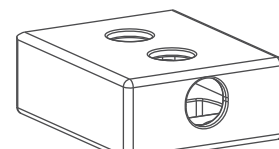
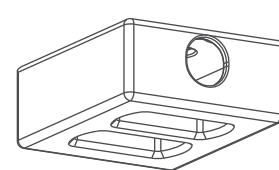
2 1/2"  
63.5 MM

Ø4 7/8"  
124 MM

8 1/32"  
204 MM

**MODEL 6202-5020-C/D**

**DOUBLE APERTURE  
BOTTOM INTERMEDIATE  
SHALLOW STYLE**

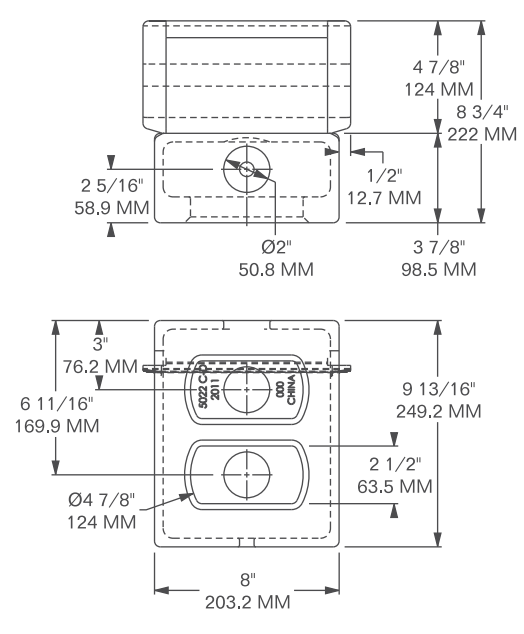




**FITS: 102 3/8" CONTAINERS**

**MATERIAL: CAST STEEL**

**WEIGHT: 31.5 LBS / 14.29 Kg**

# CORNER CASTINGS FOR 102" WIDE CONTAINERS

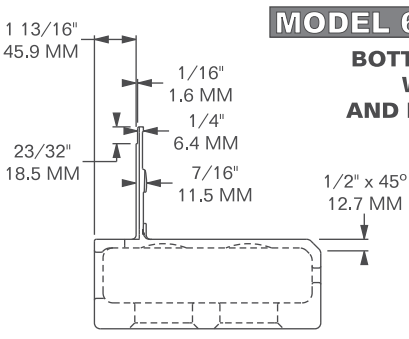


Top View Dimensions:  
 Total Width: 8" (203.2 MM)  
 Aperture Width:  $\text{Ø}4\ 7/8"$  (124 MM)  
 Aperture Height: 2 1/2" (63.5 MM)  
 Total Height: 9 13/16" (249.2 MM)  
 Flange Height: 3" (76.2 MM)  
 Flange Width: 6 11/16" (169.9 MM)

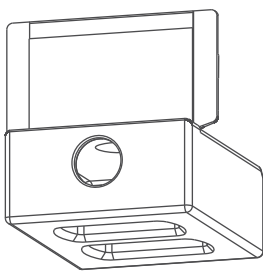
Side View Dimensions:  
 Total Height: 4 7/8" (124 MM)  
 Flange Height: 8 3/4" (222 MM)  
 Aperture Height: 1 1/2" (12.7 MM)  
 Aperture Width: 3 7/8" (98.5 MM)  
 Flange Width: 2 5/16" (58.9 MM)

**MODEL 6202-5022-C/D**

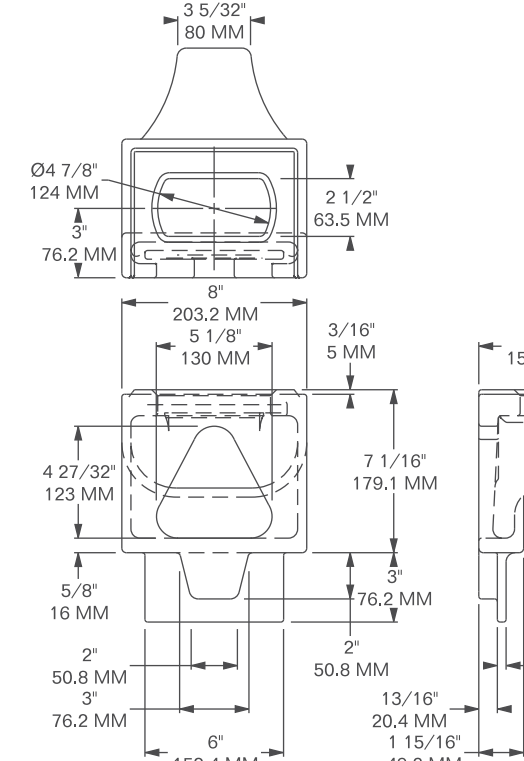
**BOTTOM INTERMEDIATE  
WITH WELD FLANGE  
AND DOUBLE APERTURE**



Side View Dimensions:  
 Total Height: 1 13/16" (45.9 MM)  
 Flange Height: 23/32" (18.5 MM)  
 Flange Width: 1 1/16" (1.6 MM)  
 Aperture Height: 1/4" (6.4 MM)  
 Aperture Width: 7/16" (11.5 MM)  
 Flange Angle: 1/2" x 45° (12.7 MM)



**FITS:** WABASH 53' x 102 3/8" CONTAINERS  
**MATERIAL:** CAST STEEL  
**WEIGHT:** 37.45 LBS / 17.0 Kg



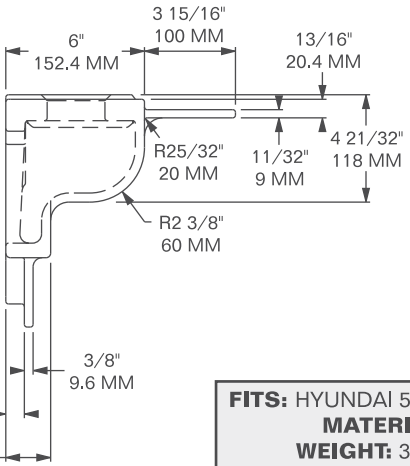
Top View Dimensions:  
 Total Width: 8" (203.2 MM)  
 Aperture Width:  $\text{Ø}4\ 7/8"$  (124 MM)  
 Aperture Height: 2 1/2" (63.5 MM)  
 Flange Height: 3" (76.2 MM)

Side View Dimensions:  
 Total Height: 7 1/16" (179.1 MM)  
 Flange Height: 4 27/32" (123 MM)  
 Flange Width: 5 1/8" (130 MM)  
 Aperture Height: 3" (76.2 MM)  
 Aperture Width: 6" (152.4 MM)  
 Flange Width: 5 1/8" (130 MM)  
 Flange Thickness: 3/16" (5 MM)

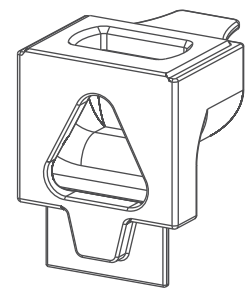
Bottom View Dimensions:  
 Total Width: 6" (152.4 MM)  
 Aperture Width: 3 5/32" (80 MM)  
 Aperture Height: 5/8" (16 MM)  
 Flange Height: 2" (50.8 MM)  
 Flange Width: 3" (76.2 MM)  
 Flange Thickness: 2" (50.8 MM)  
 Aperture Height: 13/16" (20.4 MM)  
 Aperture Width: 1 15/16" (49.3 MM)

**MODEL 6202-5026-E**

**TOP INTERMEDIATE  
WITH PINLIFT APERTURE AND  
96 3/8" WIDE TOP LIFT APERTURE**



Side View Dimensions:  
 Total Height: 6" (152.4 MM)  
 Flange Height: 3 15/16" (100 MM)  
 Flange Width: 13/16" (20.4 MM)  
 Aperture Height: 4 21/32" (118 MM)  
 Aperture Width: 11/32" (9 MM)  
 Flange Thickness: R25/32" (20 MM)  
 Flange Thickness: R2 3/8" (60 MM)  
 Flange Width: 3/8" (9.6 MM)

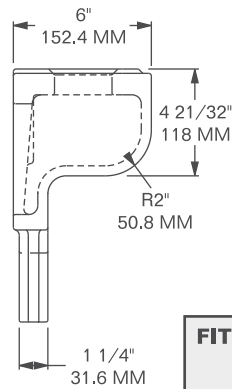
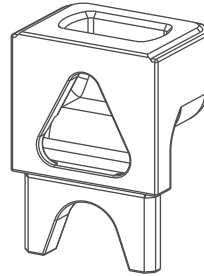
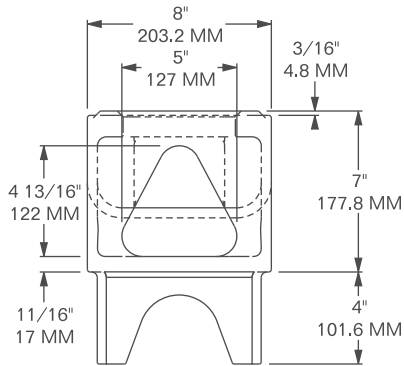
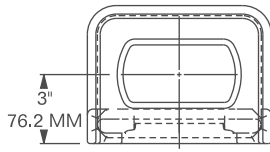


**FITS:** HYUNDAI 53' x 102 3/8" CONTAINERS  
**MATERIAL:** CAST STEEL  
**WEIGHT:** 32.25 LBS / 14.63 Kg

# CORNER CASTINGS FOR 102" WIDE CONTAINERS

**MODEL 6202-5028-E**

**TOP INTERMEDIATE  
WITH PINLIFT APERTURE  
FOR 96 3/8" WIDE TOP LIFT**

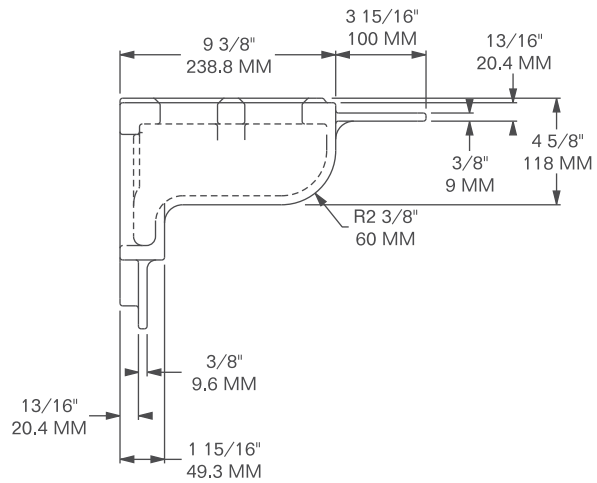
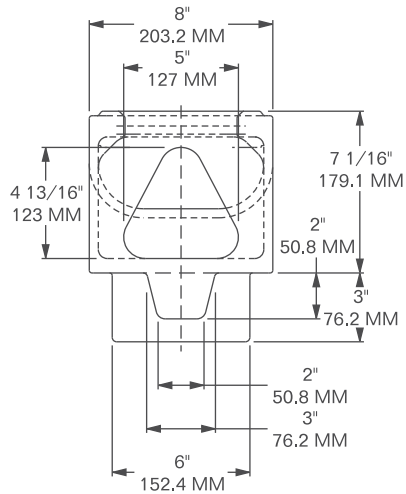
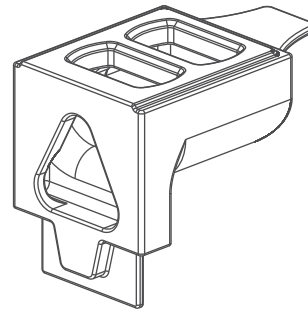
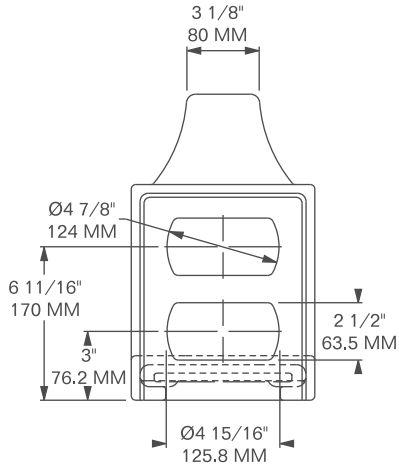


**FITS:** WABASH 53' x 102 3/8" CONTAINERS  
**MATERIAL:** CAST STEEL  
**WEIGHT:** 35.9 LBS / 16.3 Kg

# CORNER CASTINGS FOR 102" WIDE CONTAINERS

**MODEL 6202-5029-E**

**TOP INTERMEDIATE  
DOUBLE APERTURE  
WITH PINLIFT APERTURE**



**SPECIAL ORDER**

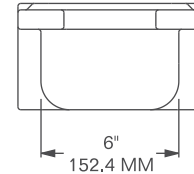
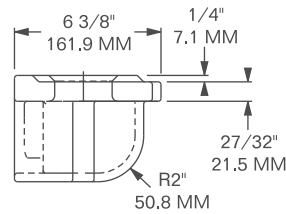
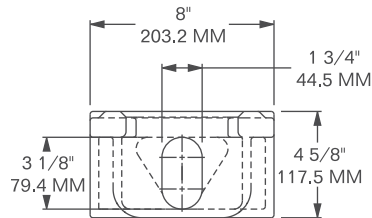
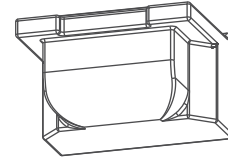
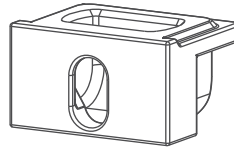
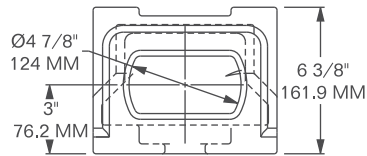
**FITS:** 102 3/8" WIDE CONTAINER  
**MATERIAL:** CAST STEEL  
**WEIGHT:** 42.0 LBS / 19.05 Kg



# CORNER CASTINGS FOR 102" WIDE CONTAINERS

## MODEL 6202-5031-E

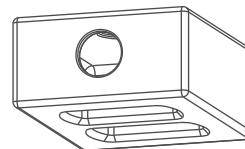
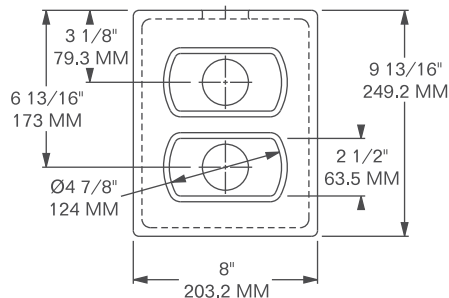
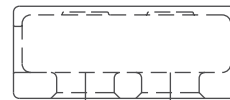
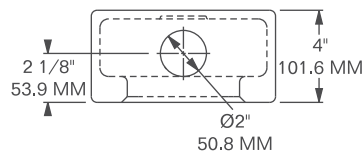
**TOP INTERMEDIATE  
FOR 96 3/8" WIDE TOP LIFT**



**FITS:** STOUGHTON 53' x 102 3/8" CONTAINERS  
**MATERIAL:** CAST STEEL  
**WEIGHT:** 26.5 LBS / 12.02 Kg

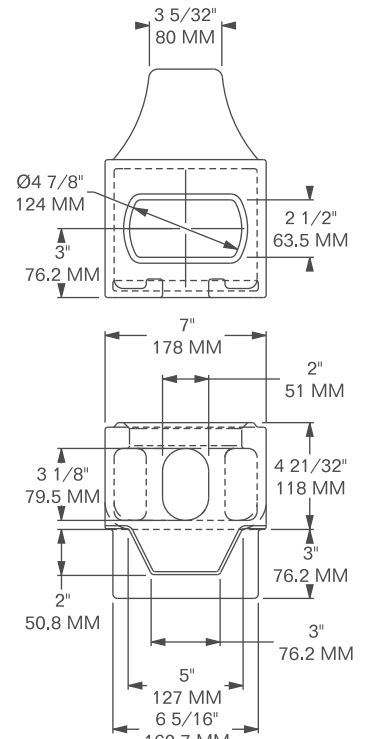
## MODEL 6202-5032-C/D

**BOTTOM INTERMEDIATE  
DOUBLE APERTURE**



**FITS:** STOUGHTON 53' x 102 3/8" CONTAINERS  
**MATERIAL:** CAST STEEL  
**WEIGHT:** 34.0 LBS / 15.42 Kg

# CORNER CASTINGS FOR 102" WIDE CONTAINERS

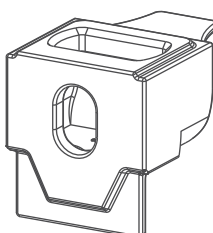


Technical drawings for Model 6202-5034-E showing top, front, and side views with dimensions in inches and millimeters.

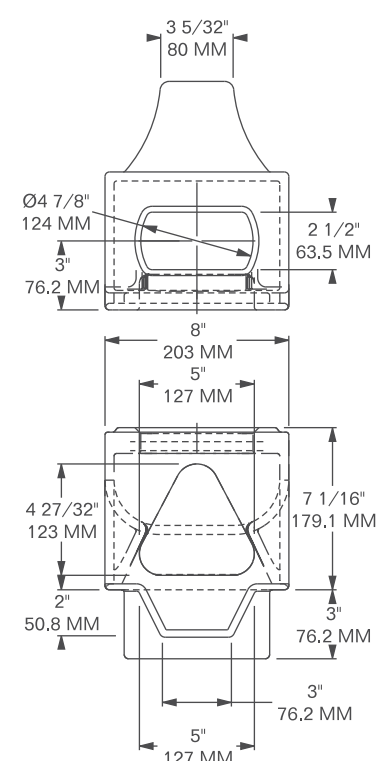
- Top View:  $3 \frac{5}{32}$ " (80 MM) width,  $\text{Ø}4 \frac{7}{8}$ " (124 MM) hole diameter, 2 1/2" (63.5 MM) hole offset, 3" (76.2 MM) hole depth, 7" (178 MM) total width, 51 MM hole spacing, 3 1/8" (79.5 MM) hole offset, 4 21/32" (118 MM) hole offset, 2" (50.8 MM) hole depth, 3" (76.2 MM) hole depth, 5" (127 MM) hole spacing, 6 5/16" (160.7 MM) total width.
- Front View: 7" (178 MM) total width, 2" (51 MM) hole spacing, 3 1/8" (79.5 MM) hole offset, 4 21/32" (118 MM) hole offset, 3" (76.2 MM) hole depth, 2" (50.8 MM) hole depth, 3" (76.2 MM) hole depth, 5" (127 MM) hole spacing, 6 5/16" (160.7 MM) total width.
- Side View: 6" (152.4 MM) total width, 3 15/16" (100 MM) hole offset, 11/32" (9 MM) hole offset, 13/16" (20.4 MM) hole offset, R2 3/8" (60 MM) radius, 9/32" (7.3 MM) hole offset, 3/4" (18.8 MM) hole offset.

**MODEL 6202-5034-E**

**TOP INTERMEDIATE  
FOR 96 3/8" WIDE TOP LIFT  
WITH WELD FLANGES**



**FITS:** HYUNDAI 53' x 102 3/8" CONTAINERS  
**MATERIAL:** CAST STEEL  
**WEIGHT:** 25.8 LBS / 11.7 Kg

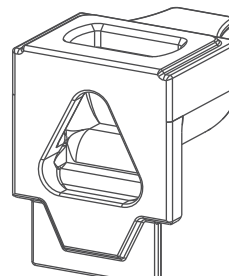


Technical drawings for Model 6202-5035-E showing top, front, and side views with dimensions in inches and millimeters.

- Top View:  $3 \frac{5}{32}$ " (80 MM) width,  $\text{Ø}4 \frac{7}{8}$ " (124 MM) hole diameter, 2 1/2" (63.5 MM) hole offset, 3" (76.2 MM) hole depth, 8" (203 MM) total width, 5" (127 MM) hole spacing, 4 27/32" (123 MM) hole offset, 7 1/16" (179.1 MM) hole offset, 2" (50.8 MM) hole depth, 3" (76.2 MM) hole depth, 5" (127 MM) hole spacing, 127 MM total width.
- Front View: 8" (203 MM) total width, 5" (127 MM) hole spacing, 4 27/32" (123 MM) hole offset, 7 1/16" (179.1 MM) hole offset, 2" (50.8 MM) hole depth, 3" (76.2 MM) hole depth, 5" (127 MM) hole spacing, 127 MM total width.
- Side View: 3 15/16" (100 MM) hole offset, 11/32" (9 MM) hole offset, 11/32" (9 MM) hole offset, 3" (76.2 MM) hole offset, 9/32" (7.3 MM) hole offset, 3/4" (18.8 MM) hole offset.

**MODEL 6202-5035-E**

**TOP INTERMEDIATE  
FOR 96 3/8" WIDE TOP LIFT  
AND PIN LIFT  
WITH WELD FLANGES**

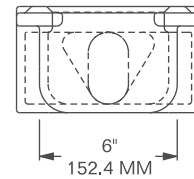
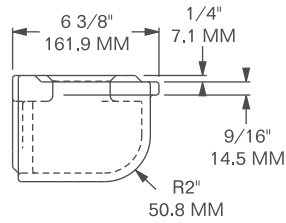
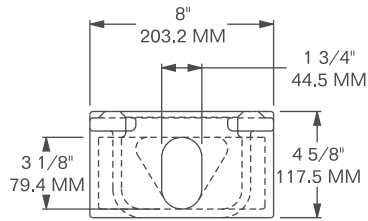
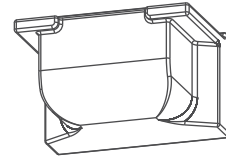
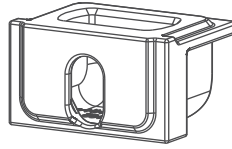
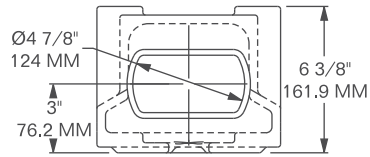


**FITS:** HYUNDAI 53' x 102 3/8" CONTAINERS  
**MATERIAL:** CAST STEEL  
**WEIGHT:** 33.4 LBS / 15.15 Kg

# CORNER CASTINGS FOR 102" WIDE CONTAINERS

**MODEL 6202-5042-E**

**TOP INTERMEDIATE  
FOR 96 3/8" WIDE TOP LIFT**

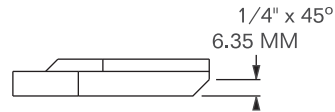
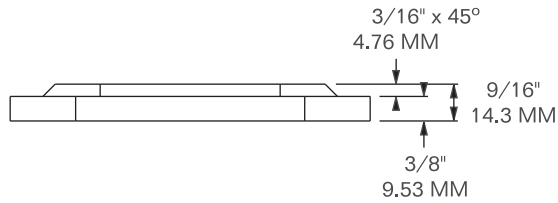
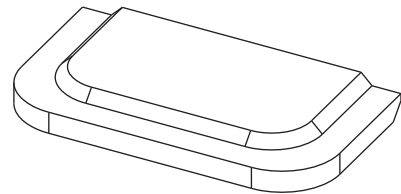
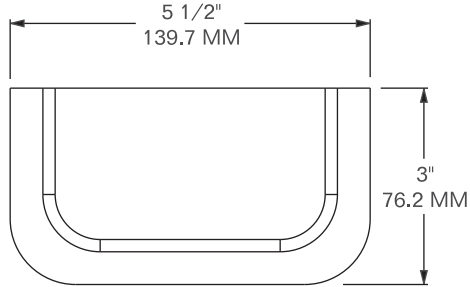


**FITS:** STOUGHTON 53' x 102 3/8" CONTAINERS  
**MATERIAL:** CAST STEEL  
**WEIGHT:** 35.3 LBS / 16.01 Kg

# CORNER CASTINGS FOR 102" WIDE CONTAINERS

**MODEL 6202-6308**

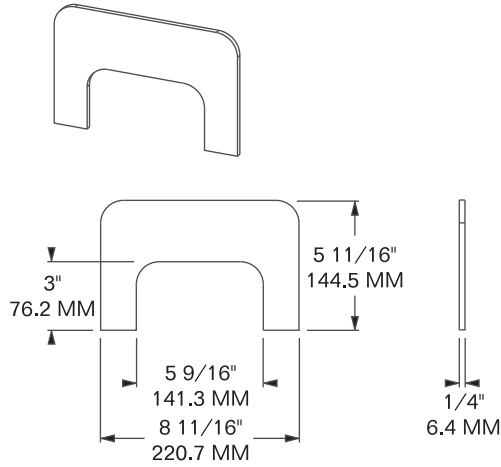
**WELD FLANGE CASTING  
FOR STACKING POST**



**FITS:** STOUGHTON 102" CONTAINERS  
**MATERIAL:** WELDABLE STEEL CASTING  
**WEIGHT:** 2.2 LBS / 0.9 Kg

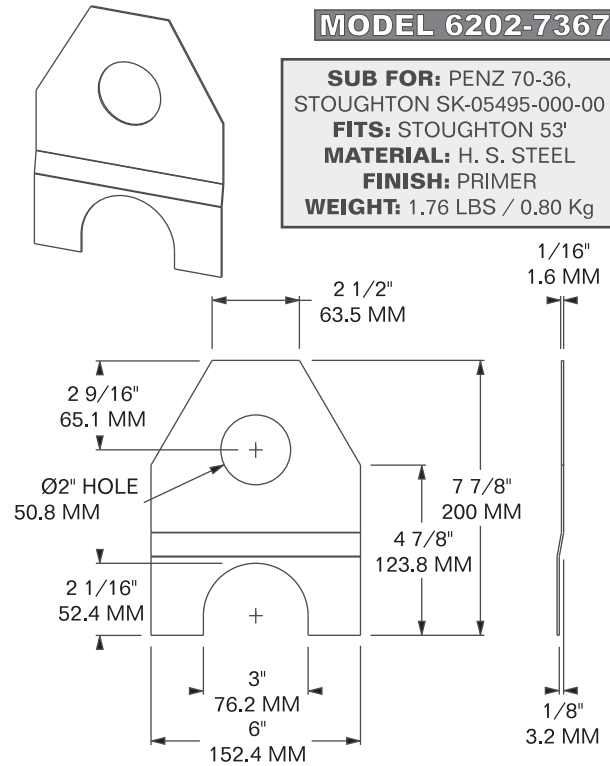
# REINFORCING PLATES FOR 102" CONTAINERS

**MODEL 6202-7366**

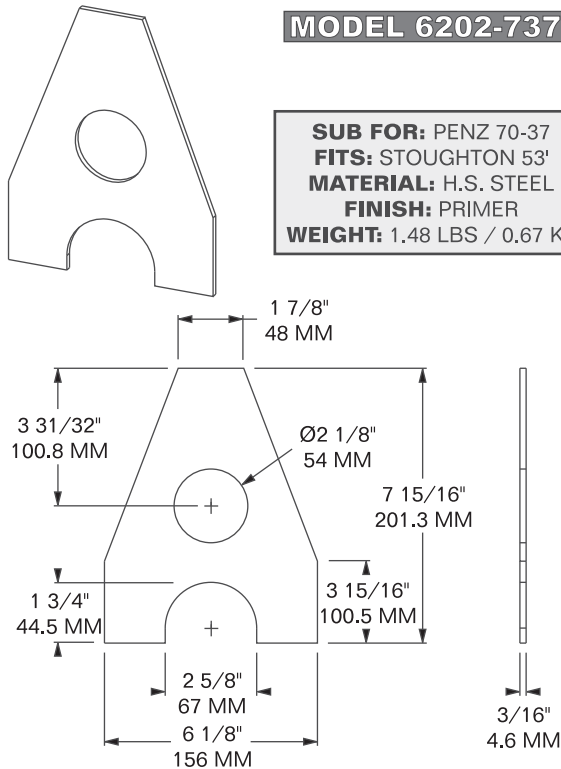


**SUB FOR:** PENZ 70-35,  
STOUGHTON SK-04946-000-00  
**FITS:** STOUGHTON 53'  
**MATERIAL:** H.S. STEEL  
**FINISH:** PRIMER  
**WEIGHT:** 2.35 LBS / 1.06 Kg

**MODEL 6202-7367**

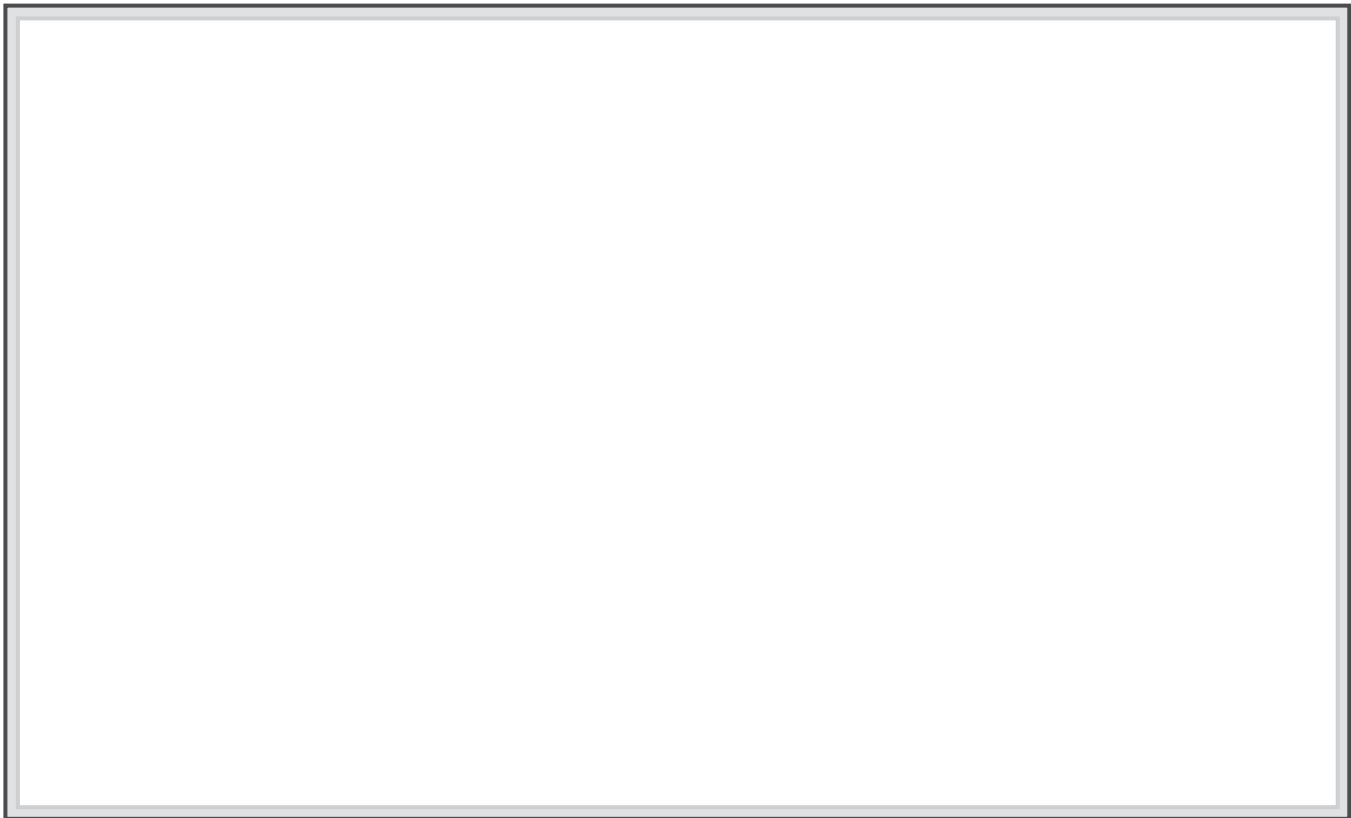
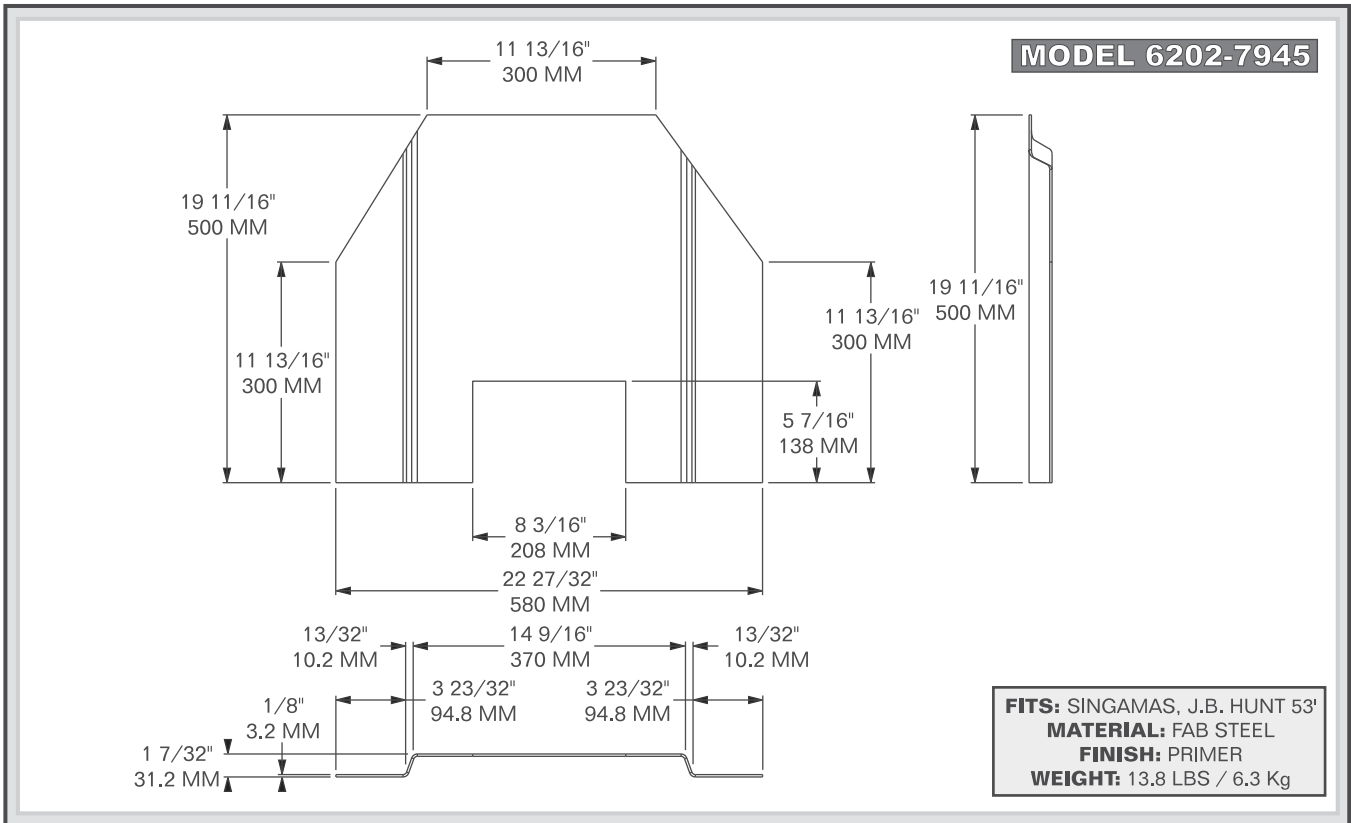


**MODEL 6202-7379**

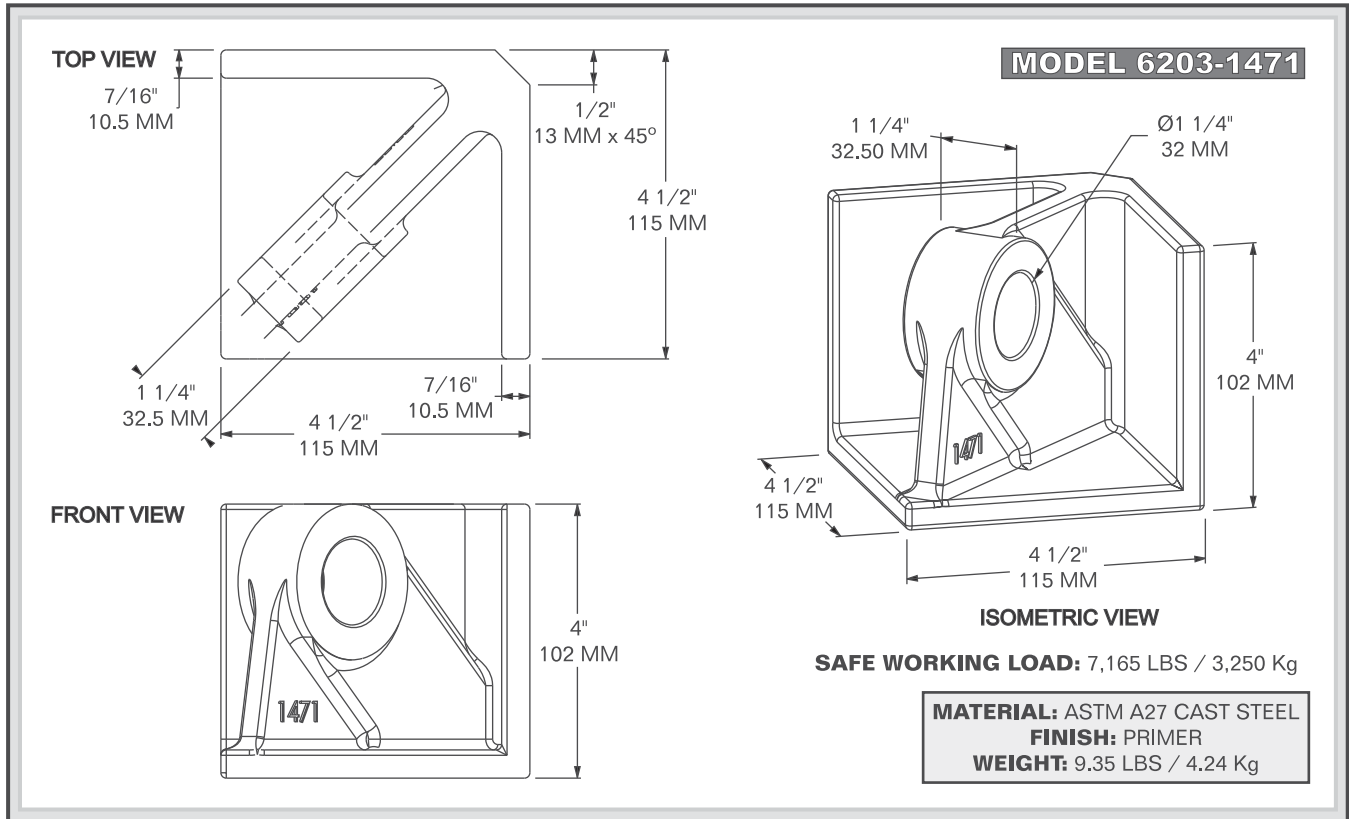


**SUB FOR:** PENZ 70-37  
**FITS:** STOUGHTON 53'  
**MATERIAL:** H.S. STEEL  
**FINISH:** PRIMER  
**WEIGHT:** 1.48 LBS / 0.67 Kg

# REINFORCING PLATES FOR 102" CONTAINERS



# MINI BOX CORNER FITTING WITH HOLE FOR LIFT SHACKLE





# NEW LIFE

## TRANSPORT PARTS CENTER



LOCATION	Phone Number	Local Number	Fax Number
Atlanta, GA	1-800-748-7911	404-244-1965	404-244-1973
Chicago, IL	1-800-968-9777	708-563-1500	708-563-1541
Dallas, TX	1-800-772-5362	214-638-3646	214-631-0124
Fargo, ND	1-888-282-0882	701-282-0880	701-282-6894
Grand Rapids, MI	1-800-748-0555	616-878-3633	800-530-9666
Milwaukee, WI	1-800-506-0861	262-373-0736	262-373-0808
Minneapolis, MN	1-800-688-3154	651-209-7300	651-645-3306

BRING "NEW LIFE" TO YOUR TRANSPORT EQUIPMENT  
[www.newlifeparts.com](http://www.newlifeparts.com)

# YOUR INTERMODAL SOURCE

<b>ABEX</b>	Lining
<b>ACCURIDE</b>	Wheels/Rims
<b>AMERICAN FORGE</b>	Shop Equipment
<b>BENDIX</b>	Air Brake Parts, Compressors
<b>BETTS SPRING</b>	Mud Flap Holders
<b>BETTS INDUSTRIES</b>	Lights, Sealed Systems
<b>CARLISLE</b>	Friction Material
<b>CYCLO</b>	Aerosol Chemicals
<b>EUCLID</b>	Brake Foundation Parts
<b>FEDERAL MOGUL</b>	Powertrain, Braking Seals and Safety
<b>FLEET ENGINEERS</b>	Mud Flaps Hangers
<b>FLEETCRAFT</b>	Door Hardware, BrakeParts, Landing Gear, Wheel Parts, Electrical
<b>FONTAINE</b>	Stationary & Air Slide 5th Wheels
<b>GRANNING-TUTHILL</b>	Suspensions
<b>GROTE</b>	Lighting & Mirrors
<b>HALDEX MIDLAND</b>	Air Brake Parts, Compressors, Air Dryers, Electrical
<b>HENDRICKSON</b>	Truck & Trailer Susp./Axles
<b>HOLLAND/SAF HOLLAND</b>	Fifth Wheels, Susp.,King Pins, Coupling, Trailer Support Legs
<b>HUTCHENS</b>	Suspensions, Sliders
<b>JUST</b>	King Pins, Landing Gear, 5th Wheels
<b>KEY POLYMER</b>	Trailer Floor Treatments
<b>KIC</b>	Hubs and Drums
<b>KINEDYNE</b>	Cargo Control Products



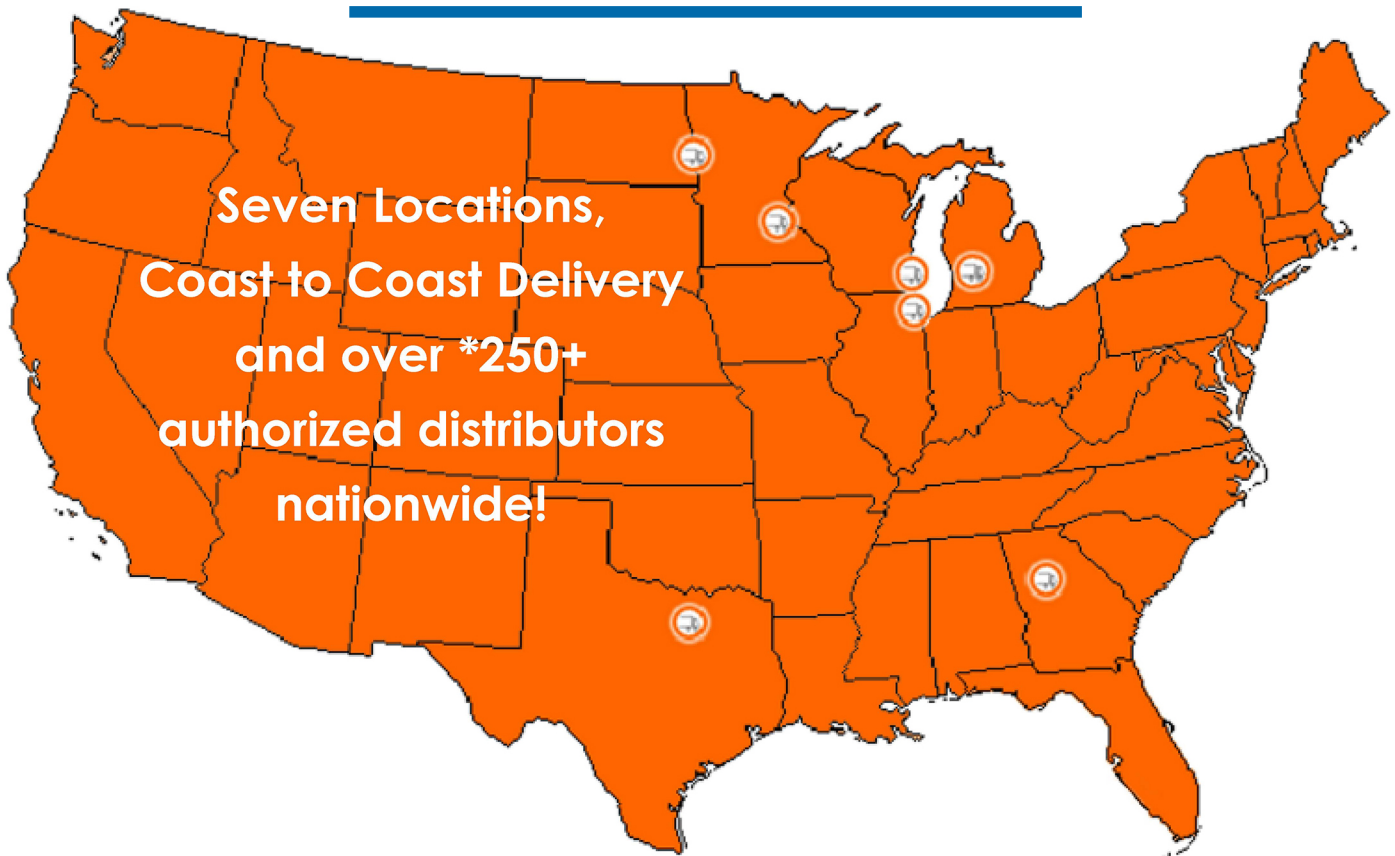
<b>LABELMASTER</b>	Placards
<b>MANUS</b>	Caulkings & Sealants
<b>MERITOR</b>	Axles, Axle Parts, Q-Plus Brakes, Automatic Slack Adjusters, Front End Parts
<b>MGM</b>	Spring Brakes
<b>MYSTIK</b>	Lubricants
<b>PARKER</b>	Fittings & Hoses
<b>PENRAY</b>	Coolant System Conditioners & Fuel Treatments
<b>PETERSON MFG</b>	Lighting Systems & Accessories
<b>PHILLIPS</b>	Wire & Cable, Plugs & Receptacles
<b>SEALCO</b>	Air Controls
<b>SIMPLEX-CONMET</b>	Fifth Wheel Parts
<b>SKF</b>	Wheel Seals,Bearings
<b>SPRAY PRODUCTS</b>	Spray Paints
<b>STEMCO</b>	Friction, Hubos,Oil Seals, Bearings
<b>TARGET-TECH</b>	Strobes, Back-Up Alarms
<b>TIMKEN</b>	Bearings
<b>TRAILER BODY PARTS</b>	
<b>TRAILER FLOORING</b>	Laminated, Apitong
<b>TRUCK-LITE</b>	Lighting Products
<b>VEEDER-ROOT</b>	Hubodometers
<b>VELVAC</b>	Truck Products
<b>WEBB</b>	Hubs & Drums



# IANA



# MEMBER



Seven Locations,  
Coast to Coast Delivery  
and over \*250+  
authorized distributors  
nationwide!



**NEW LIFE**  
TRANSPORT PARTS CENTER

LOCATION	Phone Number
Atlanta, GA	1-800-748-7911
Chicago, IL	1-800-968-9777
Dallas, TX	1-800-772-5362
Fargo, ND	1-888-282-0882
Grand Rapids, MI	1-800-748-0555
Milwaukee, WI	1-800-506-0861
Minneapolis, MN	1-800-688-3154



BRING "NEW LIFE" TO YOUR TRANSPORT EQUIPMENT!  
[www.newlifeparts.com](http://www.newlifeparts.com)

